

I/O module - IB ST 24 DO32/2 - 2754325

Please be informed that the data shown in this PDF Document is generated from our Online Catalog. Please find the complete data in the user's documentation. Our General Terms of Use for Downloads are valid (<http://download.phoenixcontact.com>)



INTERBUS-ST digital output module, 32 outputs, 24 V DC, 500 mA, 2-wire connection method, IP20 protection, consisting of: Terminal part with screw connection and module electronics

The illustration shows version IB ST 24 BDO 32/2

Product Description

INTERBUS ST digital output modules The digital INTERBUS output modules are designed for the connection of digital actuators, such as electromechanical valves, contactors or lamps. In addition to the standard IB ST 24 BDO modules, the range is rounded off by modules with extended functionality. The scope of functions provided by the standard models covers the majority of applications. On top of this, several modules provide additional electronic functions, such as: - Output channels in up to four electrically isolated groups - Separate electronic short-circuit protection for each output channel - Higher output current, which are needed in individual applications. All the typical advantages of INTERBUS-ST handling, such as multi-wire connection methods and plug-in electronics are provided by both product lines.

Product Features

- 32 digital outputs
- Connection of actuators in 2-wire technology
- Nominal current per output: 500 mA
- Total current of the terminal: 8 A
- Diagnostic and status indicators

Key commercial data

package_quantity	1
GTIN	4017918063085

Technical data

Note

Utilization restriction	EMC: class A product, see manufacturer's declaration in the download area
--------------------------------	---

Dimensions

Width	118 mm
Height	117 mm
Depth	116 mm

Ambient conditions

Ambient temperature (operation)	0 °C ... 55 °C
Ambient temperature (storage/transport)	-20 °C ... 70 °C
Permissible humidity (operation)	75 % (on average, 85% infrequently, non-condensing)

I/O module - IB ST 24 DO32/2 - 2754325

Technical data

Ambient conditions

Permissible humidity (storage/transport)	75 % (on average, 85% infrequently, non-condensing)
Air pressure (operation)	86 kPa ... 108 kPa (1500 m above sea level)
Air pressure (storage/transport)	86 kPa ... 108 kPa (1500 m above sea level)
Degree of protection	IP20

Interfaces

Fieldbus system	Lokalbus
Designation	ST local bus
Connection method	ST local bus connector
Transmission speed	500 kBit/s

Digital outputs

Output name	Digital outputs
Connection method	Screw connection
Connection method	2-wire
Number of outputs	32
Protective circuit	Short-circuit protection Electronic
Maximum output current per channel	500 mA
Maximum output current per module / terminal block	8 A
Maximum output current per group	4 A
Nominal load, inductive	12 VA (1.2 H; 48 Ω)
Nominal load, lamp	12 W
Nominal load, ohmic	12 W

Power supply for module electronics

Supply voltage	24 V DC
Supply voltage range	20 V DC ... 30 V DC (including ripple)
Ripple	3.6 V _{pp} within the allowable voltage range
Current consumption	200 mA
Communications power U_L	9 V DC
Current consumption	max. 100 mA

General

Weight	790 g
Mounting type	DIN rail
Protection class	III, IEC 61140, EN 61140, VDE 0140-1
Test section	Supply voltage logic / I/O 500 V AC 50 Hz 1 min
Test section	Bus/Output groups 500 V AC 50 Hz 1 min
Test section	Output groups/Ground conductor 500 V AC 50 Hz 1 min
Test section	Output group/Output group 500 V AC 50 Hz 1 min

classifications

eCl@ss

I/O module - IB ST 24 DO32/2 - 2754325

classifications

eCl@ss

eCl@ss 4.0	27250302
eCl@ss 4.1	27250302
eCl@ss 5.0	27250302
eCl@ss 5.1	27242604
eCl@ss 6.0	27242604
eCl@ss 7.0	27242604
eCl@ss 8.0	27242604

ETIM

ETIM 2.0	EC001430
ETIM 3.0	EC001599
ETIM 4.0	EC001599
ETIM 5.0	EC001599


UNSPSC


UNSPSC 6.01	43172015
UNSPSC 7.0901	43201404
UNSPSC 11	43172015
UNSPSC 12.01	43201404
UNSPSC 13.2	43201404

approvals

UL Recognized / cUL Recognized / GOST / cULus Recognized /

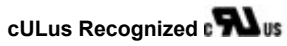
Approval details

UL Recognized 	
Nominal voltage UN	
Nominal current IN	
mm ² /AWG/kcmil	30-12

cUL Recognized 	
Nominal voltage UN	
Nominal current IN	
mm ² /AWG/kcmil	30-12

I/O module - IB ST 24 DO32/2 - 2754325

approvals



accessories

I/O component

IB STME 24 DO32/2 - 2754370



Fuse

IBS TR5 5AT - 2767383



Bridge

IB ST LBC - 2836492



EB 84 IB ST BU - 2836269



I/O module - IB ST 24 DO32/2 - 2754325

accessories

EB 84 IB ST RD - 2836272



Device parameterization

AX+ BASIC - 2985068



AX DTM LIB - 2988065



accessories

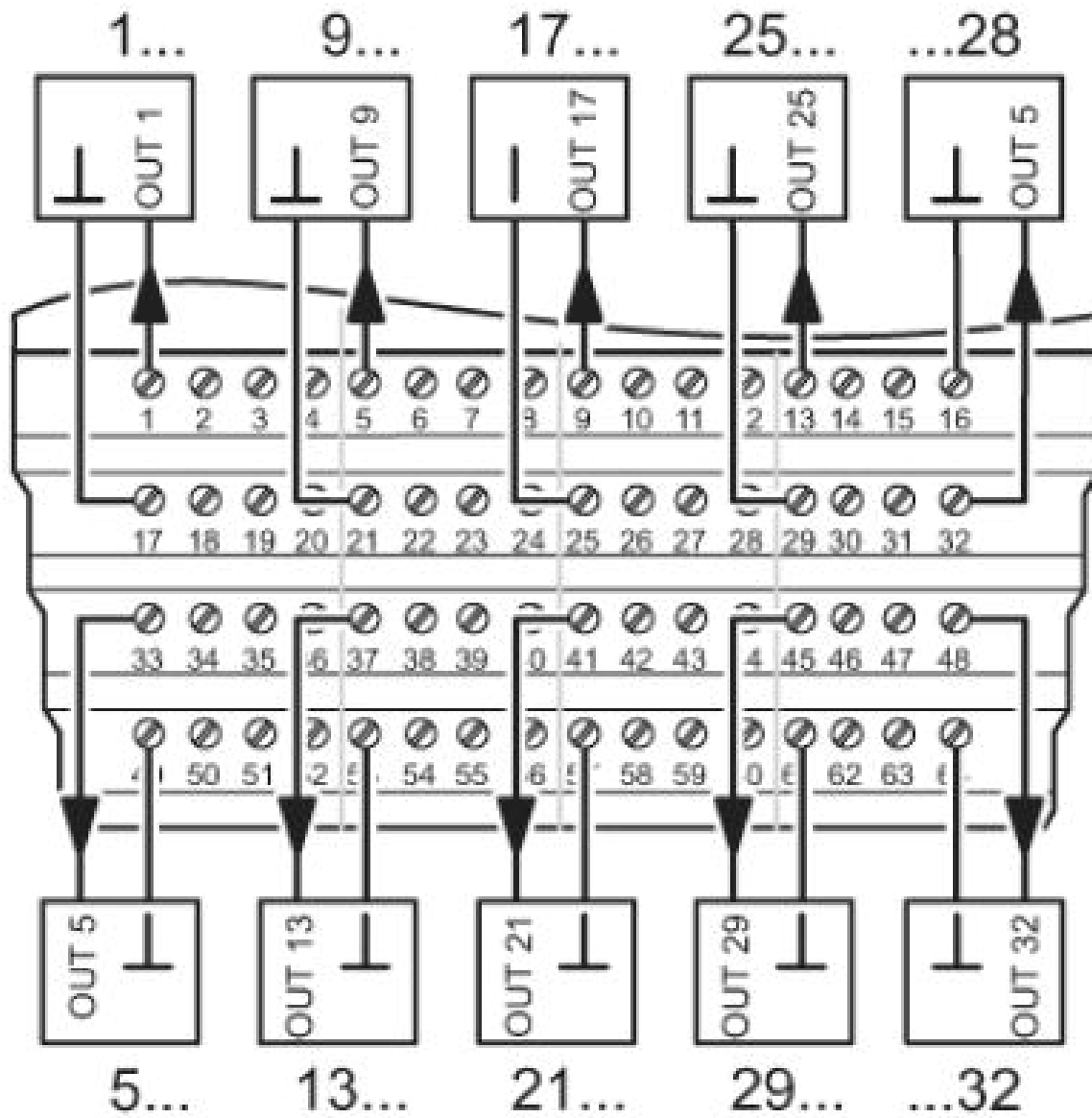
IB STTB 24 DO 32/2 - 2753038



Drawings

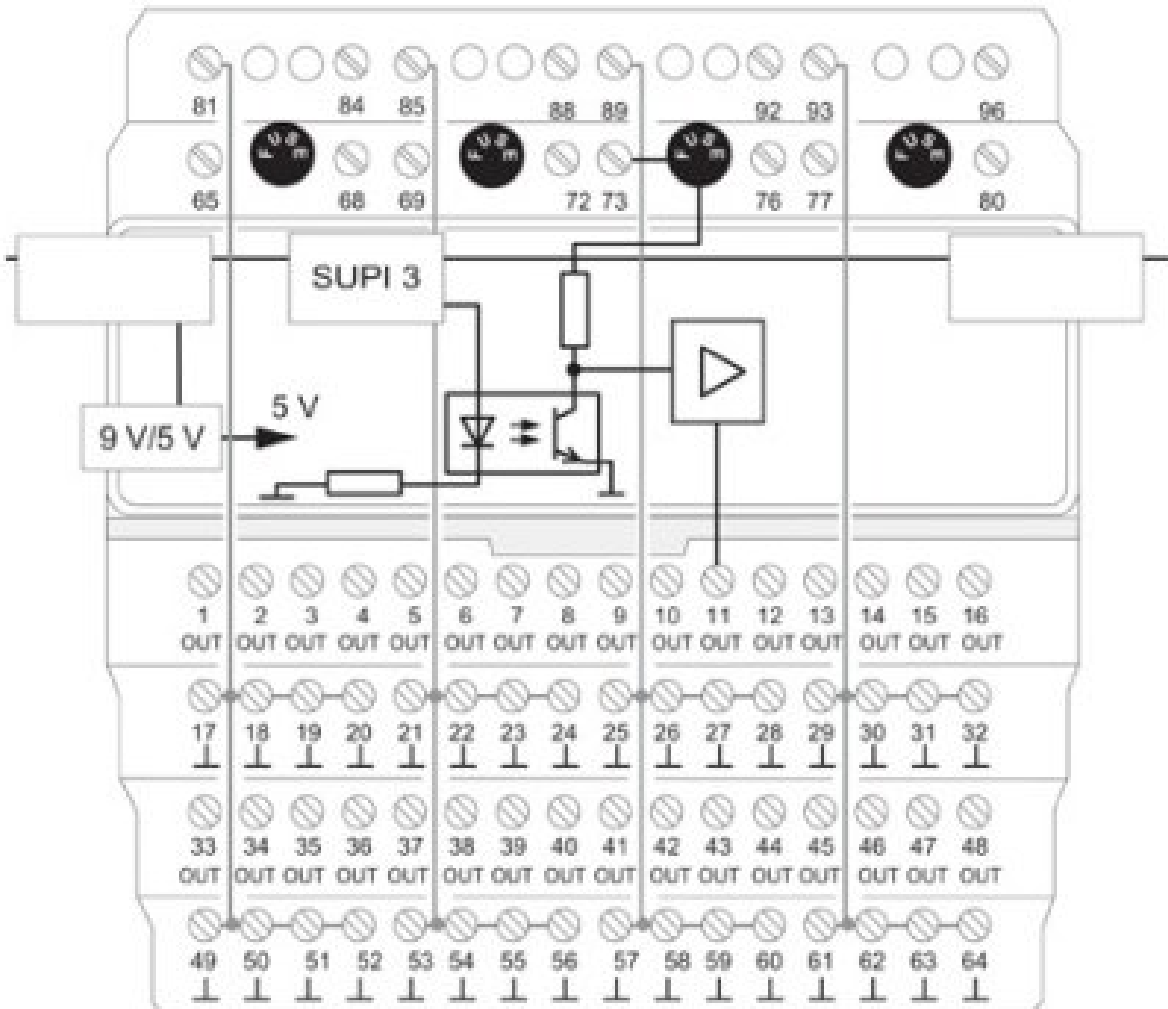
I/O module - IB ST 24 DO32/2 - 2754325

Connection diagram



I/O module - IB ST 24 DO32/2 - 2754325

Block diagram



I/O module - IB ST 24 DO32/2 - 2754325

Dimensioned drawing

