

## Extension module - PSR-SCP- 24UC/URM/5X1/2X2 - 2963747

Please be informed that the data shown in this PDF Document is generated from our Online Catalog. Please find the complete data in the user's documentation. Our General Terms of Use for Downloads are valid (<http://download.phoenixcontact.com>)



Universal safety relay with forcibly guided contacts, 5 N/O contacts, 2 N/C contacts, single-channel, plug-in terminal blocks with screw connection, width: 22.5 mm

### Product Features

- Like all PSR safety relays, equipped with forcibly guided contacts according to EN 50205
- Single-channel control



### Key commercial data

package_quantity	1
GTIN	4017918482145

### Technical data

#### Note

Utilization restriction	EMC: class A product, see manufacturer's declaration in the download area
-------------------------	---

#### Dimensions

Width	22.5 mm
Height	99 mm
Depth	114.5 mm

#### Ambient conditions

Ambient temperature (operation)	-20 °C ... 55 °C
Ambient temperature (storage/transport)	-40 °C ... 70 °C

#### Input data

Nominal input voltage $U_N$	24 V AC/DC
Input voltage range in reference to $U_N$	0.8 ... 1.1
Typical input current at $U_N$	47 mA
Typical response time	20 ms
Typical release time	20 ms
Status display	Green LED

#### Output data

Contact type	5 N/O contacts
--------------	----------------

# Extension module - PSR-SCP- 24UC/URM/5X1/2X2 - 2963747

## Technical data

### Output data

<b>Contact type</b>	2 N/C contacts
<b>Contact material</b>	AgSnO <sub>2</sub> , + 0.2 μm Au
<b>Minimum switching voltage</b>	15 V AC/DC
<b>Maximum switching voltage</b>	250 V AC/DC
<b>Limiting continuous current</b>	6 A
<b>Inrush current, minimum</b>	25 mA
<b>Maximum inrush current</b>	6 A
<b>Sq. Total current</b>	$72 A^2 (I_{TH}^2 = I_1^2 + I_2^2 + \dots + I_5^2)$
<b>Interrupting rating (ohmic load) max.</b>	144 W (24 V DC, τ = 0 ms)
<b>Interrupting rating (ohmic load) max.</b>	288 W (48 V DC, τ = 0 ms)
<b>Interrupting rating (ohmic load) max.</b>	110 W (110 V DC, τ = 0 ms)
<b>Interrupting rating (ohmic load) max.</b>	88 W (220 V DC, τ = 0 ms)
<b>Interrupting rating (ohmic load) max.</b>	1500 VA (250 V AC, τ = 0 ms)
<b>Maximum interrupting rating (inductive load)</b>	42 W (24 V DC, τ = 40 ms)
<b>Maximum interrupting rating (inductive load)</b>	42 W (48 V DC, τ = 40 ms)
<b>Maximum interrupting rating (inductive load)</b>	42 W (110 V DC, τ = 40 ms)
<b>Maximum interrupting rating (inductive load)</b>	42 W (220 V DC, τ = 40 ms)
<b>Switching capacity min.</b>	0.4 W
<b>Output fuse</b>	6 A fast blow
<b>Output fuse</b>	C6 (24 V AC/DC) automatic device

### General

<b>Relay type</b>	Electromechanically forcibly guided, dust-proof relay.
<b>Mechanical service life</b>	Approx. 10 <sup>7</sup> cycles
<b>Mounting type</b>	DIN rail mounting
<b>Degree of protection</b>	IP20
<b>Min. degree of protection of inst. location</b>	IP54
<b>Mounting position</b>	any
<b>Stop category</b>	0
<b>Designation</b>	Air and creepage distances between the power circuits
<b>Standards/regulations</b>	DIN EN 50178/VDE 0160
<b>Standards/regulations</b>	EN 50205
<b>Rated surge voltage / insulation</b>	4 kV / basic insulation
<b>Rated insulation voltage</b>	250 V
<b>Pollution degree</b>	2
<b>Surge voltage category</b>	III

### Connection data

<b>Conductor cross section solid min.</b>	0.2 mm <sup>2</sup>
<b>Conductor cross section solid max.</b>	2.5 mm <sup>2</sup>
<b>Conductor cross section stranded min.</b>	0.2 mm <sup>2</sup>
<b>Conductor cross section stranded max.</b>	2.5 mm <sup>2</sup>

# Extension module - PSR-SCP- 24UC/URM/5X1/2X2 - 2963747

## Technical data

### Connection data

Conductor cross section AWG/kcmil min.	24
Conductor cross section AWG/kcmil max	12
Stripping length	7 mm
Screw thread	M3
Connection method	Screw connection

### Safety-related characteristic data

Stop category	0
---------------	---

## classifications

### eCl@ss

eCl@ss 4.0	27371102
eCl@ss 4.1	27371102
eCl@ss 5.0	27371901
eCl@ss 5.1	27371901
eCl@ss 6.0	27371819
eCl@ss 7.0	27371819
eCl@ss 8.0	27371819

### ETIM

ETIM 2.0	EC000196
ETIM 3.0	EC001449
ETIM 4.0	EC001449
ETIM 5.0	EC001449

### UNSPSC

UNSPSC 6.01	30211901
UNSPSC 7.0901	39121501
UNSPSC 11	39121501
UNSPSC 12.01	39121501
UNSPSC 13.2	39121501

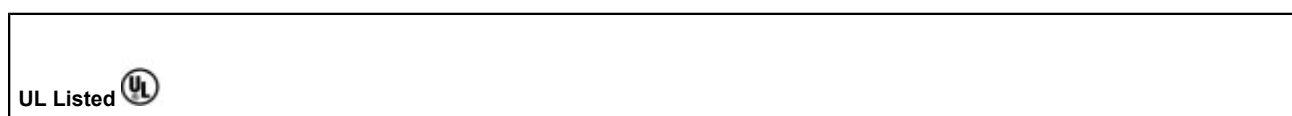
## approvals

---

UL Listed / GOST / cUL Listed / UL Listed / GOST / cUL Listed / cULus Listed /

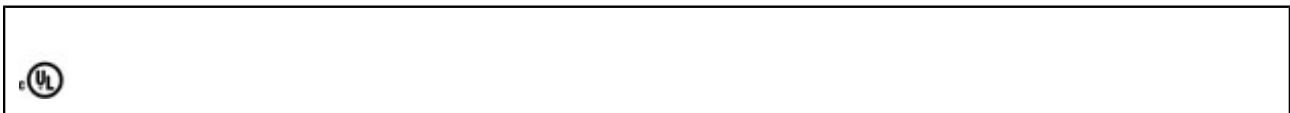
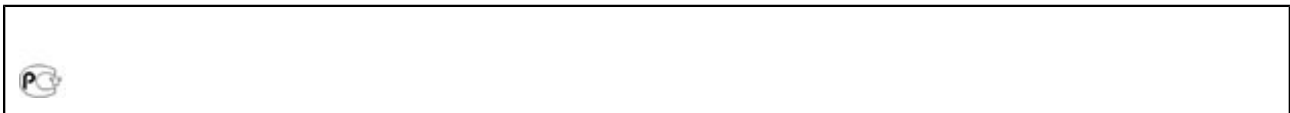
---

### Approval details



# Extension module - PSR-SCP- 24UC/URM/5X1/2X2 - 2963747

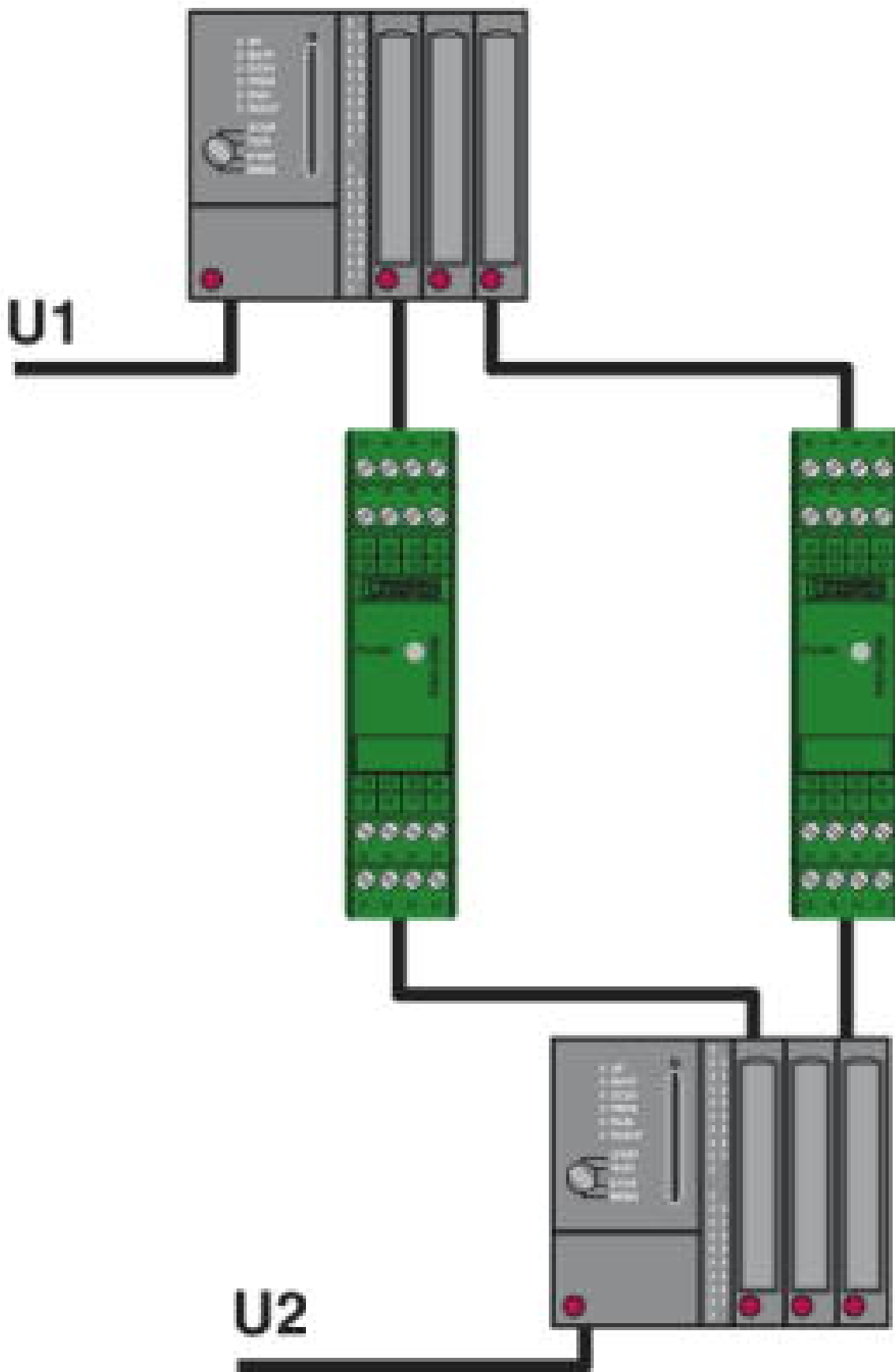
approvals



Drawings

# Extension module - PSR-SCP- 24UC/URM/5X1/2X2 - 2963747

Application drawing



## Extension module - PSR-SCP- 24UC/URM/5X1/2X2 - 2963747

Circuit diagram

