

Bus coupler - IL PB BK DP/V1-PAC - 2862246

Please be informed that the data shown in this PDF Document is generated from our Online Catalog. Please find the complete data in the user's documentation. Our General Terms of Use for Downloads are valid (<http://download.phoenixcontact.com>)



PROFIBUS bus coupler DP/V1, complete with I/O connectors

Product Features

- PROFIBUS connection via 9-pos. D-SUB socket
- DP/V1 for class 1 and class 2 masters
- Baud rate of up to 12 Mbaud (automatic baud rate detection)
- Up to 63 I/O terminals can be connected



Key commercial data

package_quantity	1
GTIN	4017918907471

Technical data

Note

Utilization restriction	EMC: class A product, see manufacturer's declaration in the download area
--------------------------------	---

Dimensions

Width	85 mm
Height	119.8 mm
Depth	71.5 mm

Ambient conditions

Ambient temperature (operation)	0 °C ... 55 °C
Permissible humidity (operation)	85 % (non-condensing)
Permissible humidity (storage/transport)	85 % (non-condensing)
Air pressure (operation)	80 kPa ... 106 kPa (up to 3000 m above sea level)
Air pressure (storage/transport)	70 kPa ... 106 kPa (up to 3000 m above sea level)
Degree of protection	IP20

General

Weight	240 g
Note on weight specifications	with connectors
Mounting type	DIN rail

Bus coupler - IL PB BK DP/V1-PAC - 2862246

Technical data

General

Test section	RS-485 interface / supply voltage 500 V
Test section	RS-485 interface / local bus 500 V
Mechanical tests	Vibration resistance in acc. with EN 60068-2-6/IEC 60068-2-6 5g
Mechanical tests	Shock in acc. with EN 60068-2-27/IEC 60068-2-27 Operation: 25 g, 11 ms duration, semi-sinusoidal shock impulse

Interfaces

Fieldbus system	Lokalbus
Designation	Inline local bus
Connection method	Inline data jumper
Transmission speed	500 kBit/s
Fieldbus system	PROFIBUS DP
Designation	PROFIBUS DP
Connection method	D-SUB-9 female connector
Transmission speed	9,6 kBit/s ... 12 MBit/s
Number of positions	9

System limits of the bus coupler

Amount of process data	max. 176 Byte (per station)
Amount of process data	max. 176 Byte (Input)
Amount of process data	max. 176 Byte (Output)
Number of local bus devices that can be connected	max. 63
Number of devices with parameter channel	max. 16
Number of branch terminals with remote bus branch	0

Power supply for module electronics

Connection method	Inline connector
Supply voltage	24 V DC (via Inline connector)
Supply voltage range	19.2 V DC ... 30 V DC (including all tolerances, including ripple)
Current consumption	max. 1.25 A

Inline potentials

Communications power U_L	7.5 V DC $\pm 5\%$
Power supply at U_L	max. 2 A DC
Main circuit supply U_M	24 V DC -15 % / +20 % (acc. to EN 61131-2)
Power supply at U_M	max. 8 A DC (Sum of $U_M + U_S$)
Segment supply voltage U_S	24 V DC -15 % / +20 % (acc. to EN 61131-2)
Power supply at U_S	max. 8 A DC (Sum of $U_M + U_S$)
I/O supply voltage U_{ANA}	24 V DC -15 % / +20 %
Power supply at U_{ANA}	max. 0.5 A DC

classifications

eCl@ss

Bus coupler - IL PB BK DP/V1-PAC - 2862246

classifications

eCl@ss

eCl@ss 4.0	27250203
eCl@ss 4.1	27250203
eCl@ss 5.0	27250203
eCl@ss 5.1	27242608
eCl@ss 6.0	27242608
eCl@ss 7.0	27242608
eCl@ss 8.0	27242608

ETIM

ETIM 2.0	EC001434
ETIM 3.0	EC001604
ETIM 4.0	EC001604
ETIM 5.0	EC001604

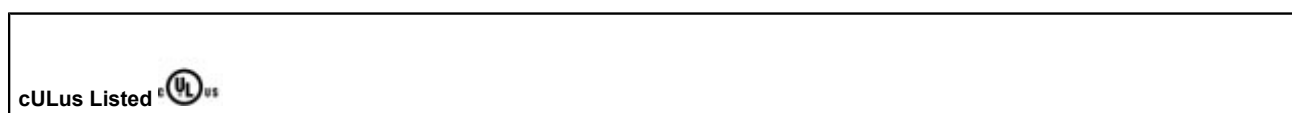
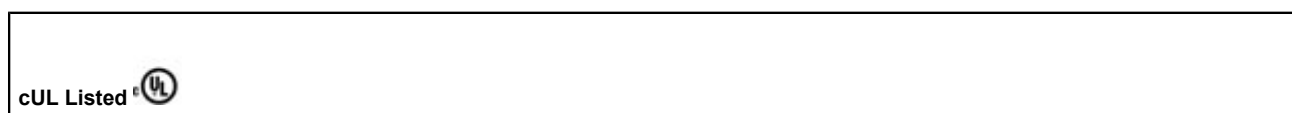
UNSPSC

UNSPSC 6.01	43172015
UNSPSC 7.0901	43201404
UNSPSC 11	43172015
UNSPSC 12.01	43201404
UNSPSC 13.2	43201404

approvals

UL Listed / cUL Listed / cULus Listed / UL Listed / GOST / cUL Listed / cULus Listed /

Approval details



Bus coupler - IL PB BK DP/V1-PAC - 2862246

approvals



accessories

Plug

IB IL SCN-PWR IN-CP - 2727637



Labeling panel

IB IL FIELD 2 - 2727501



Terminal marking

ESL 62X10 - 0809492



Data plug

Bus coupler - IL PB BK DP/V1-PAC - 2862246

accessories

SUBCON-PLUS-PROFIB - 2744348



SUBCON-PLUS-PROFIB - 2744348



SUBCON-PLUS-PROFIB/SC2 - 2708232



SUBCON-PLUS-PROFIB/PG/SC2 - 2708245



SUBCON-PLUS-PROFIB/90/IDC - 2313672



SUBCON-PLUS-PROFIB/90/PG/IDC - 2313685



Bus coupler - IL PB BK DP/V1-PAC - 2862246

accessories

SUBCON-PLUS-PROFIB/90/SC - 2313698



SUBCON-PLUS-PROFIB/90/PG/SC - 2313708



SUBCON-PLUS-PROFIB/AX/SC - 2744380



SUBCON-PLUS-PROFIB/35/M12 - 2902320



SUBCON-PLUS-PROFIB/90/M12 - 2902318



End block

Bus coupler - IL PB BK DP/V1-PAC - 2862246

accessories

CLIPFIX 35 - 3022218



accessories

IL PB BK DP/V1 UM - 2698096



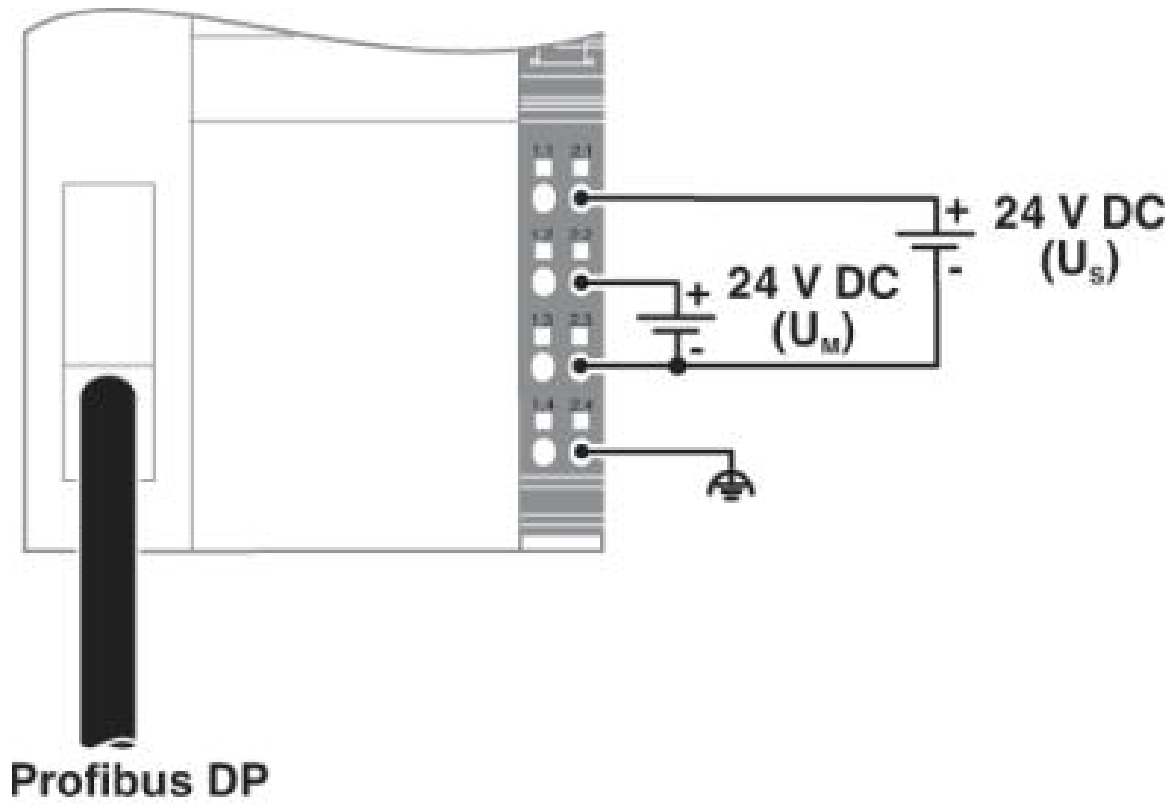
IL PB BK DP/V1 UM E - 2698106



Drawings

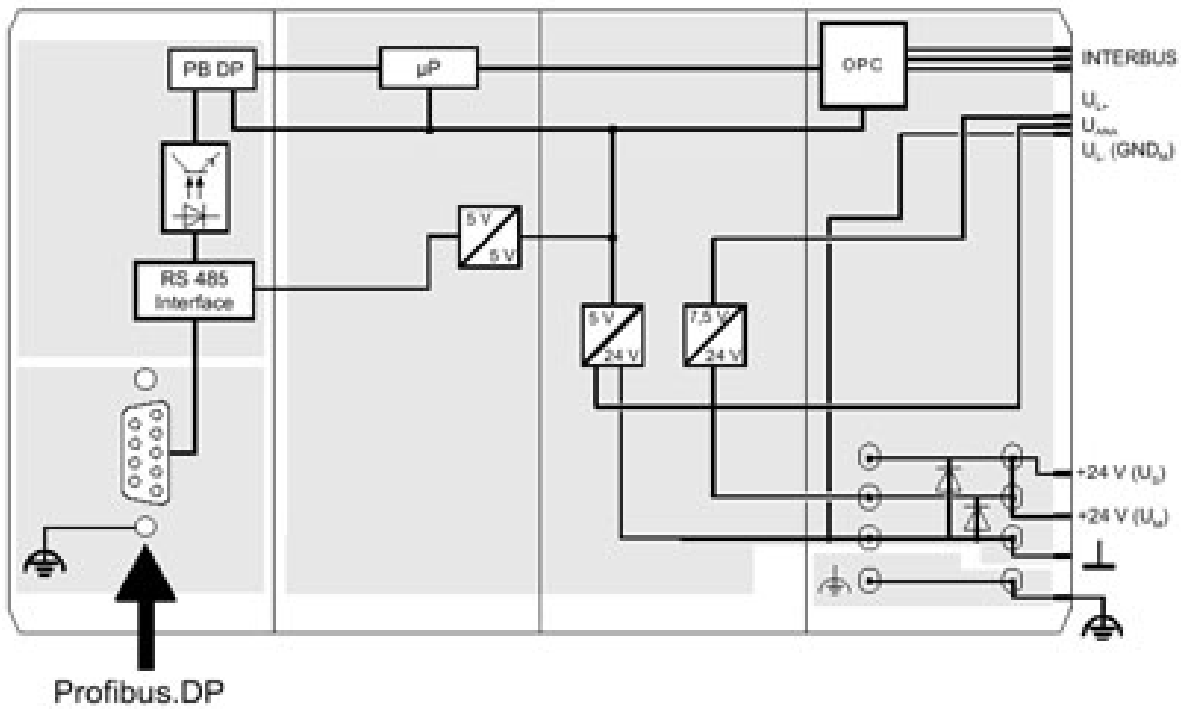
Bus coupler - IL PB BK DP/V1-PAC - 2862246

Connection diagram



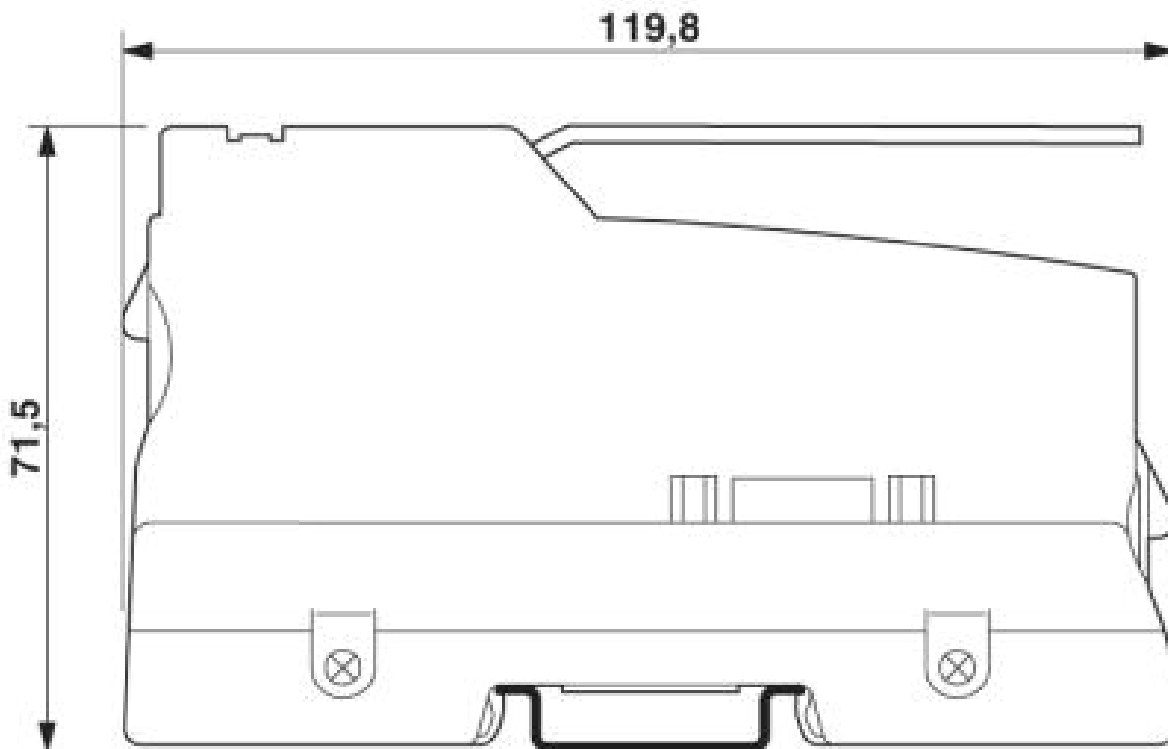
Bus coupler - IL PB BK DP/V1-PAC - 2862246

Block diagram



Bus coupler - IL PB BK DP/V1-PAC - 2862246

Dimensioned drawing



© Phoenix Contact 2014 - all rights reserved
<http://www.phoenixcontact.com>