

# Bus coupler - IBS ST 24 BK RB-T - 2753504

Please be informed that the data shown in this PDF Document is generated from our Online Catalog. Please find the complete data in the user's documentation. Our General Terms of Use for Downloads are valid (<http://download.phoenixcontact.com>)



INTERBUS-ST bus terminal module, 24 V DC, 9-pos., D-SUB with additional remote bus stub line, 9-pos. D-SUB, IP20 protection, consisting of: Terminal part with screw connection and module electronics

## Product Description

INTERBUS ST bus terminal modules with additional interfaces (Bus) In addition to configuring a modular input/output station with ST modules, the bus terminal modules with additional INTERBUS interfaces provide the option of connecting further INTERBUS network devices. The IBS ST 24 BK LB-T module is equipped with an additional local bus interface with a 15-pos. D-SUB connector. The flat pack design input/output modules from PHOENIX CONTACT, for example, and frequency inverters with local bus interfaces can be connected to this interface. An additional remote bus connection is provided by the IBS ST 24 RB-T. All devices with an INTERBUS remote bus interface can be connected in this remote bus branch. The input/output bus terminal modules with additional fiber optic interfaces are available for integrating INTERBUS compatible devices into an INTERBUS fiber optic network. All INTERBUS bus terminal modules make it possible to individually enable/disable the additional bus interfaces. To some extent, they perform the role of two bus terminal modules in the INTERBUS system and are also treated as such in the address lists and configuring software (CMD). Note: When configuring buses branching off from the bus terminal modules, please observe the topology supported by INTERBUS controller boards.

## Product Features

- Additional I/Os onboard
- Copper or fiber optic connection
- Additional remote/local bus branches



## Key commercial data

package_quantity	1
GTIN	4017918099589

## Technical data

### Note

Utilization restriction	EMC: class A product, see manufacturer's declaration in the download area
-------------------------	---

### Dimensions

Width	81 mm
Height	117 mm
Depth	116 mm

### Ambient conditions

Ambient temperature (operation)	0 °C ... 55 °C
Ambient temperature (storage/transport)	-20 °C ... 70 °C

# Bus coupler - IBS ST 24 BK RB-T - 2753504

## Technical data

### Ambient conditions

<b>Permissible humidity (operation)</b>	30 % ... 75 % (non-condensing)
<b>Permissible humidity (storage/transport)</b>	30 % ... 95 % (non-condensing)
<b>Air pressure (operation)</b>	86 kPa ... 108 kPa (up to 1500 m above mean sea level)
<b>Air pressure (storage/transport)</b>	66 kPa ... 108 kPa (up to 3500 m above mean sea level)
<b>Degree of protection</b>	IP20

### Interfaces

<b>Fieldbus system</b>	INTERBUS
<b>Designation</b>	INTERBUS remote bus
<b>Connection method</b>	9-pos. D-SUB plug/socket
<b>Designation connection point</b>	Incoming/Outgoing Remote Bus
<b>Number of positions</b>	9
<b>Fieldbus system</b>	Lokalbus
<b>Designation</b>	ST local bus
<b>Transmission speed</b>	500 kBit/s
<b>Fieldbus system</b>	INTERBUS
<b>Designation</b>	INTERBUS
<b>Connection method</b>	9-pos. D-SUB socket
<b>Number of positions</b>	9

### Digital inputs

<b>Connection method</b>	Screw connection
--------------------------	------------------

### Power supply for module electronics

<b>Supply voltage</b>	24 V DC
<b>Supply voltage range</b>	20 V DC ... 30 V DC (including ripple)
<b>Ripple</b>	3.6 V <sub>pp</sub> within the allowable voltage range
<b>Current consumption</b>	typ. 150 mA (without ST module expansions)

### General

<b>Weight</b>	470 g
<b>Mounting type</b>	DIN rail
<b>Protection class</b>	III, IEC 61140, EN 61140, VDE 0140-1
<b>Test section</b>	Incoming remote bus / Outgoing remote bus 500 V AC 50 Hz 1 min
<b>Test section</b>	Power supply voltage / ST local bus 500 V AC 50 Hz 1 min
<b>Test section</b>	Incoming remote bus/ST interface 500 V AC 50 Hz 1 min
<b>Test section</b>	Incoming remote bus/Remote bus branch 500 V AC 50 Hz 1 min

## classifications

### eCl@ss

<b>eCl@ss 4.0</b>	27250203
<b>eCl@ss 4.1</b>	27250203

# Bus coupler - IBS ST 24 BK RB-T - 2753504

## classifications

### eCl@ss

eCl@ss 5.0	27250203
eCl@ss 5.1	27242608
eCl@ss 6.0	27242608
eCl@ss 7.0	27242608
eCl@ss 8.0	27242608

### ETIM

ETIM 2.0	EC001434
ETIM 3.0	EC001604
ETIM 4.0	EC001604
ETIM 5.0	EC001604


### UNSPSC


UNSPSC 6.01	43172015
UNSPSC 7.0901	43201404
UNSPSC 11	43172015
UNSPSC 12.01	43201404
UNSPSC 13.2	43201404

## approvals

UL Recognized / cUL Recognized / GOST / INTERBUS CLUB / cULus Recognized /

### Approval details

<b>UL Recognized</b> 	
Nominal voltage UN	
Nominal current IN	
mm <sup>2</sup> /AWG/kcmil	30-12


<b>cUL Recognized</b> 	
Nominal voltage UN	
Nominal current IN	
mm <sup>2</sup> /AWG/kcmil	30-12

## Bus coupler - IBS ST 24 BK RB-T - 2753504

approvals



INTERBUS CLUB

cULus Recognized 

accessories

**I/O component**

IBS STME 24 BK RB-T - 2752932



---

**Fuse**

IBS TR5 1AT - 2806600



---

**Bridge**

IB ST LBC - 2836492



## Bus coupler - IBS ST 24 BK RB-T - 2753504

### accessories

EB 84 IB ST BU - 2836269



---

EB 84 IB ST RD - 2836272



### accessories

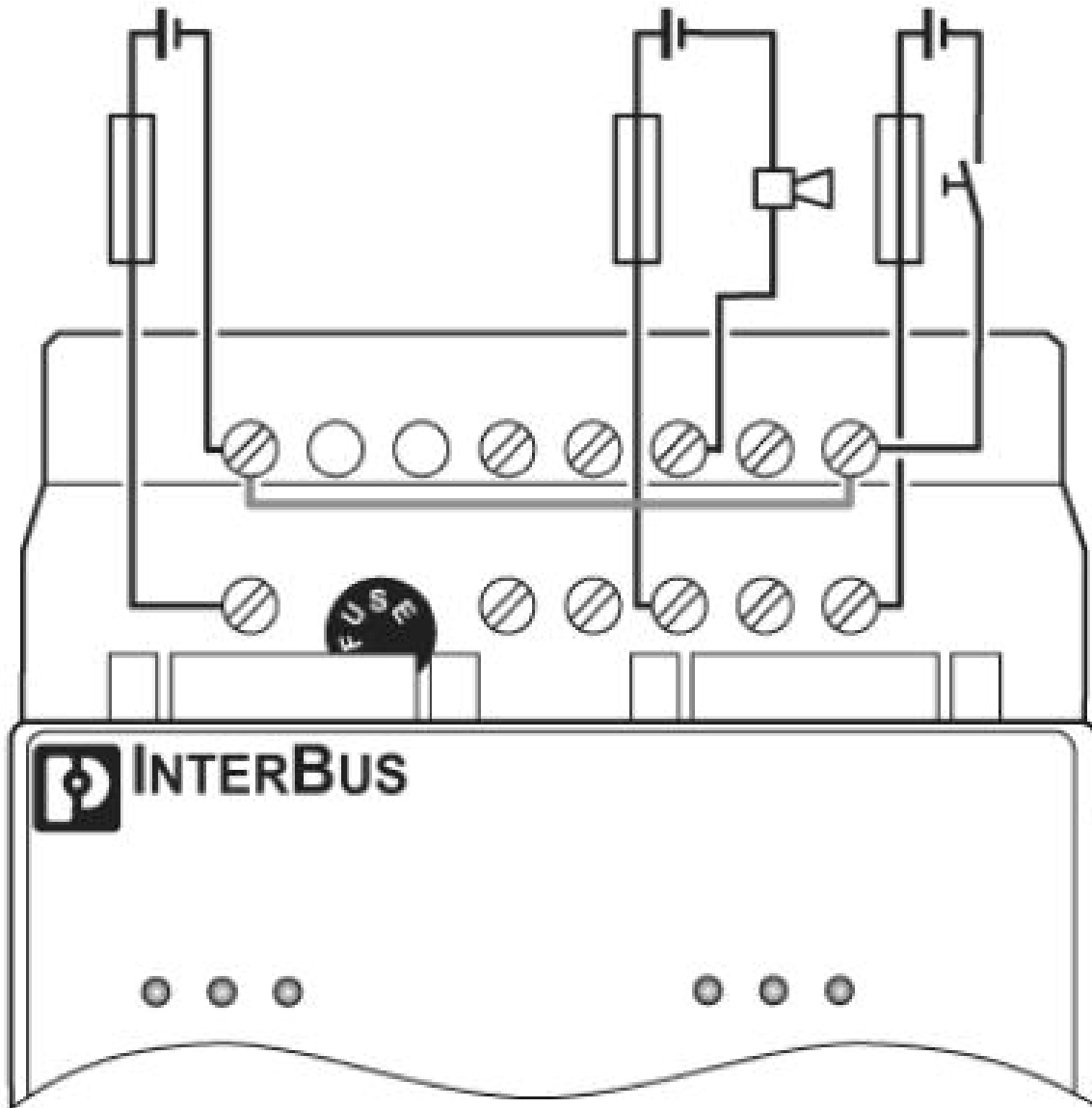
IBS STTB 24 BK LB-T - 2752699

---

### Drawings

# Bus coupler - IBS ST 24 BK RB-T - 2753504

Connection diagram



# Bus coupler - IBS ST 24 BK RB-T - 2753504

Dimensioned drawing

