

Inline terminal - IB IL 24 DO 32/HD-PAC - 2862822

Please be informed that the data shown in this PDF Document is generated from our Online Catalog. Please find the complete data in the user's documentation. Our General Terms of Use for Downloads are valid (<http://download.phoenixcontact.com>)



Inline digital output terminal block, complete with accessories (connector and labeling field), 32 outputs, 24 V DC, 500 mA, single-wire connection method

Product Description

The terminal is designed for use within an Inline station. It is used to output digital signals.

Product Features

- 32 digital outputs
- Connection of actuators in single-wire technology
- Nominal current per output: 500 mA
- Total current of the terminal: 8 A
- Short-circuit-proof and overload-protected outputs
- Diagnostic and status indicators
- Approved for use in potentially explosive areas (refer to data sheet)



Key commercial data

package_quantity	1
GTIN	4017918907617

Technical data

Note

Utilization restriction	EMC: class A product, see manufacturer's declaration in the download area
-------------------------	---

Dimensions

Width	48.8 mm
Height	119.8 mm
Depth	71.5 mm
Note on dimensions	Housing dimensions

Ambient conditions

Ambient temperature (operation)	-25 °C ... 55 °C
Ambient temperature (storage/transport)	-25 °C ... 85 °C
Permissible humidity (operation)	10 % ... 95 % (according to DIN EN 61131-2)
Permissible humidity (storage/transport)	10 % ... 95 % (according to DIN EN 61131-2)
Air pressure (operation)	70 kPa ... 106 kPa (up to 3000 m above sea level)

Inline terminal - IB IL 24 DO 32/HD-PAC - 2862822

Technical data

Ambient conditions

Air pressure (storage/transport)	70 kPa ... 106 kPa (up to 3000 m above sea level)
Degree of protection	IP20

General

Weight	195 g
Note on weight specifications	with connectors
Mounting type	DIN rail
Protection class	III, IEC 61140, EN 61140, VDE 0140-1
Test section	5 V supply, incoming remote bus/7.5 V supply (bus logics) 500 V AC 50 Hz 1 min
Test section	5 V supply, outgoing remote bus/7.5 V supply (bus logics) 500 V AC 50 Hz 1 min
Test section	7.5 V supply (bus logics)/24 V supply (I/O) 500 V AC 50 Hz 1 min
Test section	24 V supply (I/O) / functional earth ground 500 V AC 50 Hz 1 min
Diagnostics messages	Short-circuit / overload of the digital outputs Error message in the diagnostic code (bus) and display (2 Hz) via the LED (D) on the module

Interfaces

Fieldbus system	Lokalbus
Designation	Inline local bus
Connection method	Inline data jumper
Transmission speed	500 kBit/s

Power supply for module electronics

Connection method	via potential routing
Supply voltage	24 V DC (via voltage jumper)
Supply voltage range	19.2 V DC ... 30 V DC (including all tolerances, including ripple)
Communications power U_L	7.5 V (via voltage jumper)
Current consumption	max. 130 mA (from the local bus)
Power consumption	max. 1.05 W

Inline potentials

Communications power U_L	7.5 V DC
Current consumption from U_L	max. 140 mA
Main circuit supply U_M	24 V DC
Segment supply voltage U_S	24 V DC (nominal value)
Current consumption from U_S	max. 8 A

Digital outputs

Output name	Digital outputs
Connection method	Spring-cage connection
Connection method	1-wire
Number of outputs	32
Protective circuit	Overload protection, short-circuit protection of outputs Zener diode in output chip

Inline terminal - IB IL 24 DO 32/HD-PAC - 2862822

Technical data

Digital outputs

Output voltage	24 V ($U_s - 1$ V)
Nominal output voltage	24 V DC (voltage difference at $I_{nom} \leq 1$ V)
Maximum output current per channel	500 mA
Maximum output current per module	8 A
Nominal load, inductive	12 VA (1.2 H; 50 Ω)
Nominal load, lamp	12 W
Nominal load, ohmic	12 W (48 Ω)

classifications

eCl@ss

eCl@ss 4.0	27250302
eCl@ss 4.1	27250302
eCl@ss 5.0	27250302
eCl@ss 5.1	27242604
eCl@ss 6.0	27242604
eCl@ss 7.0	27242604
eCl@ss 8.0	27242604

ETIM

ETIM 2.0	EC001430
ETIM 3.0	EC001599
ETIM 4.0	EC001599
ETIM 5.0	EC001599

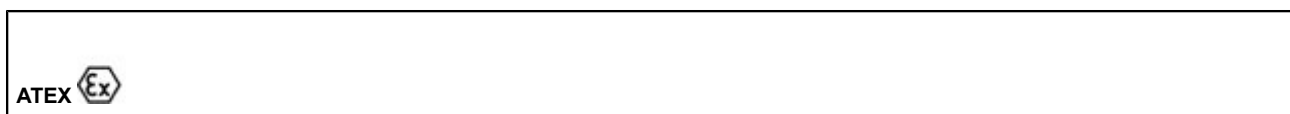
UNSPSC

UNSPSC 6.01	43172015
UNSPSC 7.0901	43201404
UNSPSC 11	43172015
UNSPSC 12.01	43201404
UNSPSC 13.2	43201404

approvals

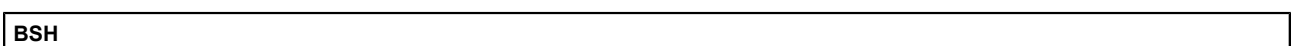
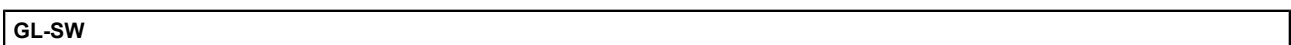
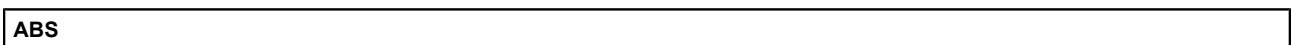
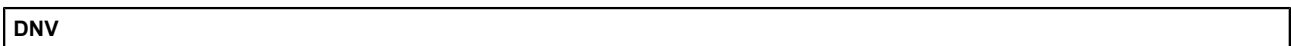
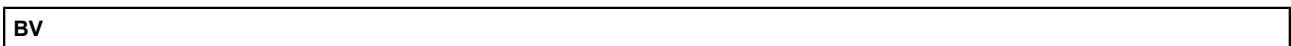
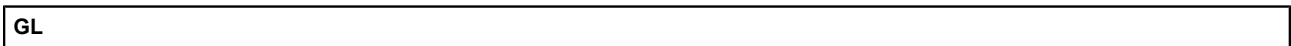
ATEX / ATEX / UL Listed / cUL Listed / cULus Listed / UL Recognized / cUL Recognized / LR / GL / BV / DNV / ABS / GL-SW / BSH / UL Recognized / cUL Recognized / LR / GL / BV / DNV / ABS / GL-SW / BSH / cULus Recognized / GL /

Approval details



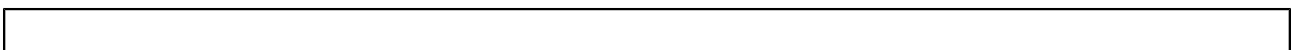
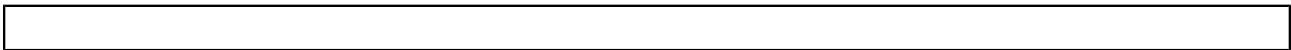
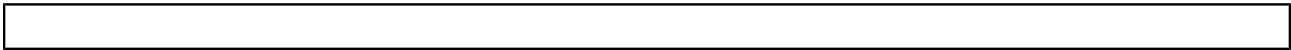
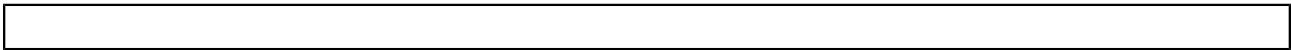
Inline terminal - IB IL 24 DO 32/HD-PAC - 2862822

approvals



Inline terminal - IB IL 24 DO 32/HD-PAC - 2862822

approvals



accessories

Labeling panel

IB IL FIELD 8 - 2727515



IB IL FIELD 2 - 2727501



Inline terminal - IB IL 24 DO 32/HD-PAC - 2862822

accessories

Terminal marking

ESL 62X10 - 0809492



ESL 62X46 - 0809502



Connector set

IB IL DI/DO 8-PLSET - 2860950



Front adapter

FLKM 14-PA-INLINE/32 - 2302777



accessories

IL SYS INST UM - 2698724

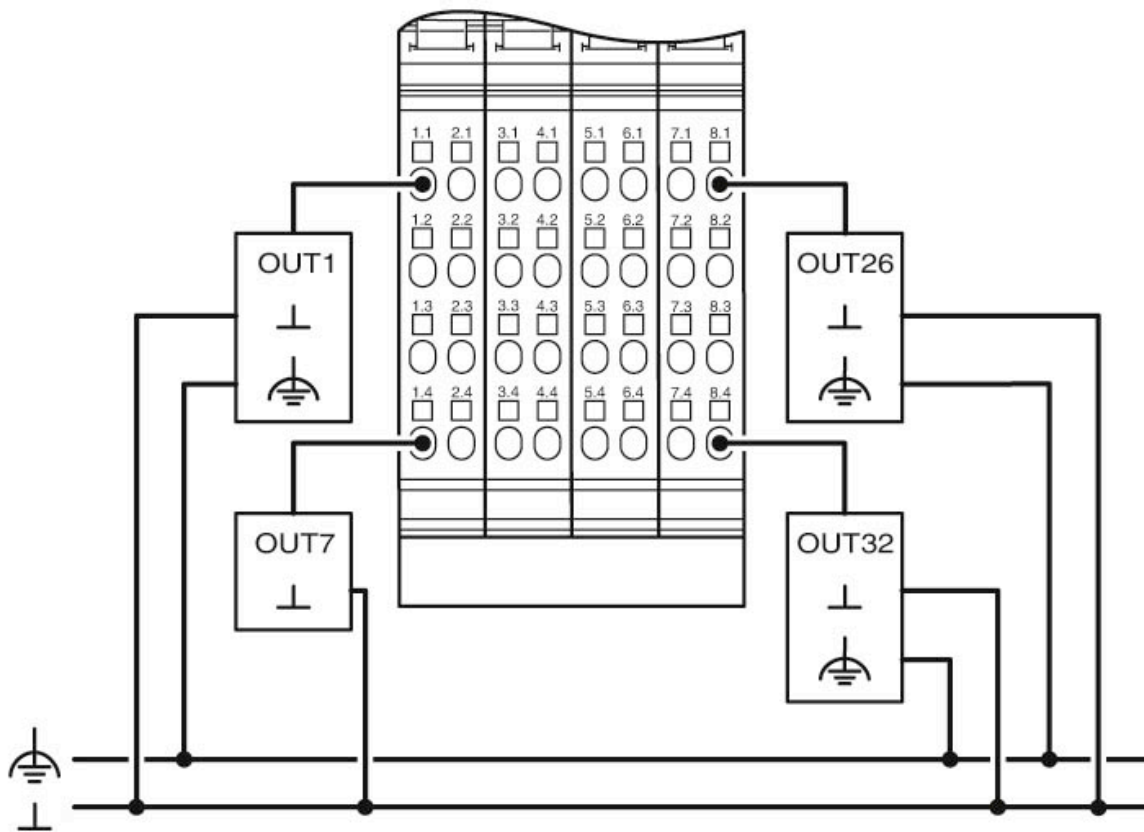


Inline terminal - IB IL 24 DO 32/HD-PAC - 2862822

accessories

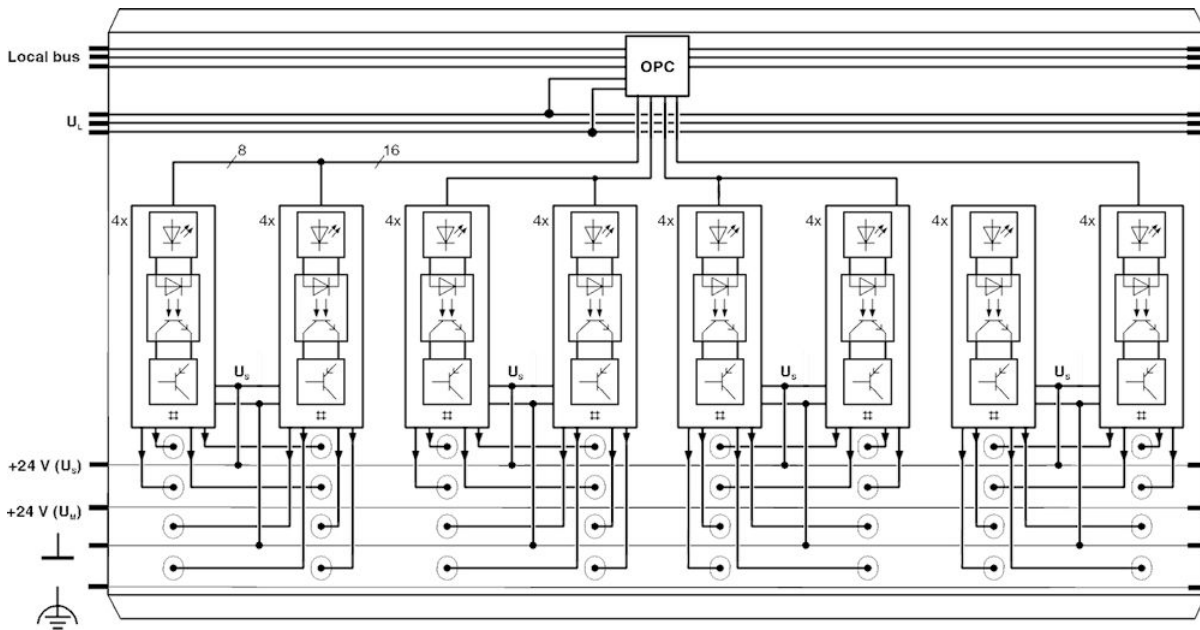
Drawings

Connection diagram



Inline terminal - IB IL 24 DO 32/HD-PAC - 2862822

Block diagram



Dimensioned drawing

