

Inline terminal - IB IL 24/230 DOR4/W-PC-PAC - 2862181

Please be informed that the data shown in this PDF Document is generated from our Online Catalog. Please find the complete data in the user's documentation. Our General Terms of Use for Downloads are valid (<http://download.phoenixcontact.com>)



Inline digital output terminal block, complete with accessories (connector and labeling field), 4 relay PDT contacts, 5 - 253 V AC, 3 A

Product Features

- Safe isolation
- Nominal current at the output: 3 A
- Total current of the terminal: 3 A
- Diagnostic and status indicators



Key commercial data

package_quantity	1
GTIN	4017918894672

Technical data

Note

Utilization restriction	EMC: class A product, see manufacturer's declaration in the download area
--------------------------------	---

Dimensions

Width	48.8 mm
Height	119.8 mm
Depth	71.5 mm
Note on dimensions	Housing dimensions

Ambient conditions

Ambient temperature (operation)	-25 °C ... 55 °C
Ambient temperature (storage/transport)	-25 °C ... 85 °C
Permissible humidity (operation)	75 % ... 85 % (in the range of -25°C ... +55°C, appropriate measures against increased humidity (> 85%) must be taken.)
Permissible humidity (storage/transport)	75 % ... 85 % (slight temporary condensation may sometimes appear on the housing)
Air pressure (operation)	70 kPa ... 106 kPa (up to 3000 m above sea level)
Air pressure (storage/transport)	70 kPa ... 106 kPa (up to 3000 m above sea level)
Degree of protection	IP20

General

Inline terminal - IB IL 24/230 DOR4/W-PC-PAC - 2862181

Technical data

General

Weight	138 g
Note on weight specifications	Without plug
Mounting type	DIN rail
Protection class	I, IEC 61140, EN 61140, VDE 0140-1
Test section	Relay contact / Bus logics 4 kV 50 Hz 1 min
Test section	Contact to contact 1 kV 50 Hz 1 min
Test section	Contact / PE 1 kV 50 Hz 1 min

Interfaces

Designation	Inline local bus
Connection method	Via data marshalling
Transmission speed	500 kBit/s

Power supply for module electronics

Supply voltage	24 V DC (nominal value)
Supply voltage range	19.2 V DC ... 30 V DC (including all tolerances, including ripple)
Communications power U_L	7.5 V (via voltage jumper)
Current consumption	max. 22 mA (from the local bus OFF)
Power consumption	max. 0.17 W (from the local bus OFF)

Inline potentials

Communications power U_L	7.5 V
Current consumption from U_L	max. 187 mA

Digital outputs

Output name	Relay output
Connection method	Spring-cage connection
Connection method	Floating SPDT relay contact
Number of outputs	4
Maximum output current per channel	3 A

classifications

eCl@ss

eCl@ss 4.0	27250302
eCl@ss 4.1	27250302
eCl@ss 5.0	27250302
eCl@ss 5.1	27242604
eCl@ss 6.0	27242604
eCl@ss 7.0	27242604
eCl@ss 8.0	27242604

ETIM

ETIM 2.0	EC001430
-----------------	----------

Inline terminal - IB IL 24/230 DOR4/W-PC-PAC - 2862181

classifications

ETIM

ETIM 3.0	EC001599
ETIM 4.0	EC001599
ETIM 5.0	EC001599

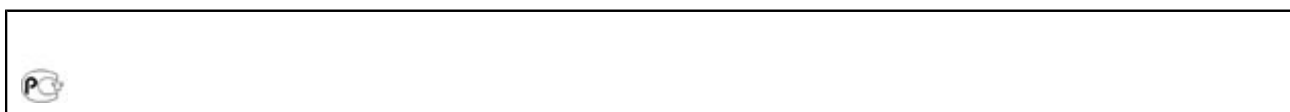
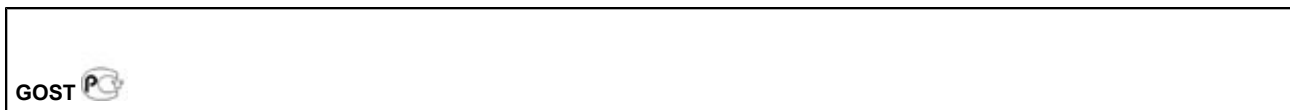
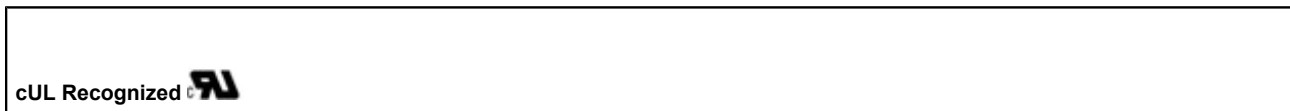
UNSPSC

UNSPSC 6.01	43172015
UNSPSC 7.0901	43201404
UNSPSC 11	43172015
UNSPSC 12.01	43201404
UNSPSC 13.2	43201404

approvals

UL Recognized / cUL Recognized / GOST / UL Recognized / cUL Recognized / GOST / cULus Recognized /

Approval details



Inline terminal - IB IL 24/230 DOR4/W-PC-PAC - 2862181

approvals

cULus Recognized  US

accessories

Plug

IB IL SCN-8-AC-REL - 2740290



Distance terminal

IB IL DOR LV-SET - 2742641



IB IL DOR LV-SET-PAC - 2861645



IB IL DOR LV-SET - 2742641



Connector set

Inline terminal - IB IL 24/230 DOR4/W-PC-PAC - 2862181

accessories

IB IL DOR LV-PLSET - 2742667



Labeling panel

IB IL FIELD 2 - 2727501



IB IL FIELD 8 - 2727515



Terminal marking

ESL 62X10 - 0809492



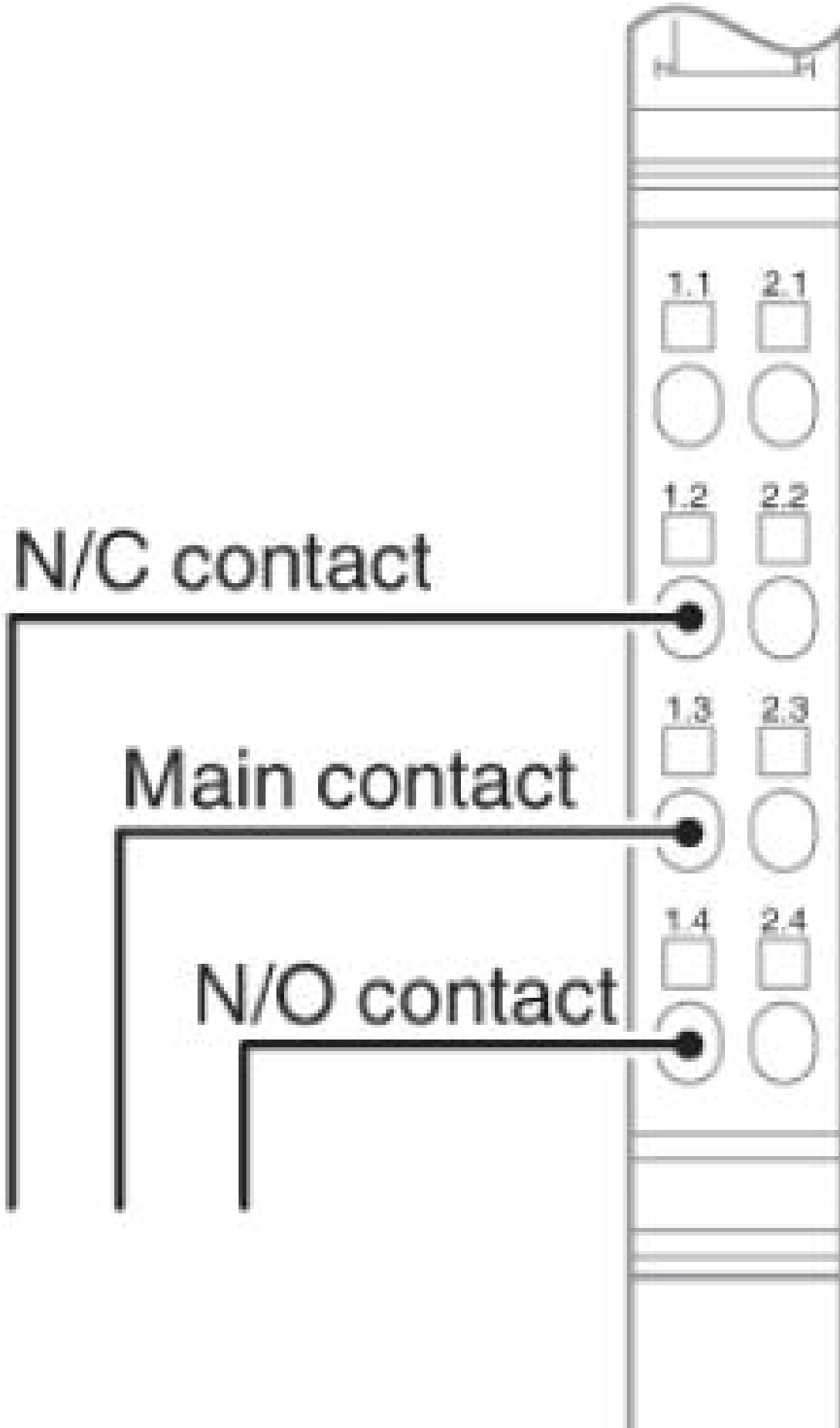
ESL 62X46 - 0809502



Drawings

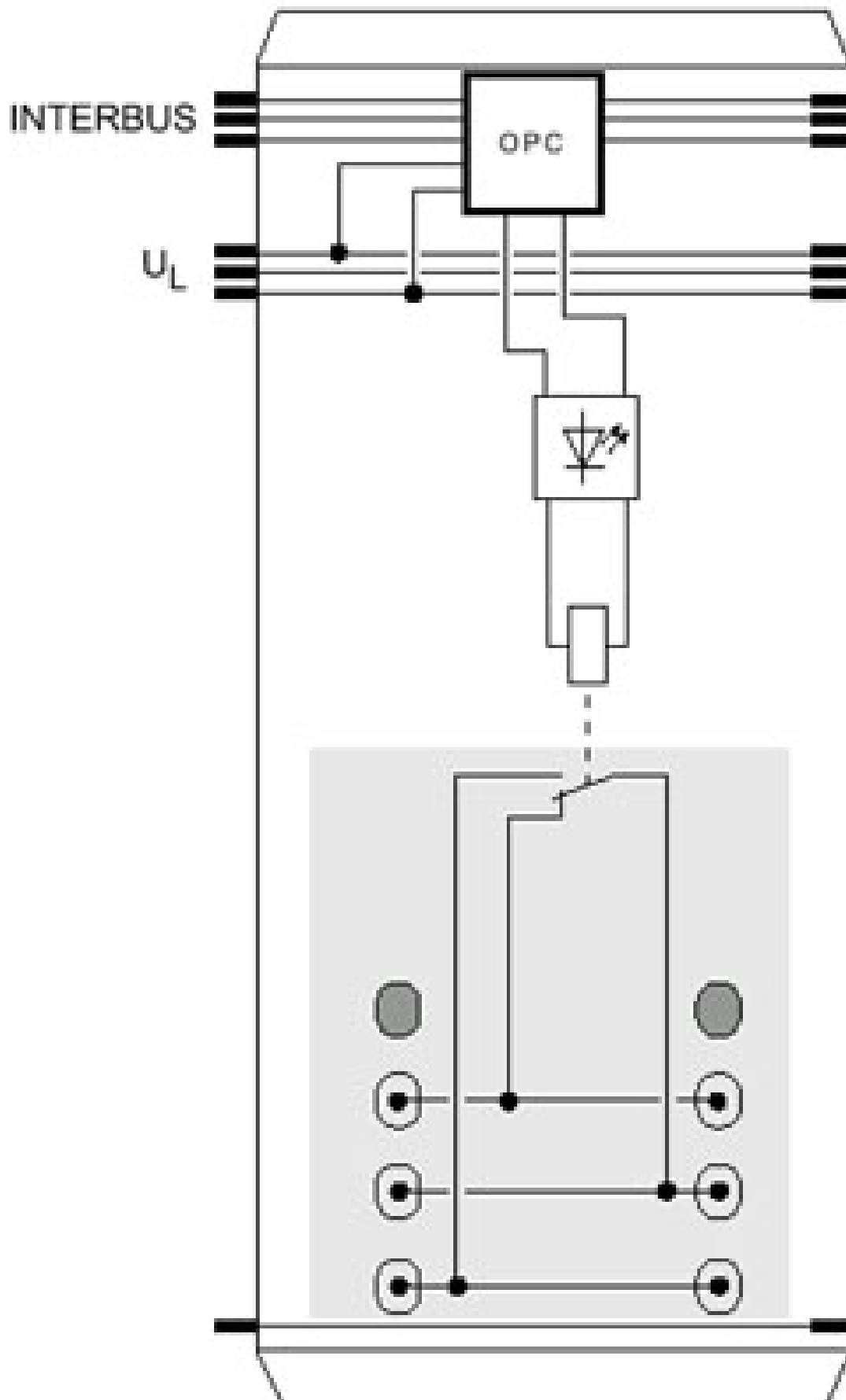
Inline terminal - IB IL 24/230 DOR4/W-PC-PAC - 2862181

Connection diagram



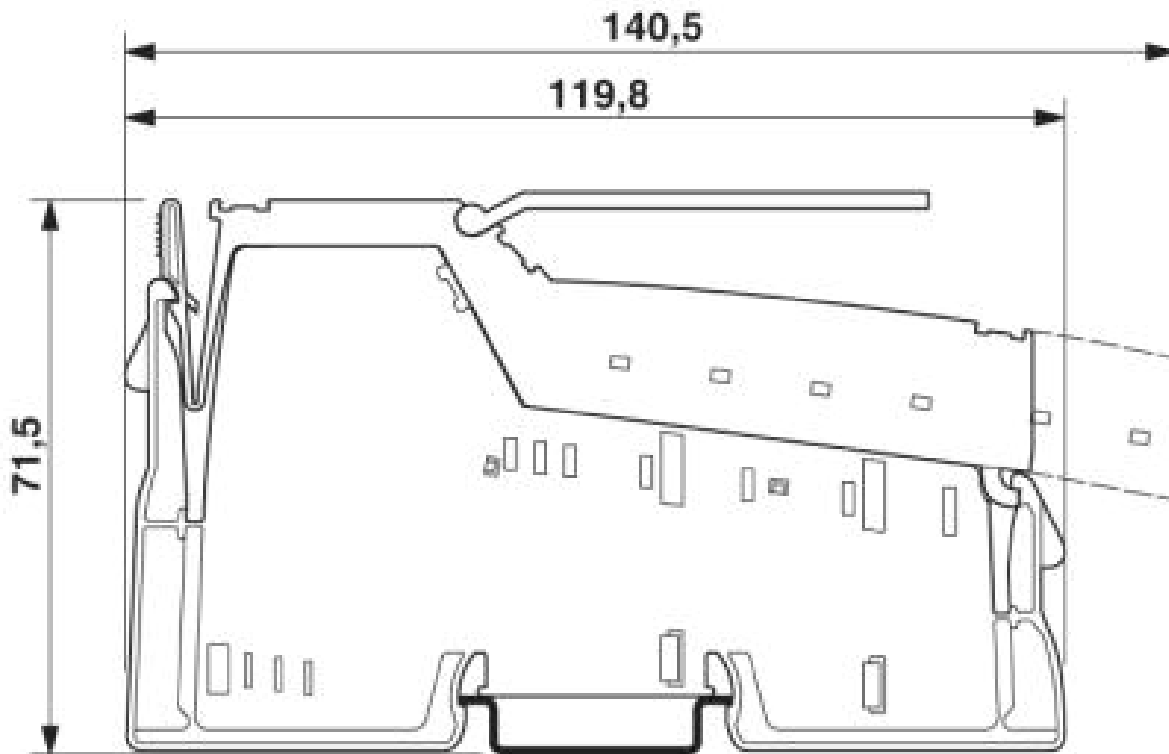
Inline terminal - IB IL 24/230 DOR4/W-PC-PAC - 2862181

Block diagram



Inline terminal - IB IL 24/230 DOR4/W-PC-PAC - 2862181

Dimensioned drawing



© Phoenix Contact 2014 - all rights reserved
<http://www.phoenixcontact.com>