

# Inline terminal - IB IL 24 DO 4-PAC - 2861276

Please be informed that the data shown in this PDF Document is generated from our Online Catalog. Please find the complete data in the user's documentation. Our General Terms of Use for Downloads are valid (<http://download.phoenixcontact.com>)



Inline digital output terminal, complete with accessories (connector plug and labeling field), 4 outputs, 24 V DC, 500 mA, 3-wire connection technology

## Product Features

- 4 digital outputs
- Connection of actuators in 2 and 3-wire technology
- Nominal current per output: 500 mA
- Total current of the terminal: 2 A
- Short-circuit-proof and overload-protected outputs
- Diagnostic and status indicators



## Key commercial data

package_quantity	1
GTIN	4017918894214

## Technical data

### Note

Utilization restriction	EMC: class A product, see manufacturer's declaration in the download area
-------------------------	---

### Dimensions

Width	12.2 mm
Height	140.5 mm
Depth	71.5 mm
Note on dimensions	Housing dimensions

### Ambient conditions

Ambient temperature (operation)	-25 °C ... 55 °C
Ambient temperature (storage/transport)	-25 °C ... 85 °C
Permissible humidity (operation)	10 % ... 95 % (according to DIN EN 61131-2)
Permissible humidity (storage/transport)	10 % ... 95 % (according to DIN EN 61131-2)
Air pressure (operation)	70 kPa ... 106 kPa (up to 3000 m above sea level)
Air pressure (storage/transport)	70 kPa ... 106 kPa (up to 3000 m above sea level)
Degree of protection	IP20

### General

# Inline terminal - IB IL 24 DO 4-PAC - 2861276

## Technical data

### General

<b>Weight</b>	66 g
<b>Note on weight specifications</b>	with connector
<b>Mounting type</b>	DIN rail
<b>Protection class</b>	III, IEC 61140, EN 61140, VDE 0140-1
<b>Test section</b>	5 V supply, incoming remote bus/7.5 V supply (bus logics) 500 V AC 50 Hz 1 min
<b>Test section</b>	5 V supply, outgoing remote bus/7.5 V supply (bus logics) 500 V AC 50 Hz 1 min
<b>Test section</b>	7.5 V supply (bus logics)/24 V supply (I/O) 500 V AC 50 Hz 1 min
<b>Test section</b>	24 V supply (I/O) / functional earth ground 500 V AC 50 Hz 1 min
<b>Diagnostics messages</b>	Short-circuit / overload of the digital outputs Error message in the diagnostic code (bus) and display (2 Hz) via the LED (D) on the module

### Interfaces

<b>Fieldbus system</b>	Lokalbus
<b>Designation</b>	Inline local bus
<b>Connection method</b>	Inline data jumper
<b>Transmission speed</b>	500 kBit/s

### Power supply for module electronics

<b>Supply voltage</b>	24 V DC (via voltage jumper)
<b>Supply voltage range</b>	19.2 V DC ... 30 V DC (including all tolerances, including ripple)
<b>Communications power <math>U_L</math></b>	7.5 V (via voltage jumper)
<b>Current consumption</b>	max. 44 mA (from the local bus)
<b>Power consumption</b>	max. 0.33 W (at $U_L$ )

### Inline potentials

<b>Communications power <math>U_L</math></b>	7.5 V DC
<b>Current consumption from <math>U_L</math></b>	max. 44 mA
<b>Main circuit supply <math>U_M</math></b>	24 V DC
<b>Segment supply voltage <math>U_S</math></b>	24 V DC (nominal value)
<b>Current consumption from <math>U_S</math></b>	max. 2 A

### Digital outputs

<b>Output name</b>	Digital outputs
<b>Connection method</b>	Spring-cage connection
<b>Connection method</b>	2, 3-wire
<b>Number of outputs</b>	4
<b>Protective circuit</b>	Overload protection, short-circuit protection of outputs Zener diode in output chip
<b>Output voltage</b>	24 V DC ( $U_S - 1 V$ )
<b>Nominal output voltage</b>	24 V DC (voltage difference at $I_{nom} \leq 1 V$ )
<b>Maximum output current per channel</b>	500 mA
<b>Maximum output current per module</b>	2 A

# Inline terminal - IB IL 24 DO 4-PAC - 2861276

## Technical data

### Digital outputs

Nominal load, inductive	12 VA (1.2 H; 50 Ω)
Nominal load, lamp	12 W
Nominal load, ohmic	12 W (48 Ω)

## classifications

### eCl@ss

eCl@ss 4.0	27250302
eCl@ss 4.1	27250302
eCl@ss 5.0	27250302
eCl@ss 5.1	27242604
eCl@ss 6.0	27242604
eCl@ss 7.0	27242604
eCl@ss 8.0	27242604

### ETIM

ETIM 2.0	EC001430
ETIM 3.0	EC001599
ETIM 4.0	EC001599
ETIM 5.0	EC001599

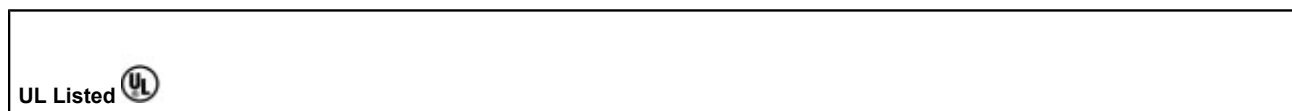
### UNSPSC

UNSPSC 6.01	43172015
UNSPSC 7.0901	43201404
UNSPSC 11	43172015
UNSPSC 12.01	43201404
UNSPSC 13.2	43201404

## approvals

UL Listed / cUL Listed / UL Listed / cUL Listed / ATEX / cULus Listed / UL Recognized / cUL Recognized / GOST / LR / GL / BV / DNV / ABS / RINA / GL-SW / BSH / GL / GL-SW / BSH / UL Recognized / cUL Recognized / GOST / LR / BV / DNV / RINA / cULus Recognized / GL /

### Approval details



# Inline terminal - IB IL 24 DO 4-PAC - 2861276

approvals

UL Listed

cUL Listed

ATEX

cULus Listed

UL Recognized

cUL Recognized

GOST

LR

GL	
Nominal voltage UN	
Nominal current IN	
mm <sup>2</sup> /AWG/kcmil	6

BV

DNV

ABS

# Inline terminal - IB IL 24 DO 4-PAC - 2861276

approvals

**RINA**

<b>GL-SW</b>	
Nominal voltage UN	
Nominal current IN	
mm <sup>2</sup> /AWG/kcmil	6

**BSH**

Nominal voltage UN	
Nominal current IN	
mm <sup>2</sup> /AWG/kcmil	6

Nominal voltage UN	
Nominal current IN	
mm <sup>2</sup> /AWG/kcmil	6

UL Recognized

cUL Recognized

**LR**

**BV**

**DNV**

# Inline terminal - IB IL 24 DO 4-PAC - 2861276

approvals

RINA

cULus Recognized  US

accessories

**Labeling panel**

IB IL FIELD 2 - 2727501



IB IL FIELD 8 - 2727515



**Terminal marking**

ESL 62X10 - 0809492



ESL 62X46 - 0809502



## Inline terminal - IB IL 24 DO 4-PAC - 2861276

accessories

### Plug

IB IL SCN-12 - 2726340



---

IB IL SCN-12-OCP - 2727624



---

accessories

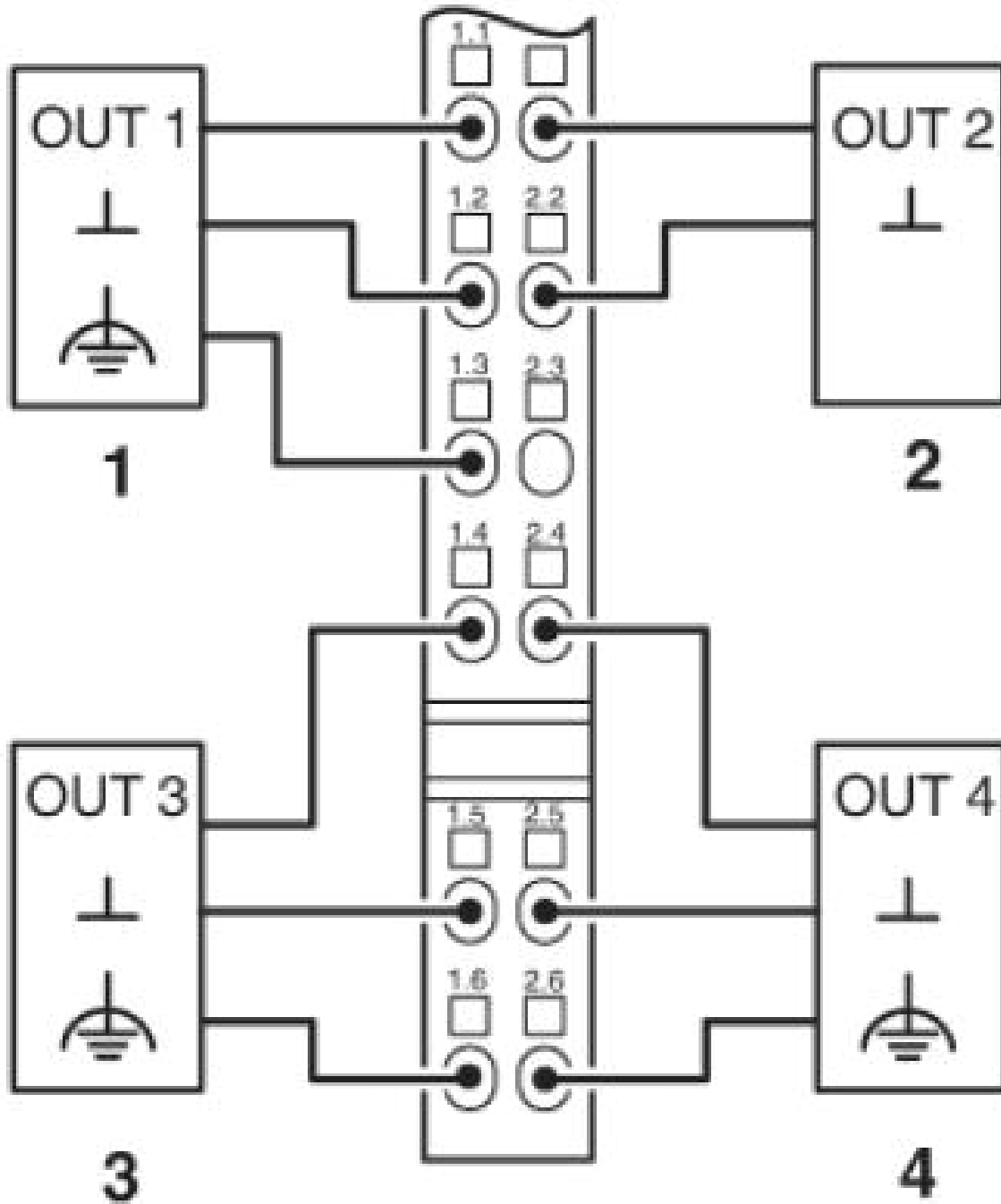
-

---

Drawings

# Inline terminal - IB IL 24 DO 4-PAC - 2861276

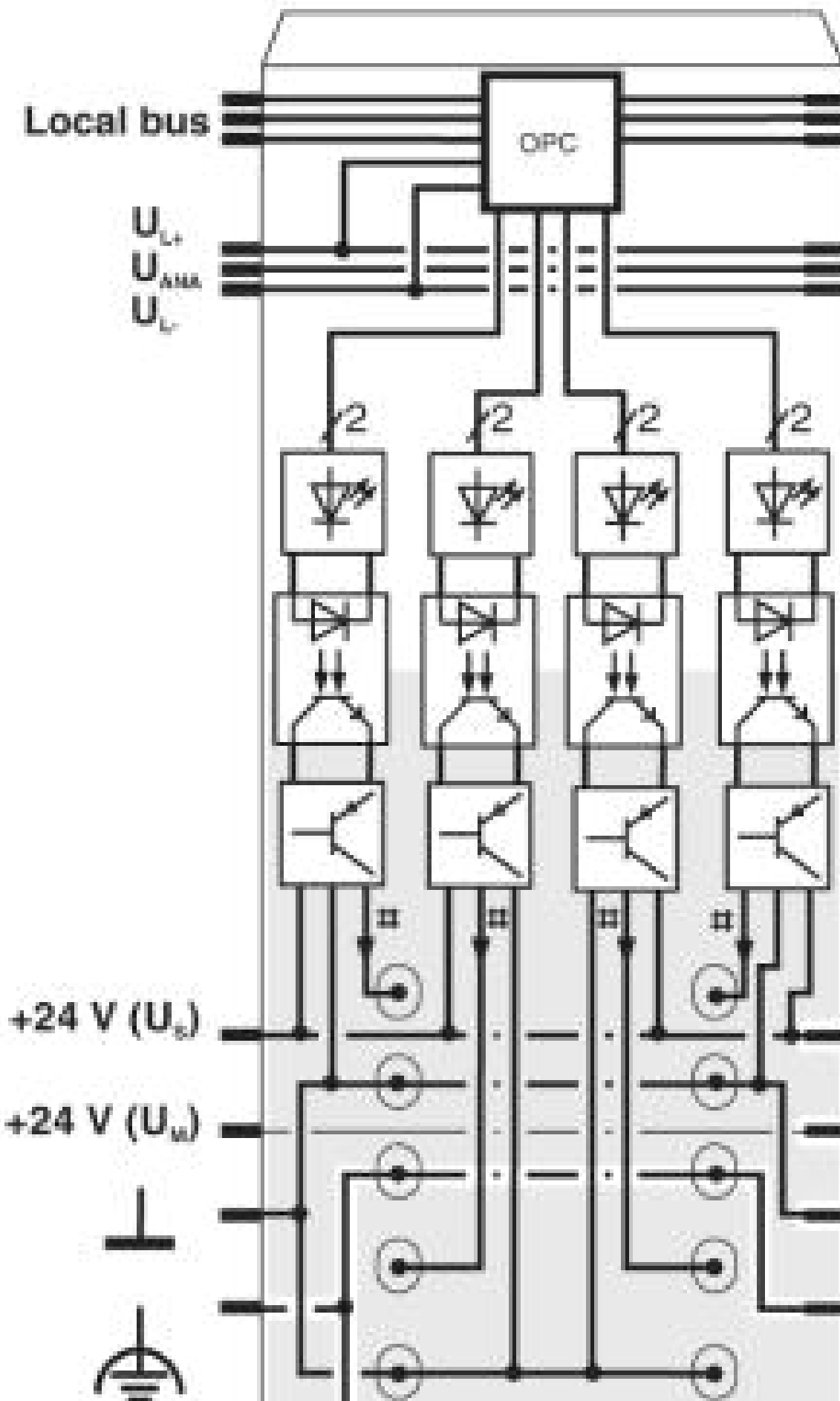
Connection diagram





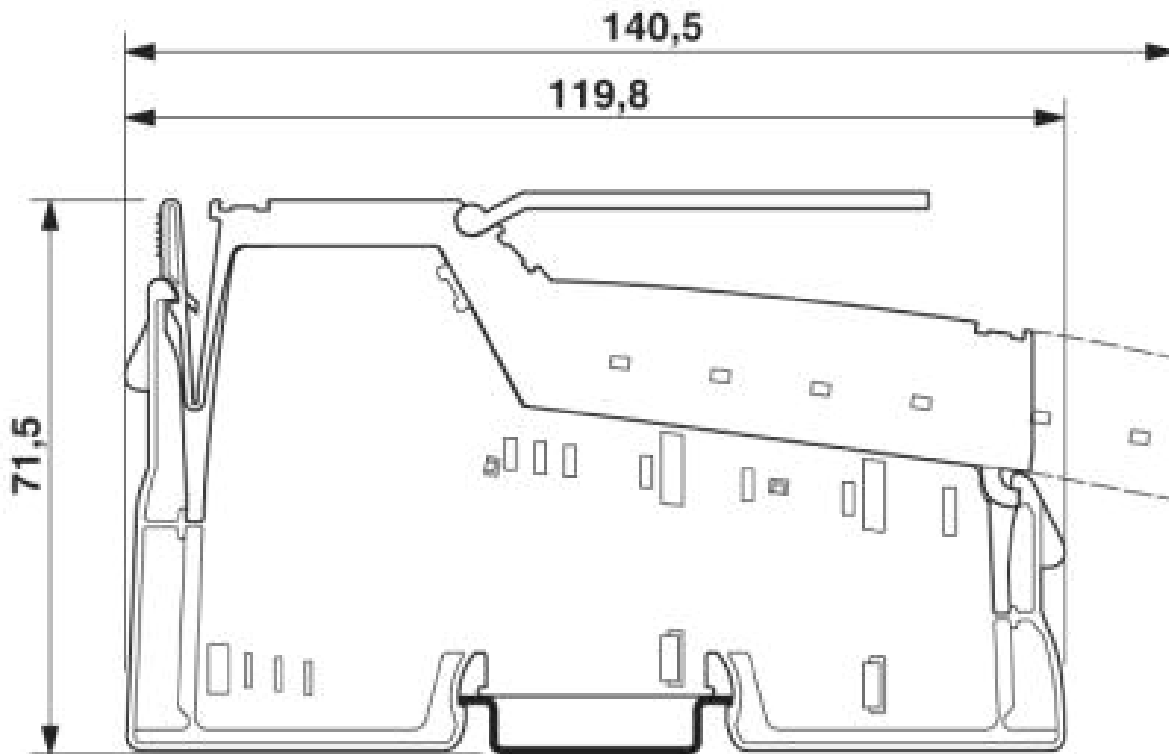
# Inline terminal - IB IL 24 DO 4-PAC - 2861276

Block diagram



# Inline terminal - IB IL 24 DO 4-PAC - 2861276

Dimensioned drawing



© Phoenix Contact 2014 - all rights reserved  
<http://www.phoenixcontact.com>