

# Inline terminal - IB IL 24 DI 16-PAC - 2861250

Please be informed that the data shown in this PDF Document is generated from our Online Catalog. Please find the complete data in the user's documentation. Our General Terms of Use for Downloads are valid (<http://download.phoenixcontact.com>)



Inline digital input terminal, complete with accessories (connector plug and labeling field), 16 inputs, 24 V DC, 2-, 3-wire connection technology

## Product Description

The digital Inline input terminals are designed for the connection of digital signals as are supplied from control switches, limit switches or proximity switches. All the typical applications are covered by the standard automation terminals. The I/O equipment is connected by a simple or an extended Inline plug, depending on the number of channels. The multi-wire connection method is available in both cases. The Inline terminals can be labeled using hinged labeling fields. The fields have insert cards that can be labeled individually to suit the application. Additionally, there is the proven ZBFM-6... Zack strip for labeling the terminal points.

## Product Features

- 16 digital inputs
- Connection of sensors in 2 and 3-wire technology
- Maximum permissible load current per sensor: 250 mA
- Diagnostic and status indicators
- Approved for use in potentially explosive areas (refer to data sheet)



## Key commercial data

package_quantity	1
GTIN	4017918894191

## Technical data

### Note

Utilization restriction	EMC: class A product, see manufacturer's declaration in the download area
-------------------------	---

### Dimensions

Width	48.8 mm
Height	140.5 mm
Depth	71.5 mm
Note on dimensions	Housing dimensions

### Ambient conditions

Ambient temperature (operation)	-25 °C ... 55 °C
Ambient temperature (storage/transport)	-25 °C ... 85 °C
Permissible humidity (operation)	10 % ... 95 % (according to DIN EN 61131-2)
Permissible humidity (storage/transport)	10 % ... 95 % (according to DIN EN 61131-2)

# Inline terminal - IB IL 24 DI 16-PAC - 2861250

## Technical data

### Ambient conditions

<b>Air pressure (operation)</b>	70 kPa ... 106 kPa (up to 3000 m above sea level)
<b>Air pressure (storage/transport)</b>	70 kPa ... 106 kPa (up to 3000 m above sea level)
<b>Degree of protection</b>	IP20

### General

<b>Weight</b>	210 g
<b>Note on weight specifications</b>	with connectors
<b>Mounting type</b>	DIN rail
<b>Protection class</b>	III, IEC 61140, EN 61140, VDE 0140-1
<b>Test section</b>	5 V supply, incoming remote bus/7.5 V supply (bus logics) 500 V AC 50 Hz 1 min
<b>Test section</b>	5 V supply, outgoing remote bus/7.5 V supply (bus logics) 500 V AC 50 Hz 1 min
<b>Test section</b>	7.5 V supply (bus logics)/24 V supply (I/O) 500 V AC 50 Hz 1 min
<b>Test section</b>	24 V supply (I/O) / functional earth ground 500 V AC 50 Hz 1 min

### Interfaces

<b>Fieldbus system</b>	Lokalbus
<b>Designation</b>	Inline local bus
<b>Connection method</b>	Inline data jumper
<b>Transmission speed</b>	500 kBit/s

### Power supply for module electronics

<b>Supply voltage</b>	24 V DC (via voltage jumper)
<b>Supply voltage range</b>	19.2 V DC ... 30 V DC (including all tolerances, including ripple)
<b>Supply current</b>	60 mA
<b>Communications power <math>U_L</math></b>	7.5 V (via voltage jumper)
<b>Current consumption</b>	max. 60 mA (from the local bus)
<b>Power consumption</b>	max. 0.45 W (at $U_L$ )

### Inline potentials

<b>Communications power <math>U_L</math></b>	7.5 V DC (via voltage jumper)
<b>Current consumption from <math>U_L</math></b>	max. 60 mA
<b>Main circuit supply <math>U_M</math></b>	24 V DC
<b>Current consumption from <math>U_M</math></b>	max. 8 A DC
<b>Segment supply voltage <math>U_S</math></b>	24 V DC (nominal value)
<b>Current consumption from <math>U_S</math></b>	max. 4 A

### Digital inputs

<b>Input name</b>	Digital inputs
<b>Connection method</b>	Spring-cage connection
<b>Connection method</b>	2, 3-wire
<b>Number of inputs</b>	16 (EN 61131-2 type 1)
<b>Typical response time</b>	< 1 ms

# Inline terminal - IB IL 24 DI 16-PAC - 2861250

## Technical data

### Digital inputs

<b>Protective circuit</b>	Short-circuit and overload protection
<b>Input voltage</b>	24 V DC (via voltage jumper)
<b>Input voltage range "0" signal</b>	-3 V DC ... 5 V DC
<b>Input voltage range "1" signal</b>	15 V DC ... 30 V DC

## classifications

### eCl@ss

<b>eCl@ss 4.0</b>	27250302
<b>eCl@ss 4.1</b>	27250302
<b>eCl@ss 5.0</b>	27250302
<b>eCl@ss 5.1</b>	27242604
<b>eCl@ss 6.0</b>	27242604
<b>eCl@ss 7.0</b>	27242604
<b>eCl@ss 8.0</b>	27242604

### ETIM

<b>ETIM 2.0</b>	EC001430
<b>ETIM 3.0</b>	EC001599
<b>ETIM 4.0</b>	EC001599
<b>ETIM 5.0</b>	EC001599

### UNSPSC

<b>UNSPSC 6.01</b>	43172015
<b>UNSPSC 7.0901</b>	43201404
<b>UNSPSC 11</b>	43172015
<b>UNSPSC 12.01</b>	43201404
<b>UNSPSC 13.2</b>	43201404

## approvals

UL Listed / cUL Listed / UL Listed / cUL Listed / ATEX / cULus Listed / UL Recognized / cUL Recognized / GOST / LR / GL / BV / DNV / ABS / RINA / BSH / LR / BSH / UL Recognized / cUL Recognized / GOST / GL / BV / DNV / ABS / RINA / cULus Recognized /

### Approval details



# Inline terminal - IB IL 24 DI 16-PAC - 2861250

approvals

UL Listed

cUL Listed

ATEX

cULus Listed

UL Recognized

cUL Recognized

GOST

LR

GL

BV

DNV

ABS

RINA

BSH

# Inline terminal - IB IL 24 DI 16-PAC - 2861250

## approvals

UL Recognized

cUL Recognized

GL

BV

DNV

RINA

cULus Recognized US

## accessories

### Labeling panel

IB IL FIELD 2 - 2727501



# Inline terminal - IB IL 24 DI 16-PAC - 2861250

## accessories

IB IL FIELD 8 - 2727515



---

### Terminal marking

ESL 62X10 - 0809492



---

ESL 62X46 - 0809502



---

ZB 6:UNBEDRUCKT - 1051003



---

ZB 6/WH-100:UNBEDRUCKT - 5060935



## Inline terminal - IB IL 24 DI 16-PAC - 2861250

### accessories

ZBFM 6/WH:UNBEDRUCKT - 0803618



---

### Plug

IB IL SCN-12-ICP - 2727611



---

### Labeled terminal marker

ZB 6,QR:FORTL.ZAHLEN - 1051029



---

### Marker pen

B-STIFT - 1051993



X-PEN 0,35 - 0811228



## Inline terminal - IB IL 24 DI 16-PAC - 2861250

### accessories

#### Front adapter

FLKM 14-PA-INLINE/IN16 - 2302751



---

### accessories

ZB 6,QR:GLEICHE ZAHLEN - 1051045



---

ZB 6:SO/CMS - 1050499



---

ZBFM 6/OG:UNBEDRUCKT - 0807193



---

ZBFM 6:SO/CMS - 0803650



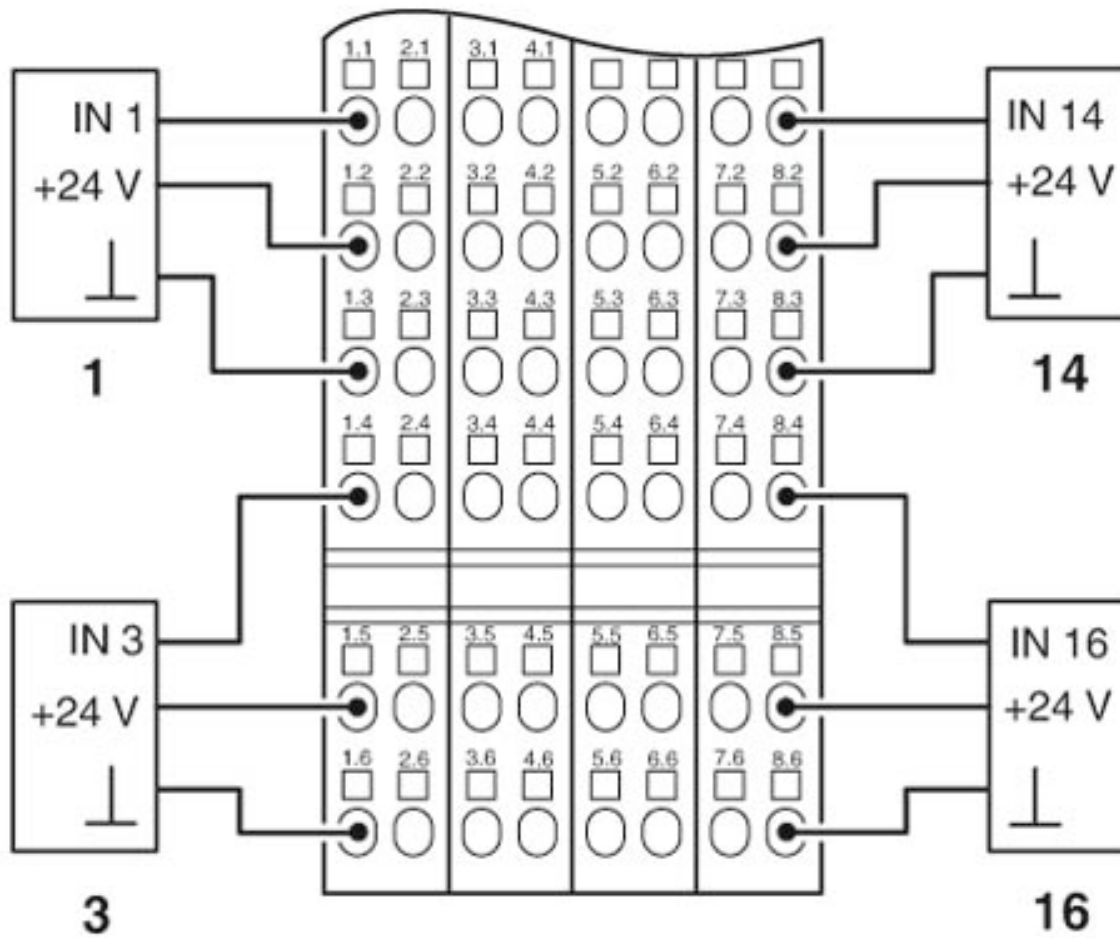
---

### Drawings



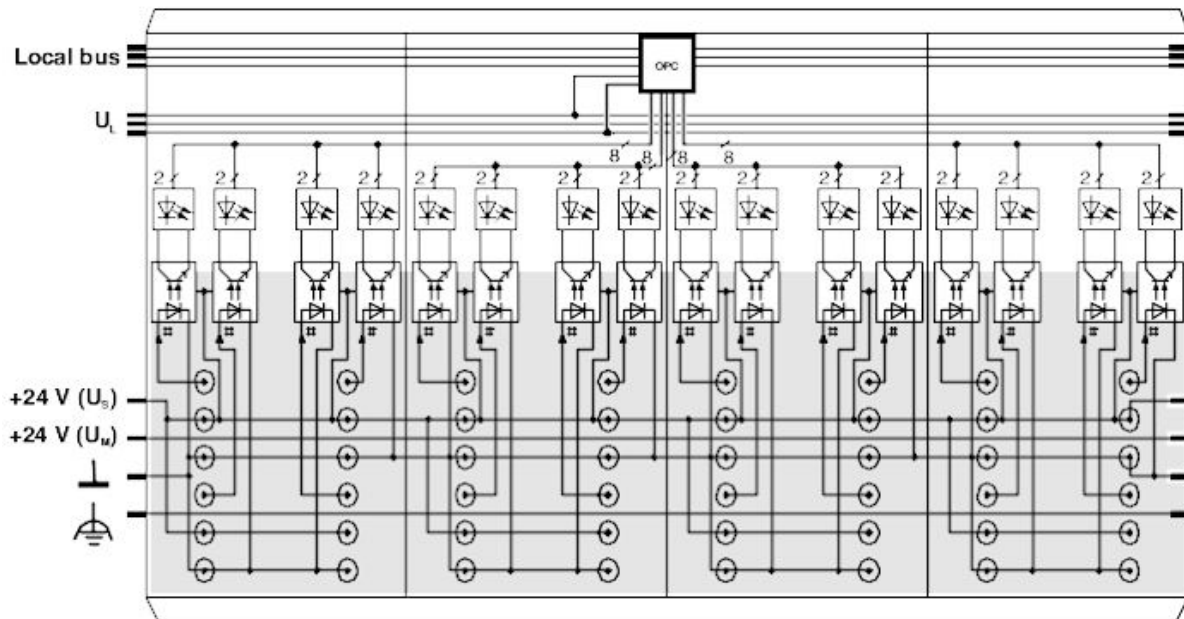
# Inline terminal - IB IL 24 DI 16-PAC - 2861250

Connection diagram



# Inline terminal - IB IL 24 DI 16-PAC - 2861250

Block diagram



Dimensioned drawing

