

D-SUB bus connector - SUBCON-PLUS F3 - 2761871

Please be informed that the data shown in this PDF Document is generated from our Online Catalog. Please find the complete data in the user's documentation. Our General Terms of Use for Downloads are valid (<http://download.phoenixcontact.com>)



D-SUB connector, 9-pos. female connector, two cable entries < 35°, bus system: CANopen, FIP, pin assignment: 2, 3, 6, 7, 8, 9 to two screw connection terminal blocks

The illustration shows version SUBCON-PLUS M 2

Key commercial data

package_quantity	1
GTIN	4017918156299

Technical data

Dimensions

Max. cable diameter	10 mm
Min. cable diameter	6 mm

Ambient conditions

Ambient temperature (operation)	-20 °C ... 70 °C
Altitude	5000 m (For restrictions see manufacturer's declaration)

General

Nominal voltage U_N	60 V AC/DC
Nominal current I_N	1 A
Bus system	CAN OPEN, FIP
Signal	RS-485
Insertion/withdrawal cycles	> 200
SUBCON fixing screws	4-40 UNC
Tightening torque	0.4 Nm
Housing material	ABS, metal-plated
Pin assignment	2,3,6,7,8,9 on two terminal blocks

Connection data

Connection	D-SUB connection
Number of positions	9
Connection method	D-SUB socket
Tightening torque	0.4 Nm
Connection	PCB connection
Connection method	Screw connection

D-SUB bus connector - SUBCON-PLUS F3 - 2761871

Technical data

Connection data

Conductor cross section stranded min.	0.14 mm ²
Conductor cross section stranded max.	1 mm ²
Conductor cross section solid min.	0.14 mm ²
Conductor cross section solid max.	1.5 mm ²
Conductor cross section AWG/kcmil min.	26
Conductor cross section AWG/kcmil max	16
Stripping length	5 mm
Tightening torque	0.4 Nm

classifications

eCl@ss

eCl@ss 4.0	27140816
eCl@ss 4.1	27140816
eCl@ss 5.0	27143424
eCl@ss 5.1	27143424
eCl@ss 6.0	27143424
eCl@ss 7.0	27440209
eCl@ss 8.0	27440302

ETIM

ETIM 2.0	EC001132
ETIM 3.0	EC001132
ETIM 4.0	EC001132
ETIM 5.0	EC001132

UNSPSC

UNSPSC 6.01	30211802
UNSPSC 7.0901	39121402
UNSPSC 11	39121402
UNSPSC 12.01	39121402
UNSPSC 13.2	39121402

approvals


UL Recognized / cUL Recognized / GOST / cULus Recognized /

Approval details



D-SUB bus connector - SUBCON-PLUS F3 - 2761871

approvals

cUL Recognized 

GOST 

cULus Recognized 

accessories

Mounting material

SUBCON-SHORT-SCREW - 2799694



Screwdriver tools

SZF 0-0,4X2,5 - 1204504



Data plug

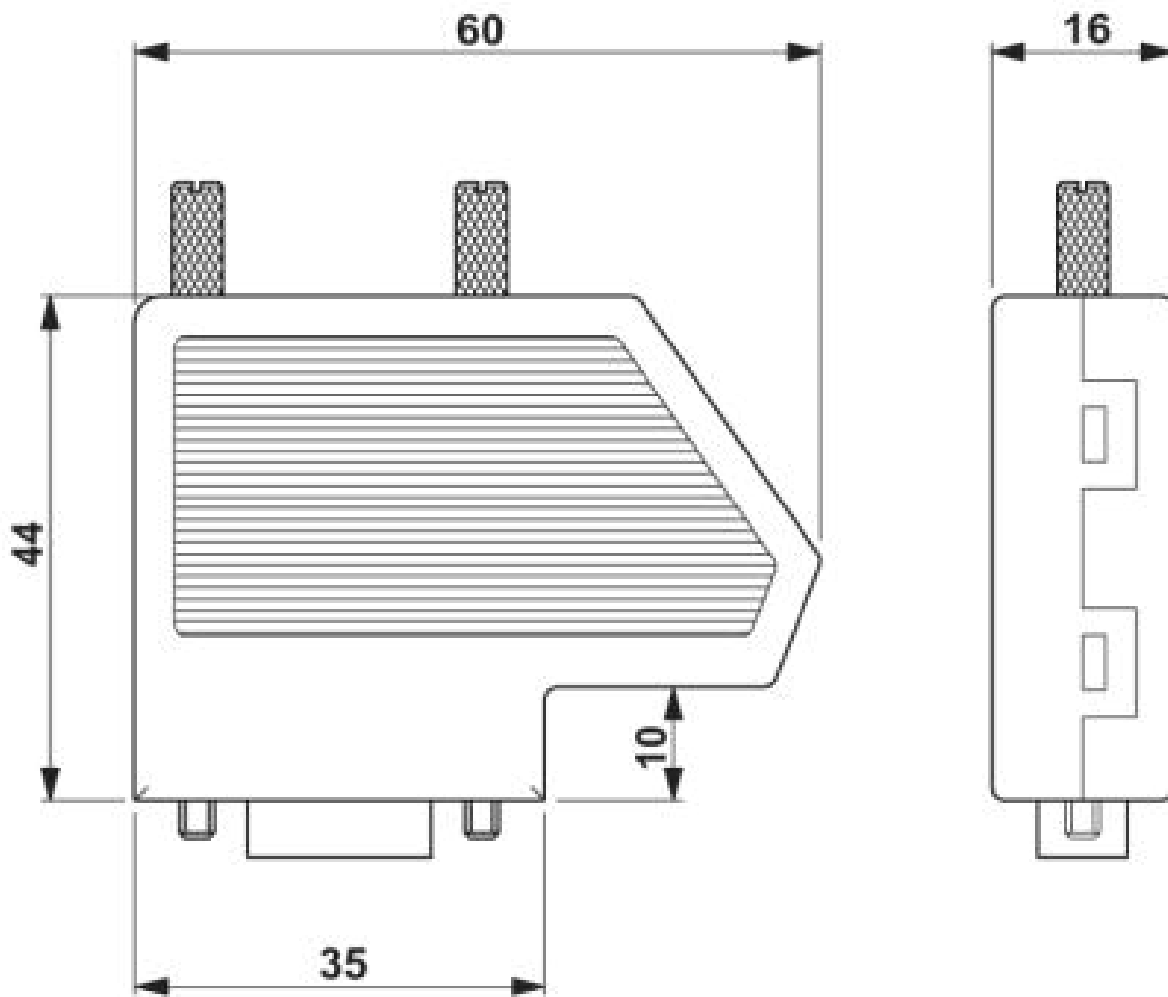
VS-09-GC-ST/ST - 1652651



Drawings

D-SUB bus connector - SUBCON-PLUS F3 - 2761871

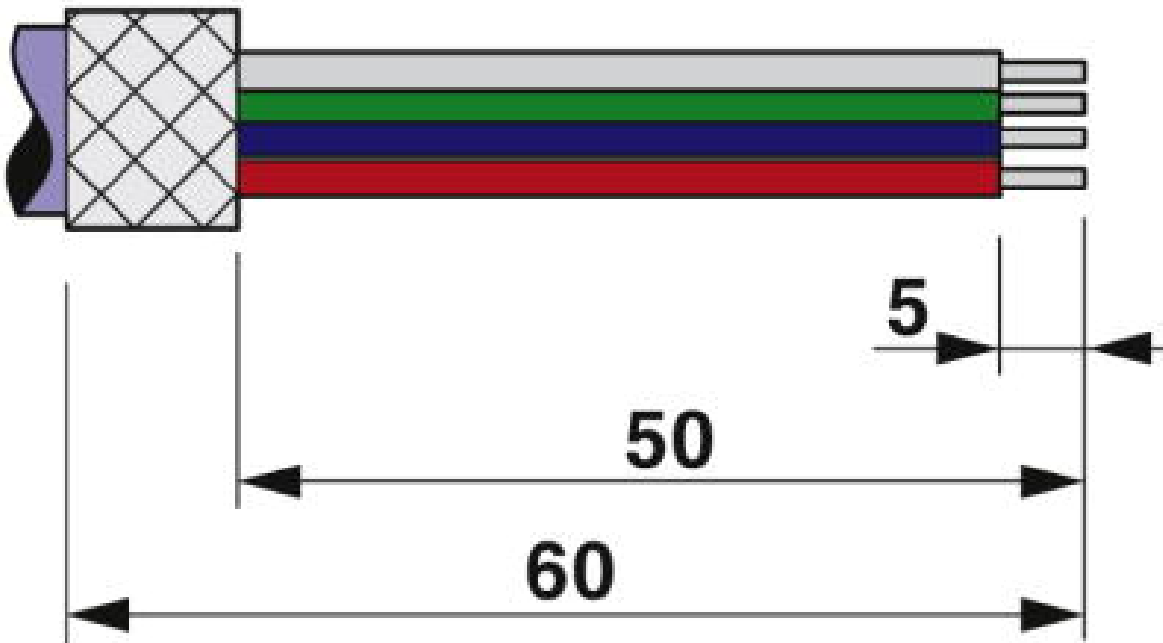
Dimensioned drawing



Dimensional drawing SUBCON-PLUS...

D-SUB bus connector - SUBCON-PLUS F3 - 2761871

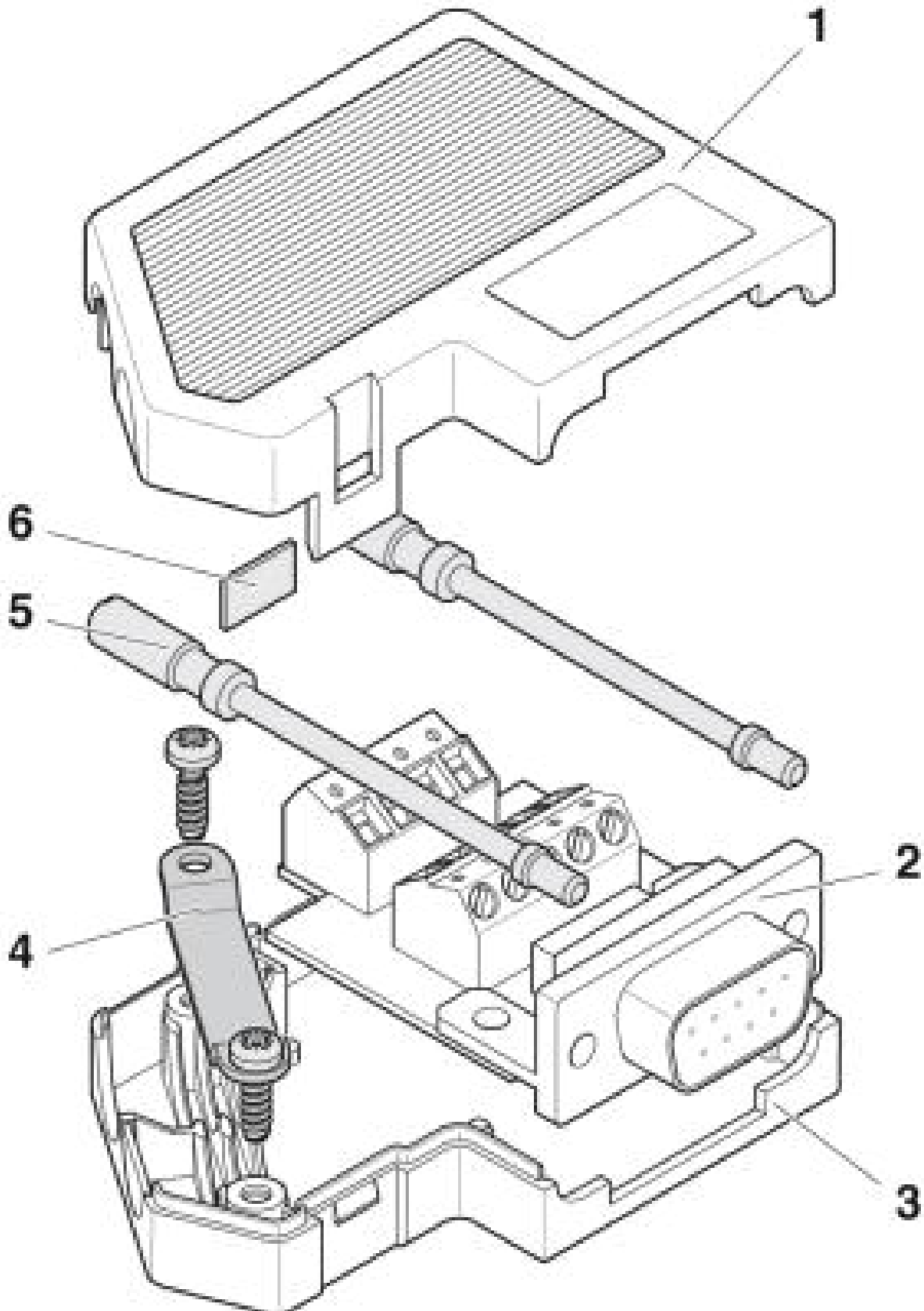
Schematic diagram



Stripping specifications

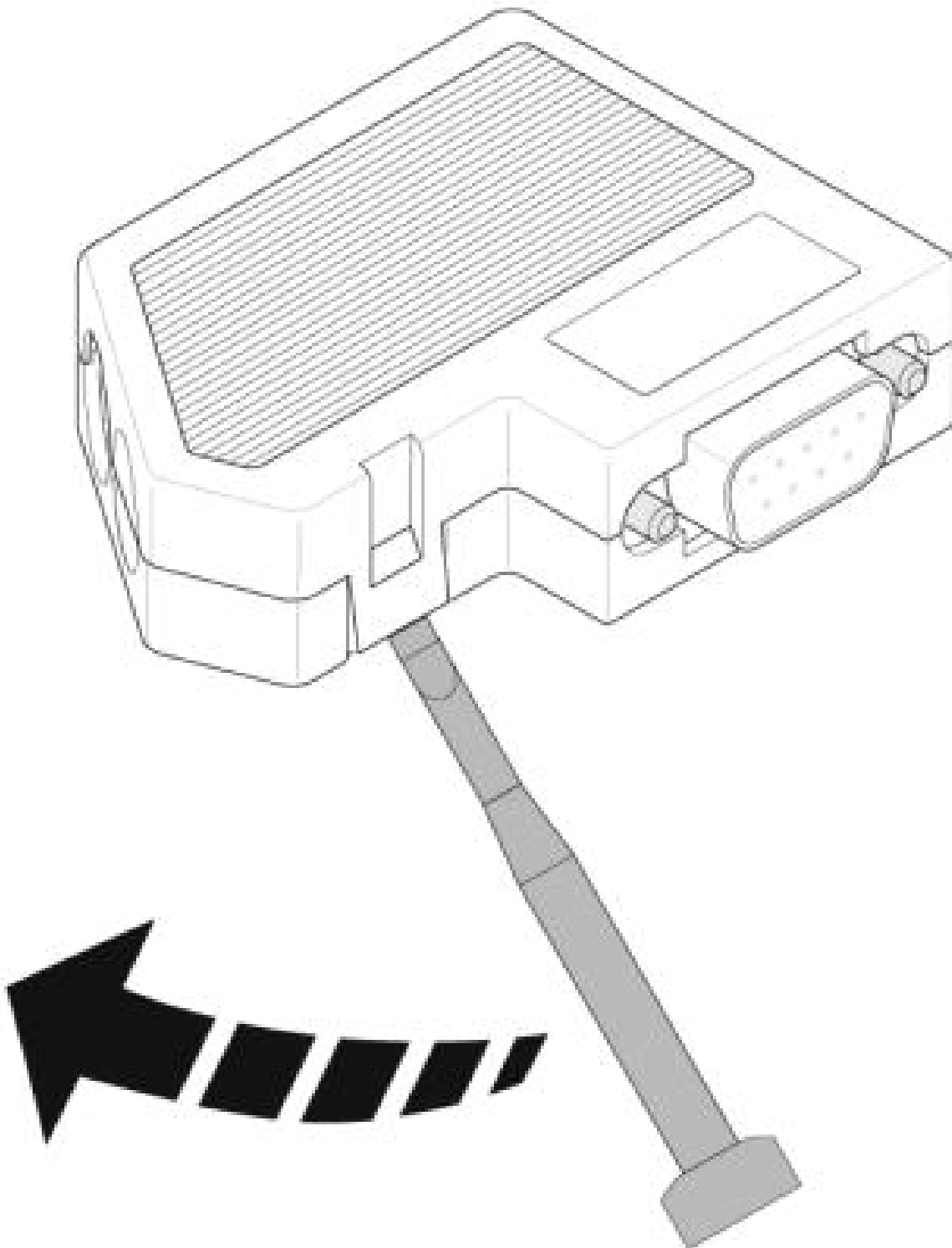
D-SUB bus connector - SUBCON-PLUS F3 - 2761871

Schematic diagram



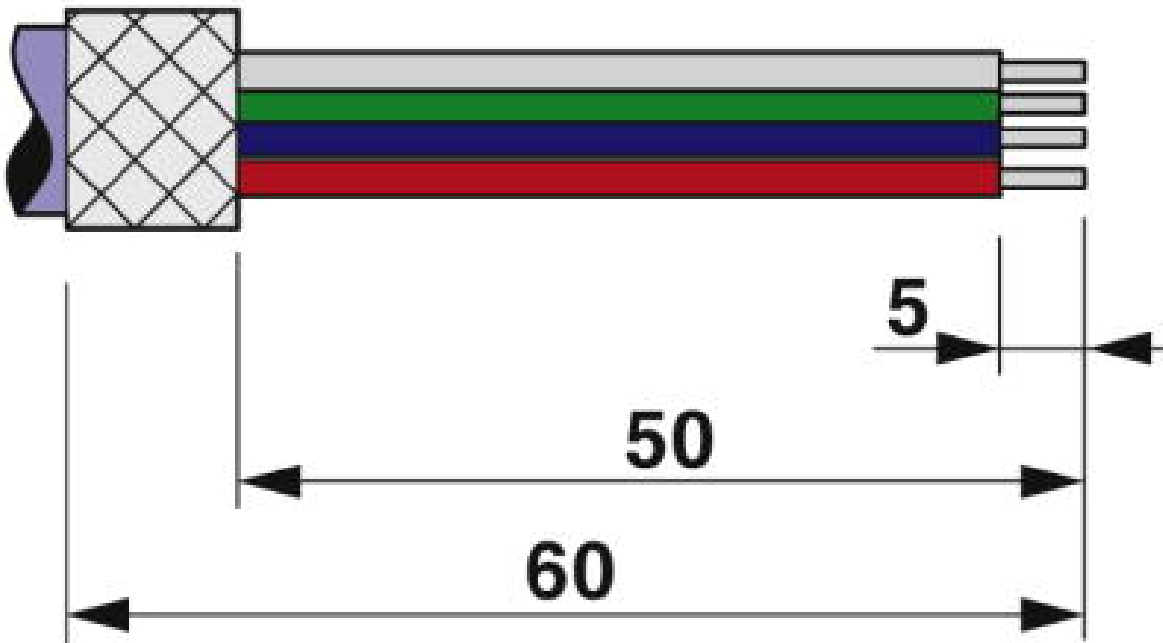
D-SUB bus connector - SUBCON-PLUS F3 - 2761871

Schematic diagram



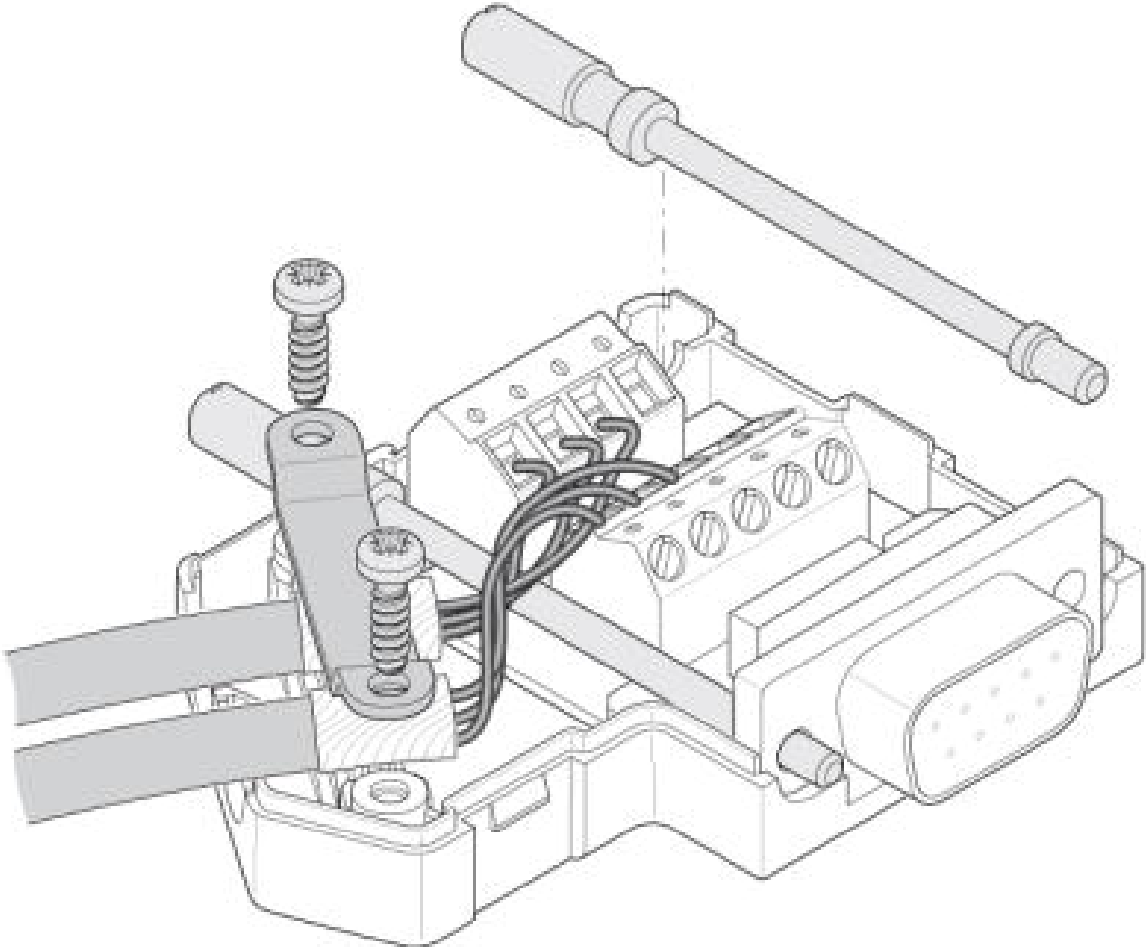
D-SUB bus connector - SUBCON-PLUS F3 - 2761871

Schematic diagram



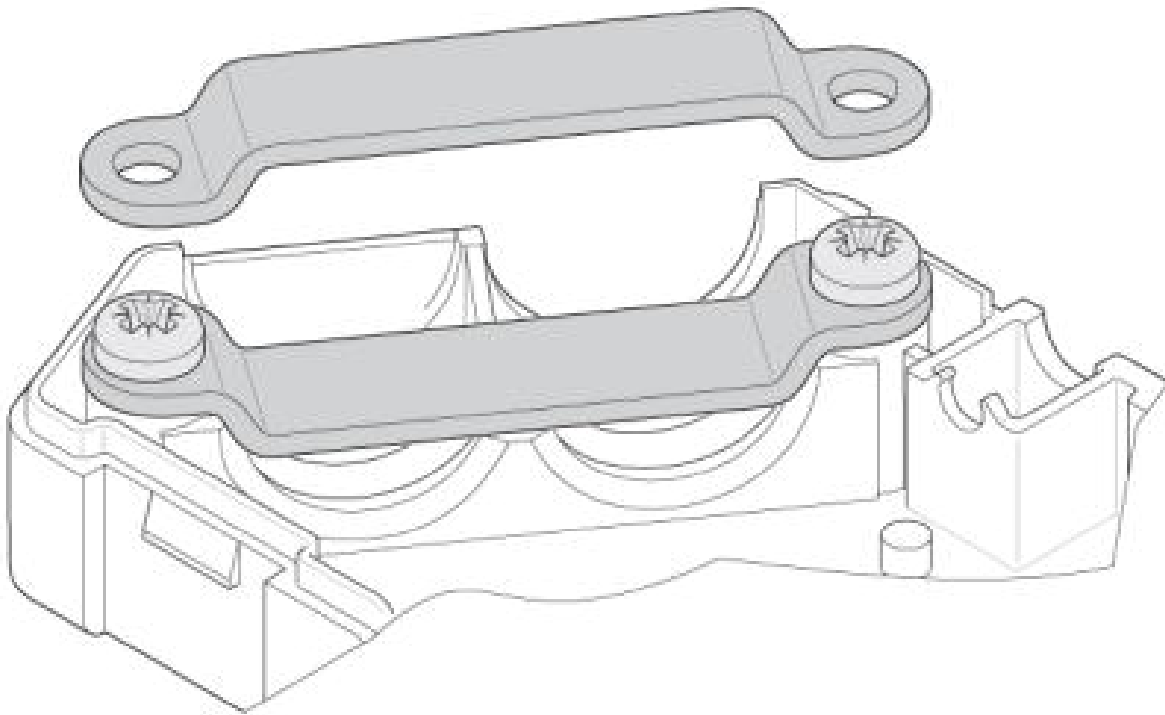
D-SUB bus connector - SUBCON-PLUS F3 - 2761871

Schematic diagram



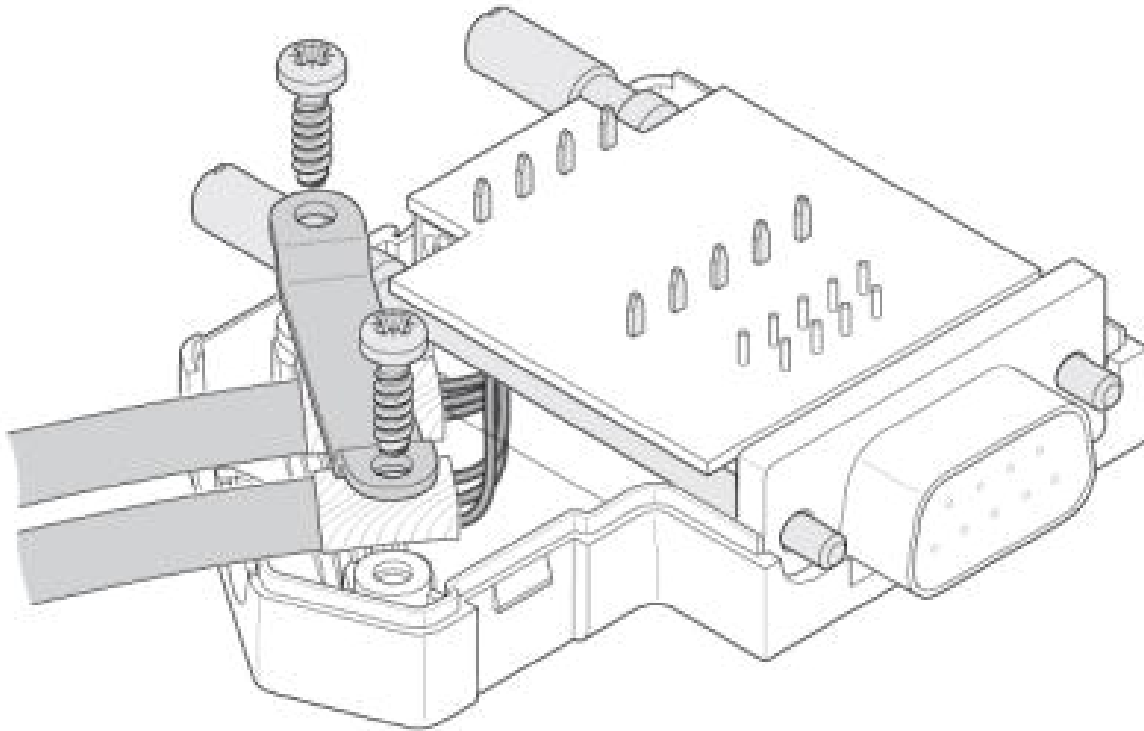
D-SUB bus connector - SUBCON-PLUS F3 - 2761871

Schematic diagram



D-SUB bus connector - SUBCON-PLUS F3 - 2761871

Schematic diagram



© Phoenix Contact 2014 - all rights reserved
<http://www.phoenixcontact.com>