

# D-SUB bus connector - SUBCON-PLUS-PROFIB/AX - 2744377

Please be informed that the data shown in this PDF Document is generated from our Online Catalog. Please find the complete data in the user's documentation. Our General Terms of Use for Downloads are valid (<http://download.phoenixcontact.com>)



D-SUB connector, 9-pos., male connector, axial version with two cable entries, bus system: PROFIBUS DP up to 12 Mbps, termination resistor can be switched on via slide switch, pin assignment: 3, 5, 6, 8; spring-cage connection terminal blocks



## Key commercial data

package_quantity	1
GTIN	4017918818135

## Technical data

### Dimensions

Max. cable diameter	8.4 mm
Min. cable diameter	7.6 mm
Width	17 mm
Height	31.5 mm
Length	58.2 mm

### Ambient conditions

Ambient temperature (operation)	-20 °C ... 70 °C
Ambient temperature (storage/transport)	-25 °C ... 80 °C
Altitude	5000 m (For restrictions see manufacturer's declaration)

### General

Nominal voltage $U_N$	50 V
Nominal current $I_N$	100 mA
Bus system	PROFIBUS DP
Signal	PROFIBUS
Insertion/withdrawal cycles	> 200
SUBCON fixing screws	4-40 UNC
Tightening torque	0.4 Nm
Housing material	ABS, metal-plated
Pin assignment	3, 5, 6, 8

### Connection data

Connection	D-SUB connection
Number of positions	9

# D-SUB bus connector - SUBCON-PLUS-PROFIB/AX - 2744377

## Technical data

### Connection data

<b>Connection method</b>	D-SUB connector
<b>Termination resistor</b>	390 Ω
<b>Termination resistor</b>	220 Ω
<b>Termination resistor</b>	390 Ω (Can be connected externally)
<b>Connection</b>	PCB connection
<b>Connection method</b>	Spring-cage connection
<b>Conductor cross section solid min.</b>	0.12 mm <sup>2</sup>
<b>Conductor cross section solid max.</b>	0.5 mm <sup>2</sup>
<b>Conductor cross section AWG/kcmil min.</b>	26
<b>Conductor cross section AWG/kcmil max</b>	20
<b>Stripping length</b>	9 mm
<b>Tightening torque</b>	0.4 Nm

## classifications

### eCl@ss

<b>eCl@ss 4.0</b>	27140816
<b>eCl@ss 4.1</b>	27140816
<b>eCl@ss 5.0</b>	27143424
<b>eCl@ss 5.1</b>	27143424
<b>eCl@ss 6.0</b>	27143424
<b>eCl@ss 7.0</b>	27440209
<b>eCl@ss 8.0</b>	27440302

### ETIM

<b>ETIM 2.0</b>	EC001132
<b>ETIM 3.0</b>	EC001132
<b>ETIM 4.0</b>	EC001132
<b>ETIM 5.0</b>	EC001132

### UNSPSC

<b>UNSPSC 6.01</b>	30211802
<b>UNSPSC 7.0901</b>	39121402
<b>UNSPSC 11</b>	39121402
<b>UNSPSC 12.01</b>	39121402
<b>UNSPSC 13.2</b>	39121402

## approvals

---


UL Recognized / cUL Recognized / GOST / CSA / cULus Recognized /

---

### Approval details

## D-SUB bus connector - SUBCON-PLUS-PROFIB/AX - 2744377

approvals

UL Recognized 

cUL Recognized 

GOST 

CSA

cULus Recognized 

accessories

**Stripping tool**

QUICK WIREFOX 6 - 1204384



PSM-STRIP-FC/PROFIB - 2744623



**Data cable by the meter**

## D-SUB bus connector - SUBCON-PLUS-PROFIB/AX - 2744377

accessories

PSM-CABLE-PROFIB/FC - 2744652



---

### Screwdriver tools

SZF 0-0,4X2,5 - 1204504



---

SZK PH1 VDE - 1205150



---

### Data plug

SUBCON-PLUS-PROFIB/PB/SC2 - 2708245



---

SUBCON-PLUS-PROFIB/90/PB/IDC - 2313685



## D-SUB bus connector - SUBCON-PLUS-PROFIB/AX - 2744377

accessories

SUBCON-PLUS-PROFIB/AX/SC - 2744380

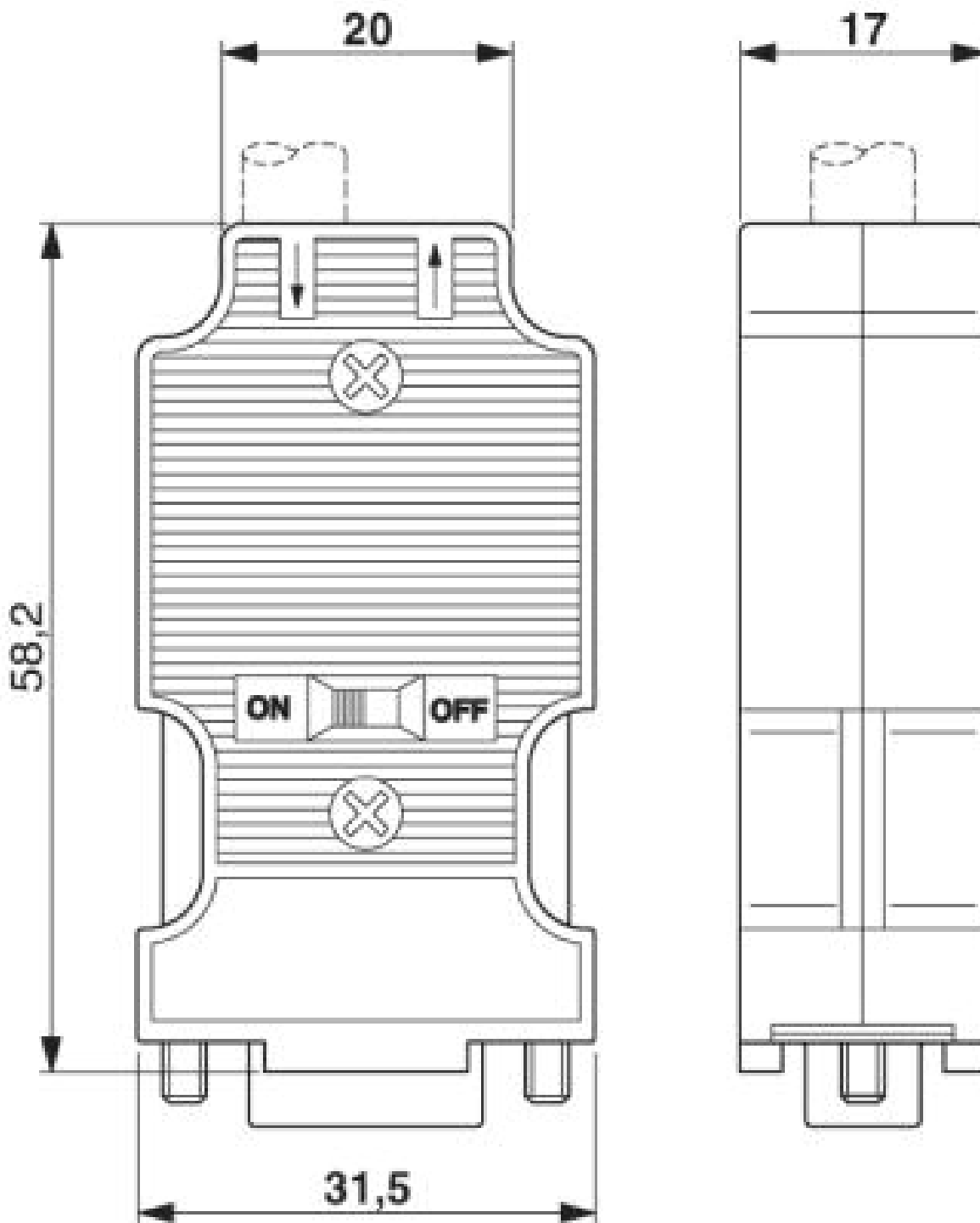


---

Drawings

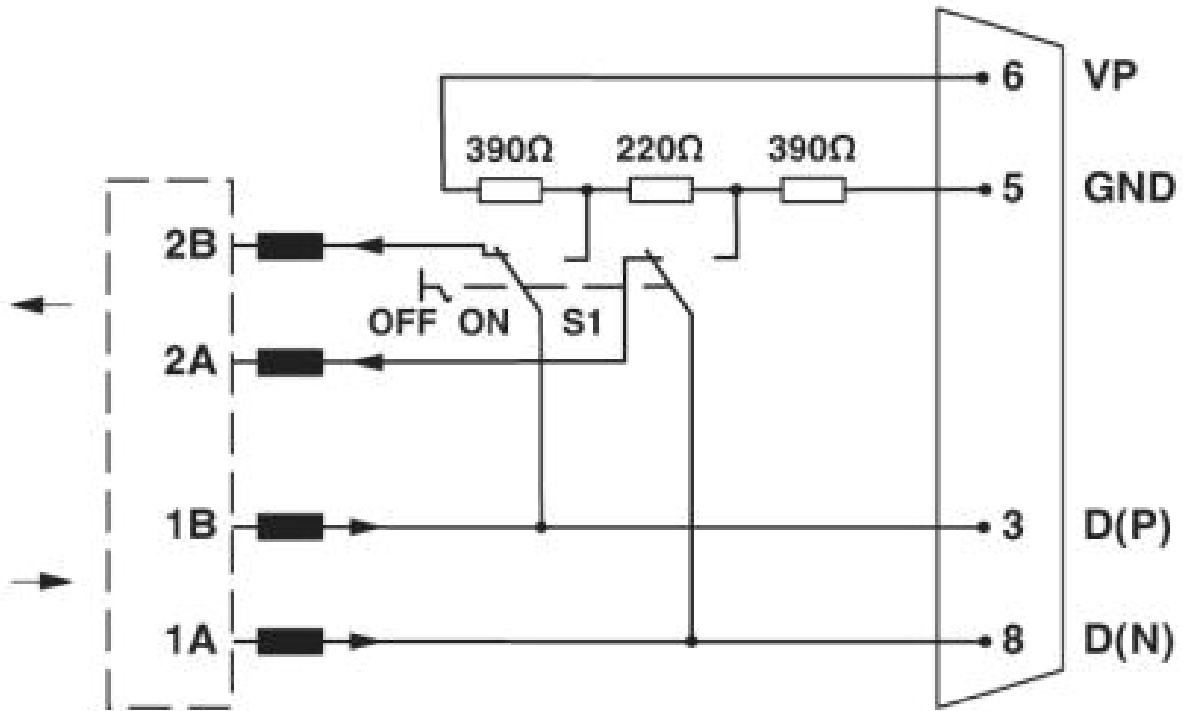
# D-SUB bus connector - SUBCON-PLUS-PROFIB/AX - 2744377

Dimensioned drawing



# D-SUB bus connector - SUBCON-PLUS-PROFIB/AX - 2744377

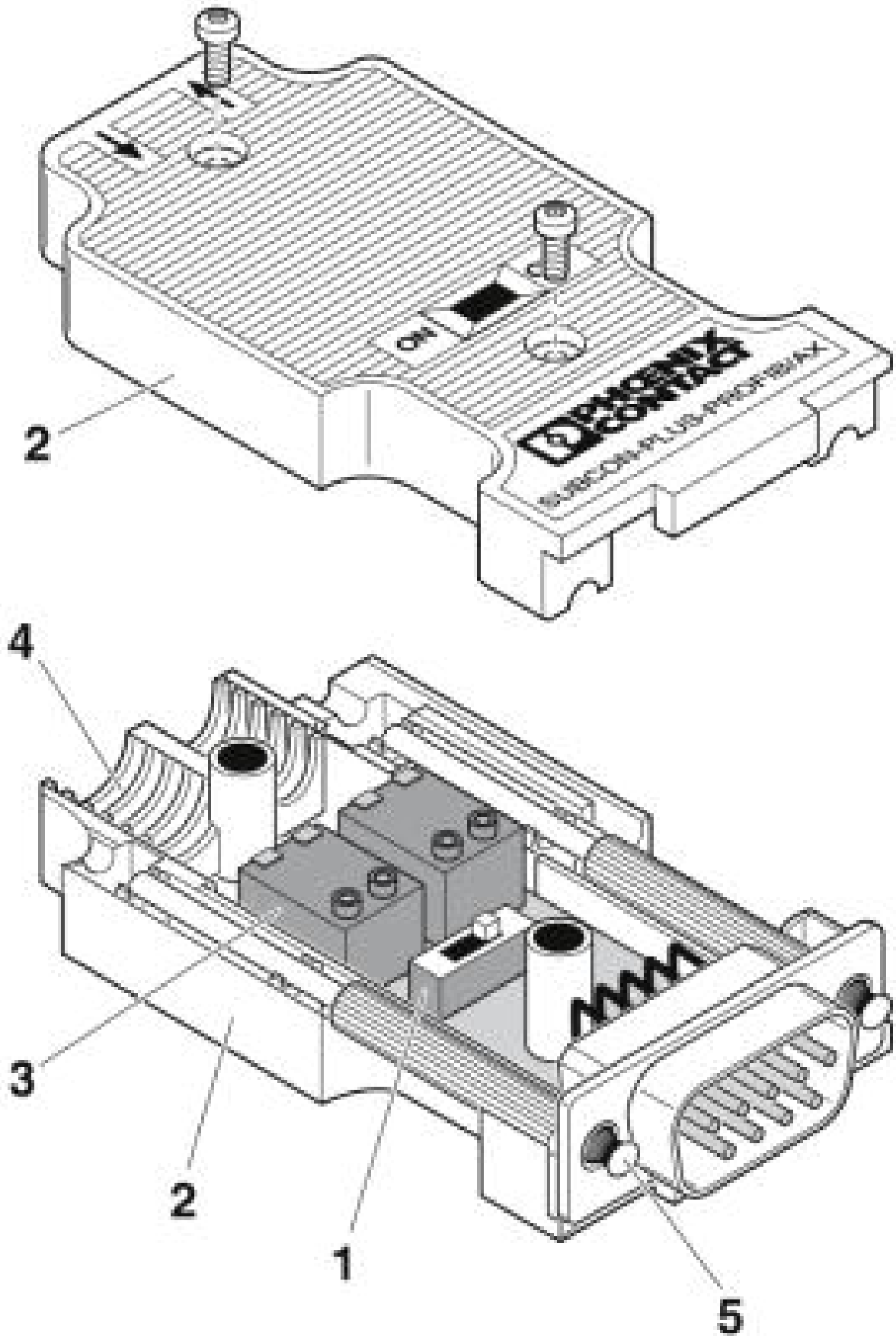
Circuit diagram



Functional diagram of the connector range SUBCON-PLUS-PROFIB/...

# D-SUB bus connector - SUBCON-PLUS-PROFIB/AX - 2744377

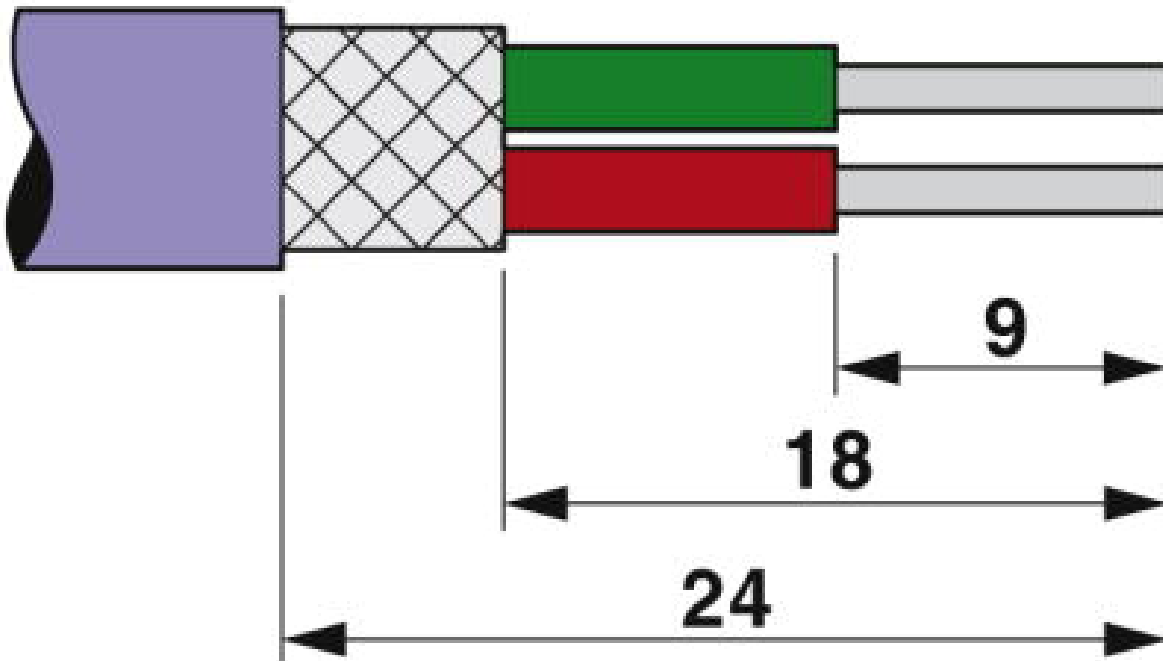
Schematic diagram





# D-SUB bus connector - SUBCON-PLUS-PROFIB/AX - 2744377

Schematic diagram



Stripping specifications

© Phoenix Contact 2014 - all rights reserved  
<http://www.phoenixcontact.com>