

D-SUB bus connector - SUBCON-PLUS-PROFIB/PG/SC2 - 2708245

Please be informed that the data shown in this PDF Document is generated from our Online Catalog. Please find the complete data in the user's documentation. Our General Terms of Use for Downloads are valid (<http://download.phoenixcontact.com>)



D-SUB connector, 9-pos., male connector, cable entry < 35°, bus system: PROFIBUS DP up to 12 Mbps with Pg D-SUB socket for connecting a programming device, termination resistor can be switched on via slide switch, pin assignment: 3, 5, 6, 8; screw connection terminal blocks

SUBCON-PLUS-PROFIB



Key commercial data

package_quantity	1
GTIN	4017918960490

Technical data

Dimensions

Max. cable diameter	8.4 mm
Min. cable diameter	7.6 mm
Width	16.6 mm
Height	39.4 mm
Length	58 mm

Ambient conditions

Ambient temperature (operation)	-20 °C ... 75 °C
Ambient temperature (storage/transport)	-25 °C ... 80 °C
Altitude	5000 m (For restrictions see manufacturer's declaration)

General

Nominal voltage U_N	50 V
Nominal current I_N	100 mA
Bus system	PROFIBUS DP
Signal	PROFIBUS
Insertion/withdrawal cycles	> 200
SUBCON fixing screws	4-40 UNC
Tightening torque	0.4 Nm
Housing material	ABS, metal-plated
Pin assignment	3, 5, 6, 8

Connection data

D-SUB bus connector - SUBCON-PLUS-PROFIB/PG/SC2 - 2708245

Technical data

Connection data

Connection	D-SUB connection
Number of positions	9
Connection method	D-SUB connector
Termination resistor	390 Ω
Termination resistor	220 Ω
Termination resistor	390 Ω (Can be connected externally)
Connection	PCB connection
Connection method	Screw connection
Conductor cross section stranded min.	0.14 mm ²
Conductor cross section stranded max.	1 mm ²
Conductor cross section solid min.	0.14 mm ²
Conductor cross section solid max.	1.5 mm ²
Min. AWG conductor cross section, stranded	26
Max. AWG conductor cross section, stranded	18
Conductor cross section AWG/kcmil min.	26
Conductor cross section AWG/kcmil max	16
Stripping length	5 mm
Tightening torque	0.4 Nm
Connection	Programming connection
Number of positions	9
Connection method	D-SUB socket

classifications

eCl@ss

eCl@ss 4.0	27140816
eCl@ss 4.1	27140816
eCl@ss 5.0	27143424
eCl@ss 5.1	27143424
eCl@ss 6.0	27143424
eCl@ss 7.0	27440209
eCl@ss 8.0	27440302

ETIM

ETIM 2.0	EC001132
ETIM 3.0	EC001132
ETIM 4.0	EC001132
ETIM 5.0	EC001132

UNSPSC

UNSPSC 6.01	30211802
--------------------	----------

D-SUB bus connector - SUBCON-PLUS-PROFIB/PG/SC2 - 2708245

classifications

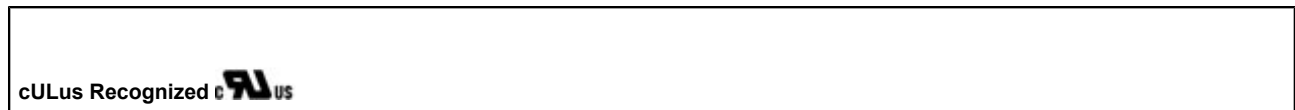
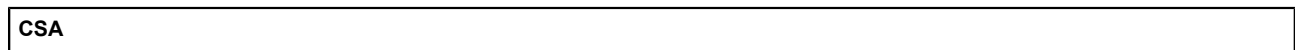
UNSPSC

UNSPSC 7.0901	39121402
UNSPSC 11	39121402
UNSPSC 12.01	39121402
UNSPSC 13.2	39121402

approvals

UL Recognized / cUL Recognized / CSA / cULus Recognized /

Approval details



accessories

Stripping tool

QUICK WIREFOX 6 - 1204384



D-SUB bus connector - SUBCON-PLUS-PROFIB/PG/SC2 - 2708245

accessories

PSM-STRIP-FC/PROFIB - 2744623



Data cable by the meter

PSM-CABLE-PROFIB/FC - 2744652



Screwdriver tools

SZF 0-0,4X2,5 - 1204504



SZK PH1 VDE - 1205150



Data plug

SUBCON-PLUS-PROFIB/SC2 - 2708232



D-SUB bus connector - SUBCON-PLUS-PROFIB/PG/ SC2 - 2708245

accessories

SUBCON-PLUS-PROFIB/90/PG/IDC - 2313685



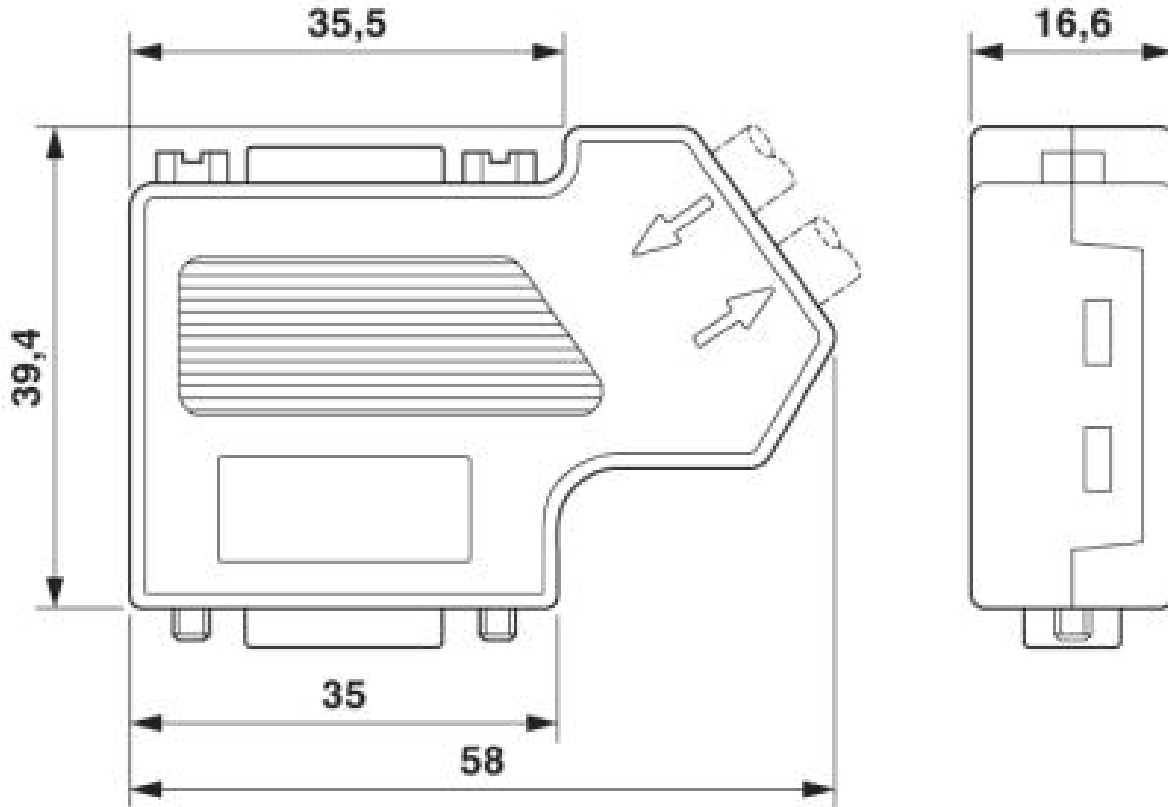
SUBCON-PLUS-PROFIB/AX/SC - 2744380



Drawings

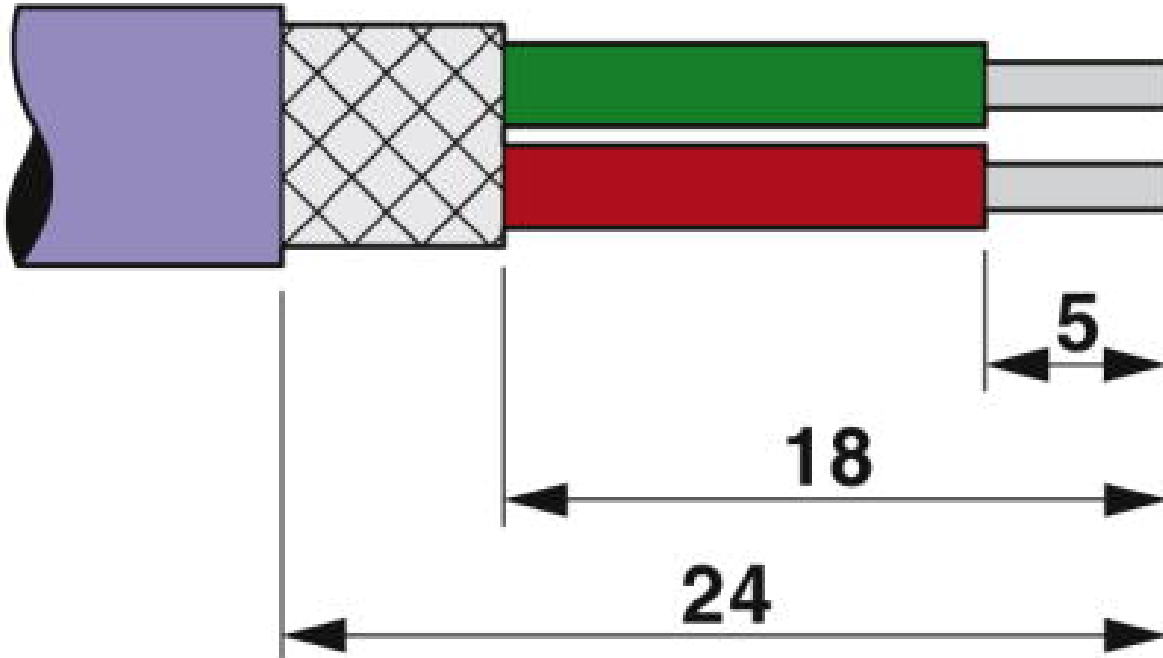
D-SUB bus connector - SUBCON-PLUS-PROFIB/PG/ SC2 - 2708245

Dimensioned drawing



D-SUB bus connector - SUBCON-PLUS-PROFIB/PG/ SC2 - 2708245

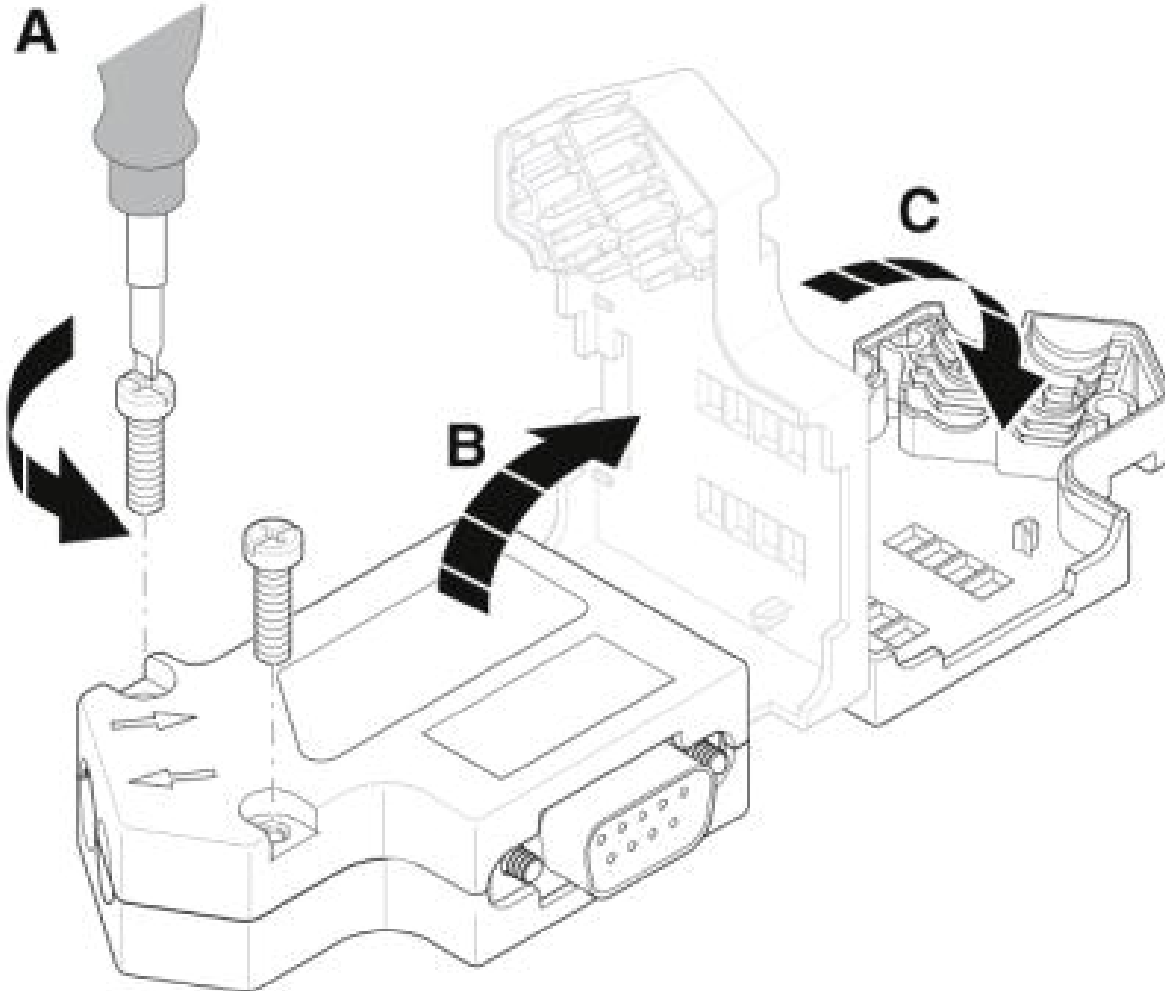
Schematic diagram



Stripping specifications

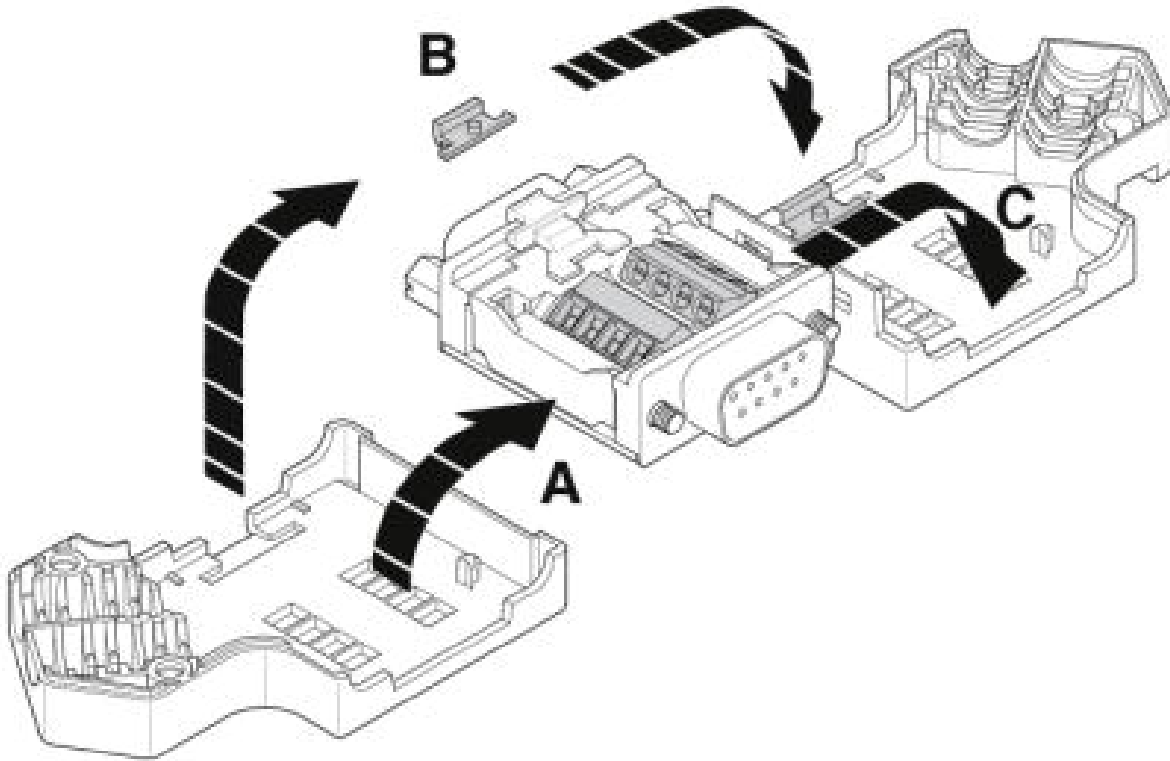
D-SUB bus connector - SUBCON-PLUS-PROFIB/PG/SC2 - 2708245

Schematic diagram



D-SUB bus connector - SUBCON-PLUS-PROFIB/PG/ SC2 - 2708245

Schematic diagram



© Phoenix Contact 2014 - all rights reserved
<http://www.phoenixcontact.com>