

# D-SUB bus connector - SUBCON-PLUS-PROFIB/SC2 - 2708232

Please be informed that the data shown in this PDF Document is generated from our Online Catalog. Please find the complete data in the user's documentation. Our General Terms of Use for Downloads are valid (<http://download.phoenixcontact.com>)



D-SUB connector, 9-pos., male connector, cable entry < 35°, bus system: PROFIBUS DP up to 12 Mbps, termination resistor can be switched on via slide switch, pin assignment: 3, 5, 6, 8; screw connection terminal blocks



## Key commercial data

|                  |               |
|------------------|---------------|
| package_quantity | 1             |
| GTIN             | 4017918960483 |

## Technical data

### Dimensions

|                     |         |
|---------------------|---------|
| Max. cable diameter | 8.4 mm  |
| Min. cable diameter | 7.6 mm  |
| Width               | 16.6 mm |
| Height              | 39.4 mm |
| Length              | 58 mm   |

### Ambient conditions

|   |  |
|---|--|
| Ambient temperature (operation)         | -20 °C ... 75 °C   |
| Ambient temperature (storage/transport) | -25 °C ... 80 °C   |
| Altitude                                | 5000 m (For restrictions see manufacturer's declaration) |

### General

|                             |                   |
|-----------------------------|-------------------|
| Nominal voltage $U_N$       | 50 V              |
| Nominal current $I_N$       | 100 mA            |
| Bus system                  | PROFIBUS DP       |
| Signal                      | PROFIBUS          |
| Insertion/withdrawal cycles | > 200             |
| SUBCON fixing screws        | 4-40 UNC          |
| Tightening torque           | 0.4 Nm            |
| Housing material            | ABS, metal-plated |
| Pin assignment              | 3, 5, 6, 8        |

### Connection data

|                     |                  |
|---------------------|------------------|
| Connection          | D-SUB connection |
| Number of positions | 9                |

## D-SUB bus connector - SUBCON-PLUS-PROFIB/SC2 - 2708232

### Technical data

#### Connection data

|  |                                     |
|--|-------------------------------------|
| Connection method                          | D-SUB connector                     |
| Termination resistor                       | 390 Ω                               |
| Termination resistor                       | 220 Ω                               |
| Termination resistor                       | 390 Ω (Can be connected externally) |
| Connection                                 | PCB connection                      |
| Connection method                          | Screw connection                    |
| Conductor cross section stranded min.      | 0.14 mm <sup>2</sup>                |
| Conductor cross section stranded max.      | 1 mm <sup>2</sup>                   |
| Conductor cross section solid min.         | 0.14 mm <sup>2</sup>                |
| Conductor cross section solid max.         | 1.5 mm <sup>2</sup>                 |
| Min. AWG conductor cross section, stranded | 26                                  |
| Max. AWG conductor cross section, stranded | 18                                  |
| Conductor cross section AWG/kcmil min.     | 26                                  |
| Conductor cross section AWG/kcmil max      | 16                                  |
| Stripping length                           | 5 mm                                |
| Tightening torque                          | 0.4 Nm                              |

### classifications

#### eCl@ss

|            |          |
|------------|----------|
| eCl@ss 4.0 | 27140816 |
| eCl@ss 4.1 | 27140816 |
| eCl@ss 5.0 | 27143424 |
| eCl@ss 5.1 | 27143424 |
| eCl@ss 6.0 | 27143424 |
| eCl@ss 7.0 | 27440209 |
| eCl@ss 8.0 | 27440302 |

#### ETIM

|          |          |
|----------|----------|
| ETIM 2.0 | EC001132 |
| ETIM 3.0 | EC001132 |
| ETIM 4.0 | EC001132 |
| ETIM 5.0 | EC001132 |

#### UNSPSC

|               |          |
|---------------|----------|
| UNSPSC 6.01   | 30211802 |
| UNSPSC 7.0901 | 39121402 |
| UNSPSC 11     | 39121402 |
| UNSPSC 12.01  | 39121402 |
| UNSPSC 13.2   | 39121402 |

# D-SUB bus connector - SUBCON-PLUS-PROFIB/SC2 - 2708232


## approvals

---

UL Recognized / cUL Recognized / CSA / cULus Recognized /

---

### Approval details

UL Recognized 

cUL Recognized 

CSA

cULus Recognized 

## accessories

### Stripping tool

QUICK WIREFOX 6 - 1204384



---

PSM-STRIP-FC/PROFIB - 2744623



---

### Data cable by the meter

## D-SUB bus connector - SUBCON-PLUS-PROFIB/SC2 - 2708232

### accessories

PSM-CABLE-PROFIB/FC - 2744652



---

### Screwdriver tools

SZF 0-0,4X2,5 - 1204504



---

SZK PH1 VDE - 1205150



---

### Data plug

SUBCON-PLUS-PROFIB/PG/SC2 - 2708245



---

SUBCON-PLUS-PROFIB/90/PG/IDC - 2313685



# D-SUB bus connector - SUBCON-PLUS-PROFIB/SC2 - 2708232

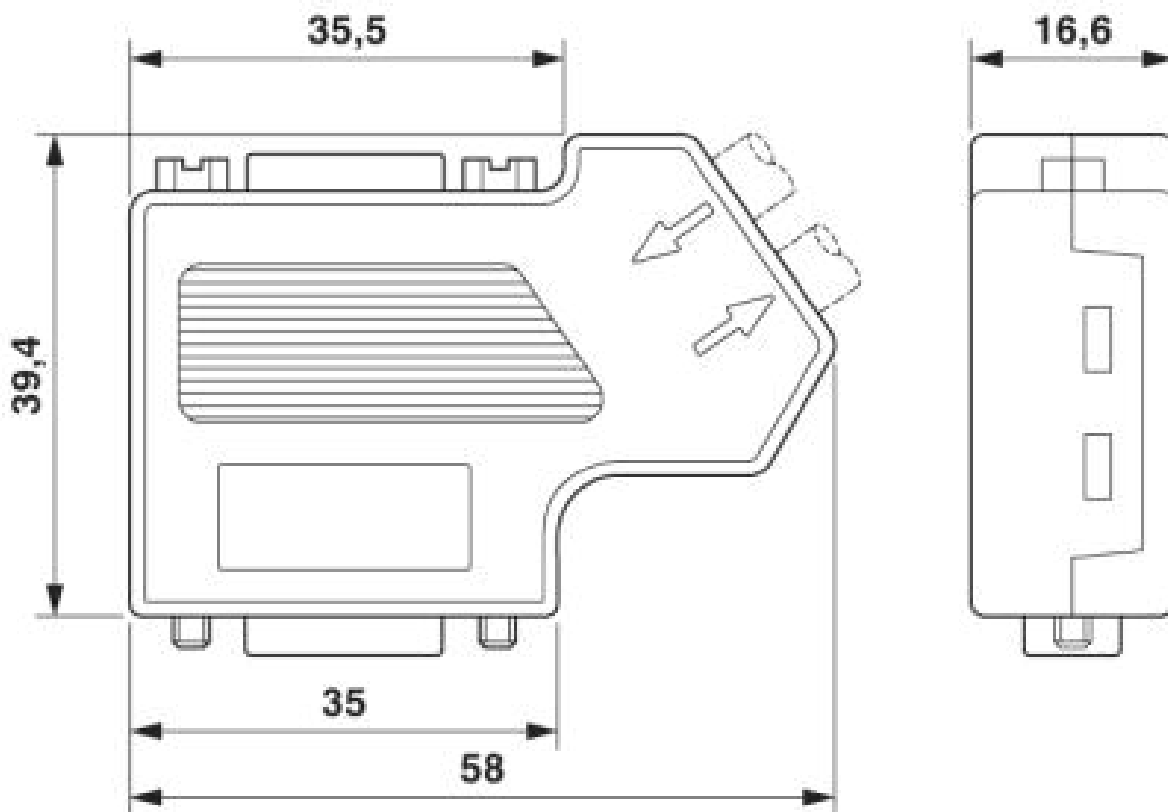
accessories

SUBCON-PLUS-PROFIB/AX/SC - 2744380



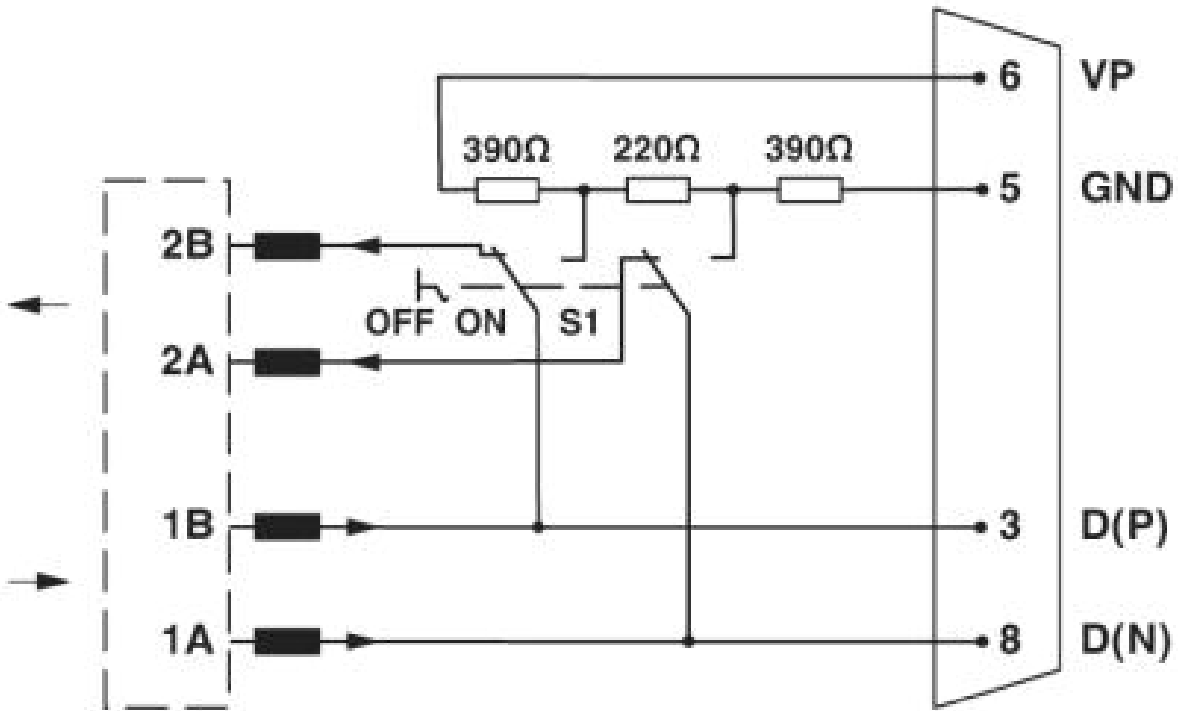
## Drawings

Dimensioned drawing



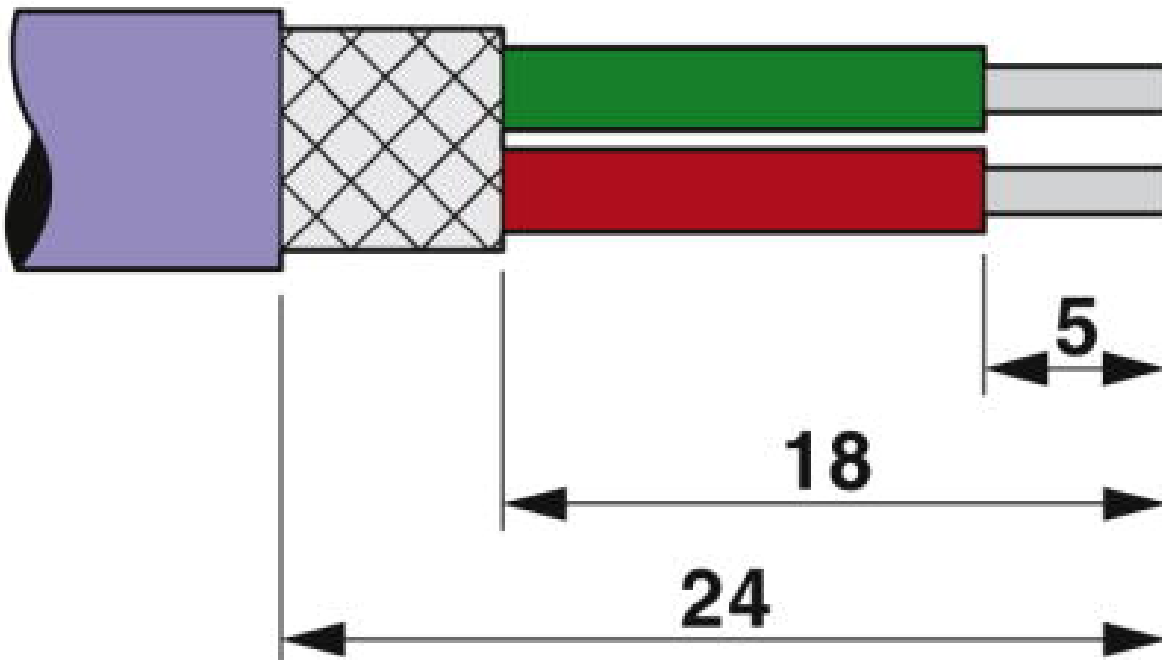
# D-SUB bus connector - SUBCON-PLUS-PROFIB/SC2 - 2708232

Circuit diagram



Functional diagram of the connector range SUBCON-PLUS-PROFIB/...

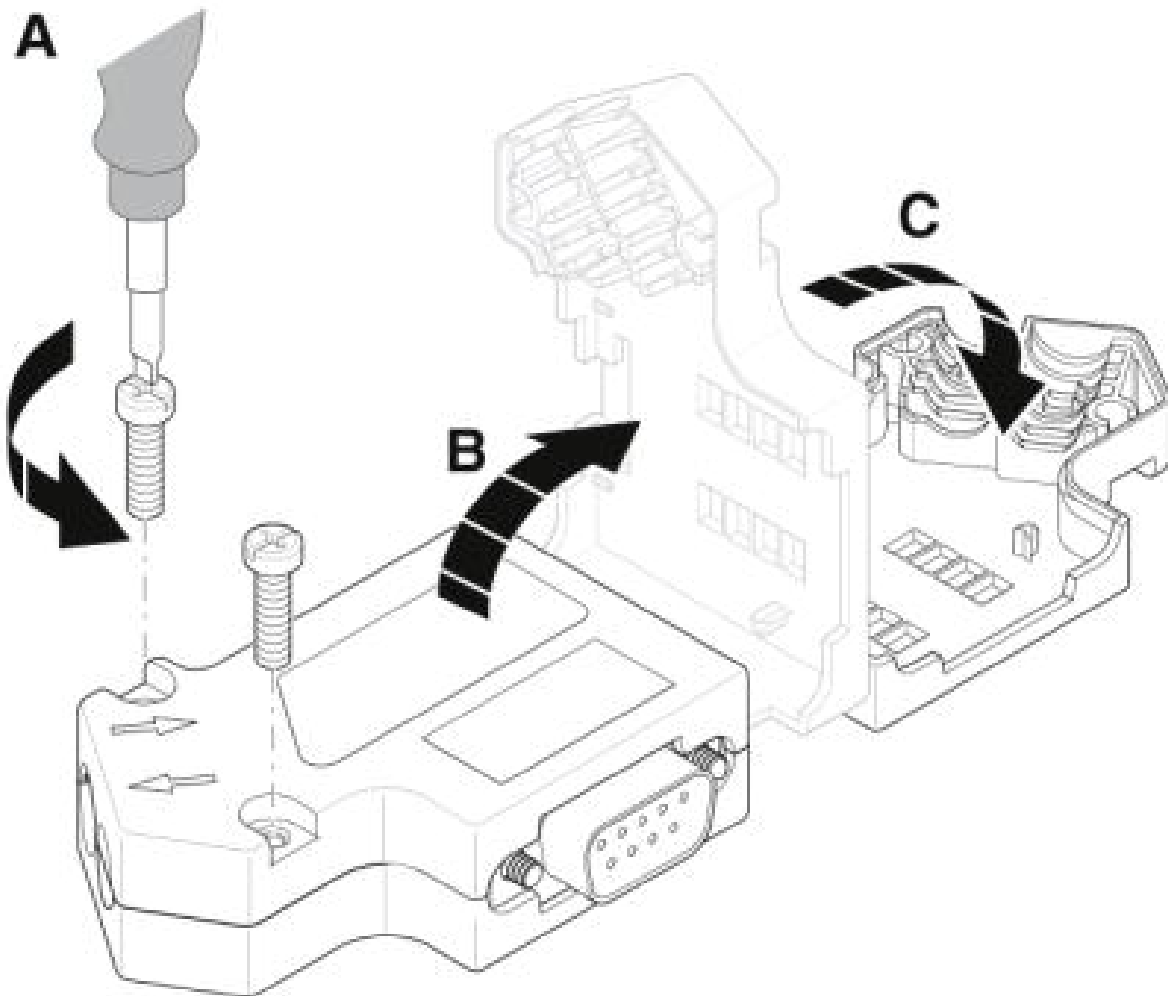
Schematic diagram



Stripping specifications

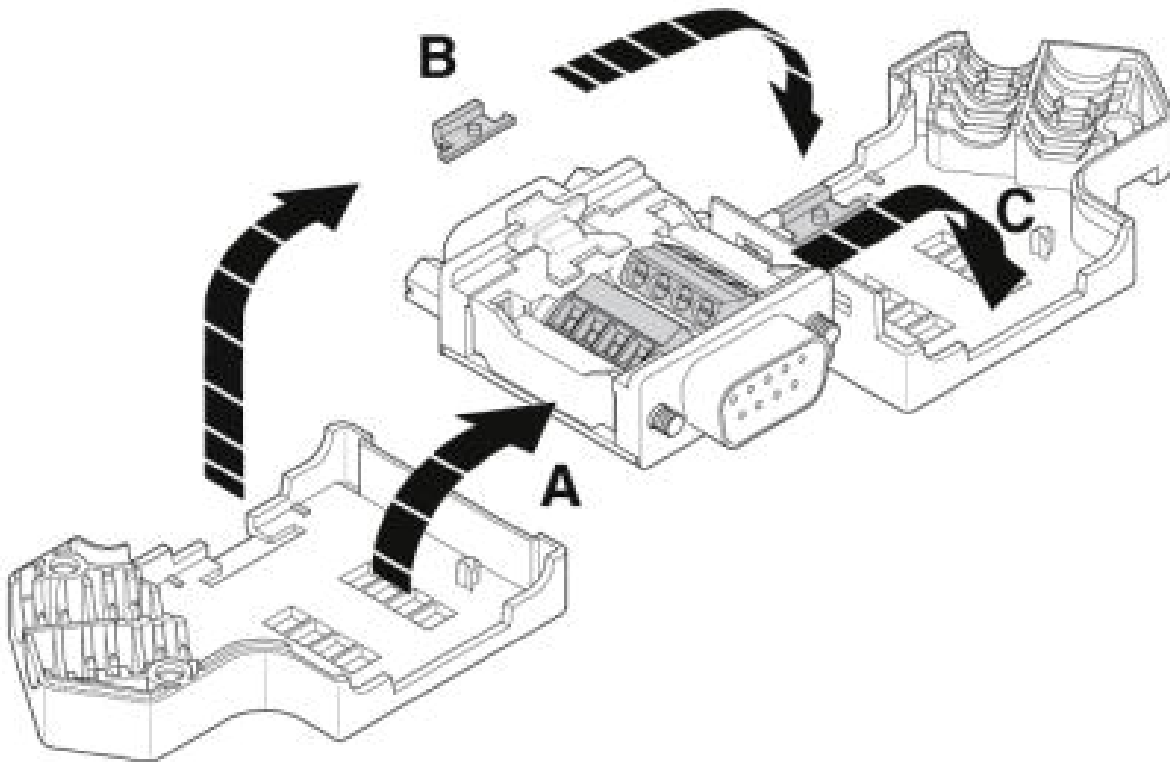
# D-SUB bus connector - SUBCON-PLUS-PROFIB/SC2 - 2708232

Schematic diagram



# D-SUB bus connector - SUBCON-PLUS-PROFIB/SC2 - 2708232

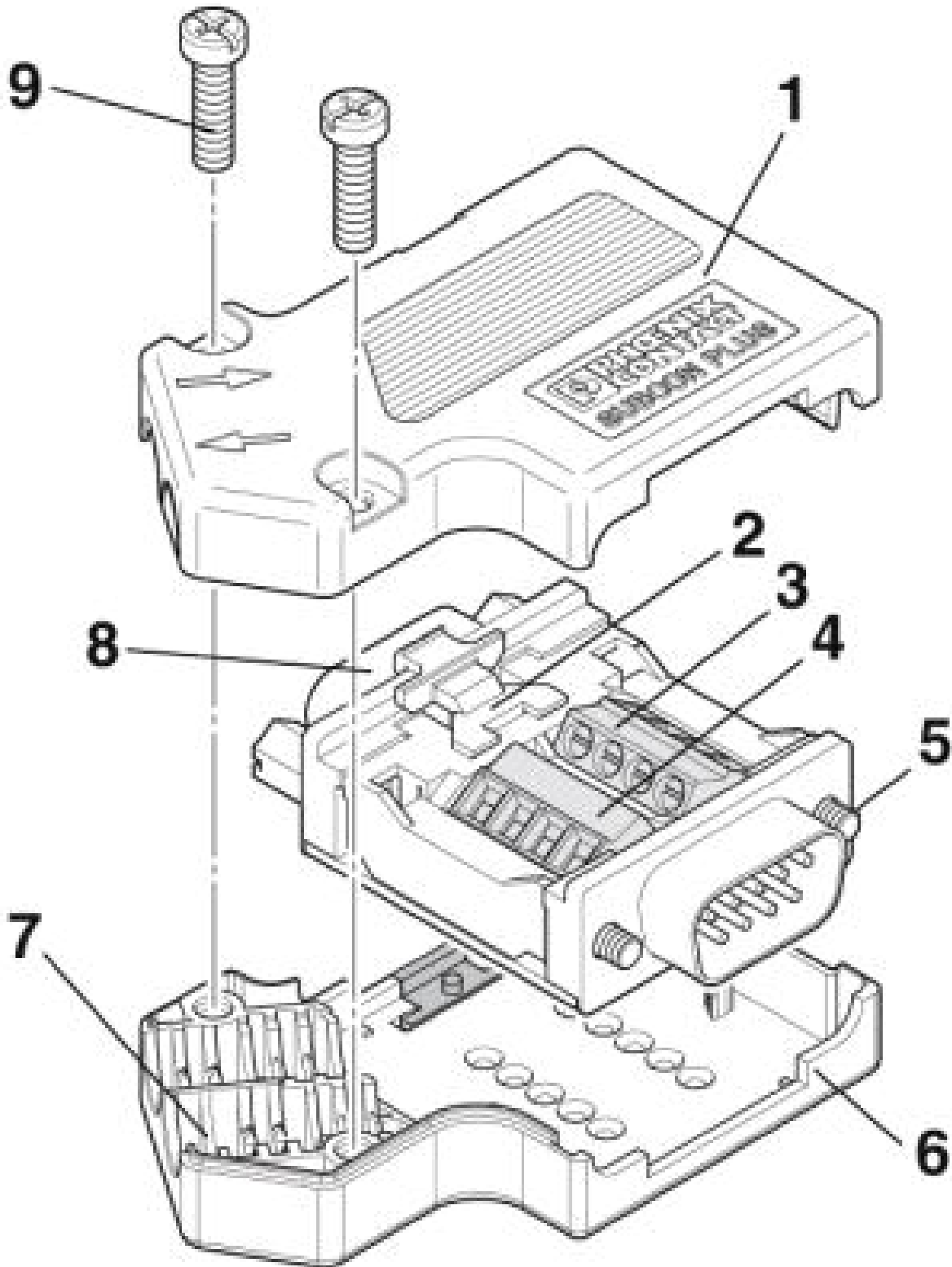
Schematic diagram





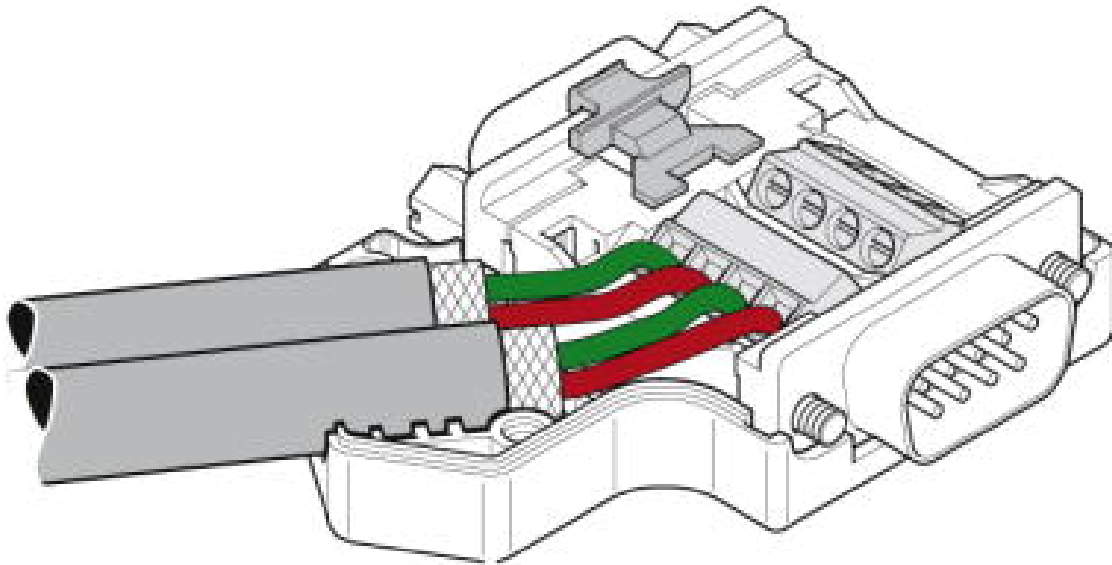
# D-SUB bus connector - SUBCON-PLUS-PROFIB/SC2 - 2708232

Schematic diagram



## D-SUB bus connector - SUBCON-PLUS-PROFIB/SC2 - 2708232

Schematic diagram



Connecting the cables

© Phoenix Contact 2014 - all rights reserved  
<http://www.phoenixcontact.com>