

# D-SUB bus connector - SUBCON-PLUS-PROFIB/90/IDC - 2313672

Please be informed that the data shown in this PDF Document is generated from our Online Catalog. Please find the complete data in the user's documentation. Our General Terms of Use for Downloads are valid (<http://download.phoenixcontact.com>)



D-SUB connector, 9-pos., male connector, cable entry < 90°, bus system: PROFIBUS DP up to 12 Mbps, termination resistor can be switched on via slide switch, pin assignment: 3, 5, 6, 8; IDC terminal block connection



## Key commercial data

package_quantity	1
GTIN	4046356514583

## Technical data

### Dimensions

Max. cable diameter	8.4 mm
Min. cable diameter	7.6 mm
Width	16.8 mm
Height	34.8 mm
Length	72 mm

### Ambient conditions

Ambient temperature (operation)	-20 °C ... 75 °C
Ambient temperature (storage/transport)	-25 °C ... 80 °C
Altitude	5000 m (For restrictions see manufacturer's declaration)

### General

Nominal voltage $U_N$	5 V AC/DC
Nominal current $I_N$	100 mA
Bus system	PROFIBUS DP
Signal	PROFIBUS
Insertion/withdrawal cycles	> 200
Test voltage	50 V
SUBCON fixing screws	4-40 UNC
Tightening torque	0.4 Nm
Housing material	ABS, metal-plated
Pin assignment	3, 5, 6, 8

### Connection data

Connection	D-SUB connection
------------	------------------

# D-SUB bus connector - SUBCON-PLUS-PROFIB/90/IDC - 2313672

## Technical data

### Connection data

<b>Number of positions</b>	9
<b>Connection method</b>	D-SUB connector
<b>Termination resistor</b>	390 Ω
<b>Termination resistor</b>	220 Ω
<b>Termination resistor</b>	390 Ω (Can be connected externally)
<b>Connection</b>	IDC terminal blocks
<b>Connection method</b>	IDC fast connection
<b>Conductor cross section stranded min.</b>	0.32 mm <sup>2</sup>
<b>Conductor cross section stranded max.</b>	1 mm <sup>2</sup>
<b>Conductor cross section solid min.</b>	0.32 mm <sup>2</sup>
<b>Conductor cross section solid max.</b>	1 mm <sup>2</sup>
<b>Min. AWG conductor cross section, stranded</b>	22
<b>Max. AWG conductor cross section, stranded</b>	18
<b>Conductor cross section AWG/kcmil min.</b>	22
<b>Conductor cross section AWG/kcmil max</b>	18

## classifications

### eCl@ss

<b>eCl@ss 4.0</b>	272607xx
<b>eCl@ss 4.1</b>	27260701
<b>eCl@ss 5.0</b>	27143424
<b>eCl@ss 5.1</b>	27143424
<b>eCl@ss 6.0</b>	27143424
<b>eCl@ss 7.0</b>	27440209
<b>eCl@ss 8.0</b>	27440302

### ETIM

<b>ETIM 3.0</b>	EC001132
<b>ETIM 4.0</b>	EC001132
<b>ETIM 5.0</b>	EC001132

### UNSPSC

<b>UNSPSC 6.01</b>	30211802
<b>UNSPSC 7.0901</b>	39121402
<b>UNSPSC 11</b>	39121402
<b>UNSPSC 12.01</b>	39121402
<b>UNSPSC 13.2</b>	39121402

## approvals

---

CSA / UL Recognized / cUL Recognized / cULus Recognized /

# D-SUB bus connector - SUBCON-PLUS-PROFIB/90/IDC - 2313672

approvals

Approval details

CSA

UL Recognized

cUL Recognized

cULus Recognized

accessories

## Stripping tool

QUICK WIREFOX 6 - 1204384



PSM-STRIP-FC/PROFIB - 2744623



## Data cable by the meter

PSM-CABLE-PROFIB/FC - 2744652



## D-SUB bus connector - SUBCON-PLUS-PROFIB/90/IDC - 2313672

accessories

### Screwdriver tools

SZF 0-0,4X2,5 - 1204504



SZK PH1 VDE - 1205150



### Data plug

SUBCON-PLUS-PROFIB/90/PG/IDC - 2313685



SUBCON-PLUS-PROFIB/PG/SC2 - 2708245



SUBCON-PLUS-PROFIB/AX/SC - 2744380



# D-SUB bus connector - SUBCON-PLUS-PROFIB/90/IDC - 2313672

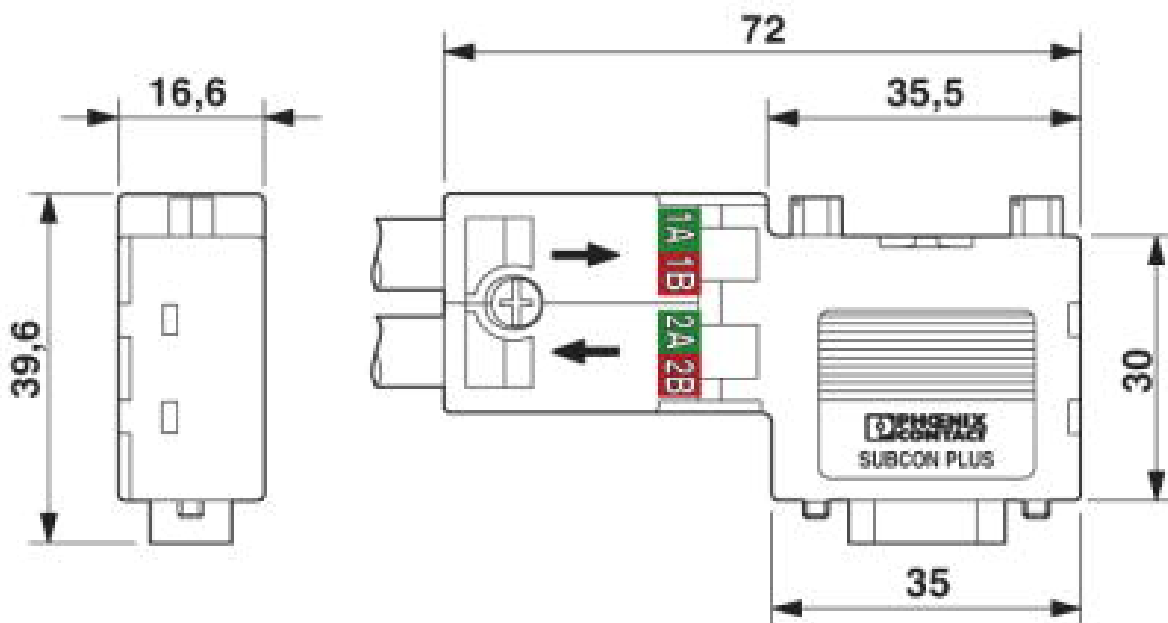
accessories

SUBCON-PLUS-PROFIB/90/SC - 2313698



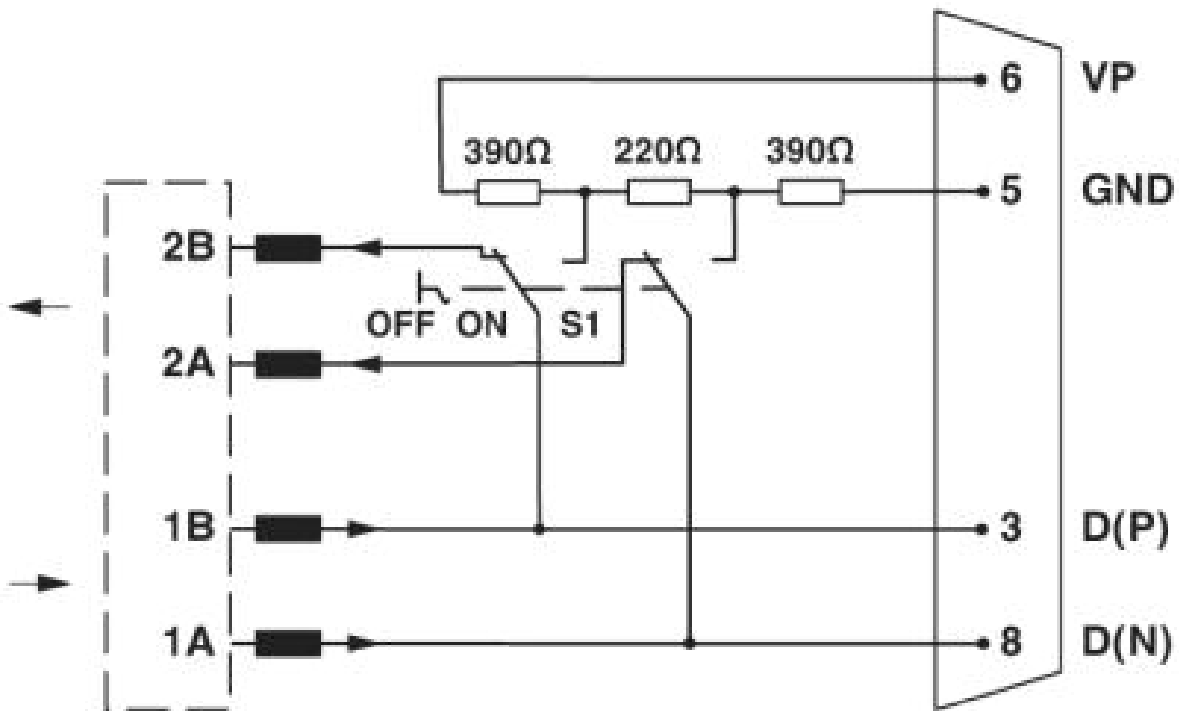
## Drawings

Dimensioned drawing



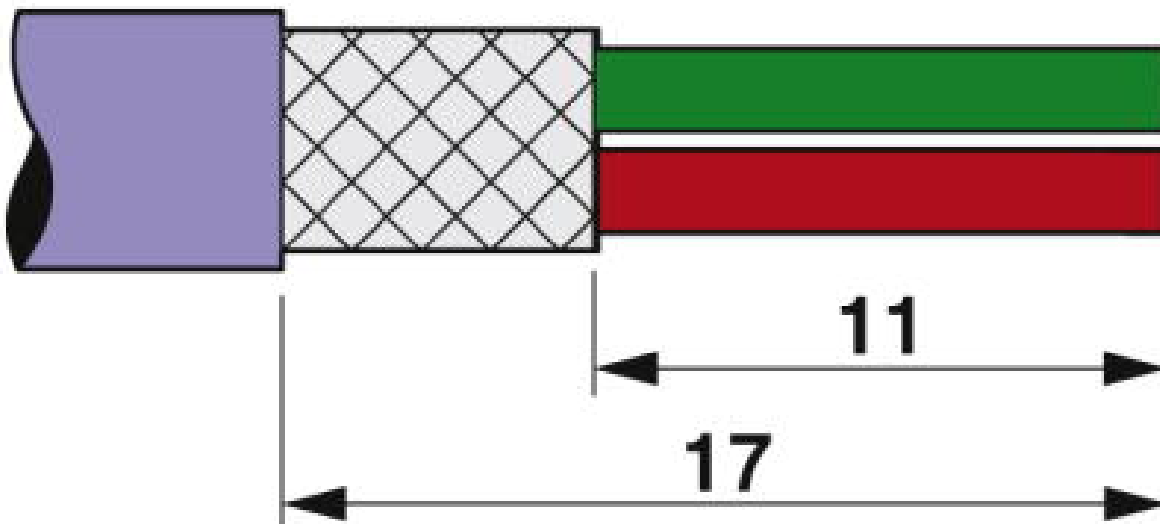
# D-SUB bus connector - SUBCON-PLUS-PROFIB/90/IDC - 2313672

Circuit diagram



Functional diagram of the connector range SUBCON-PLUS-PROFIB/...

Schematic diagram



Stripping specifications

# D-SUB bus connector - SUBCON-PLUS-PROFIB/90/IDC - 2313672

Schematic diagram

