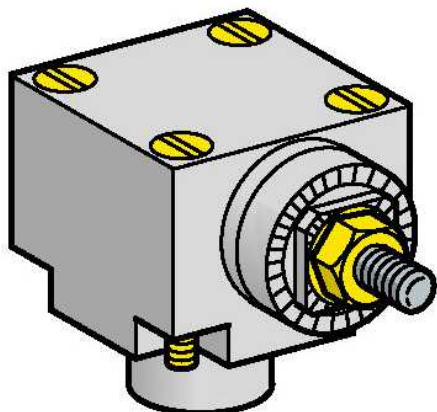


## ZCKE055

limit switch head ZCKE - without lever left and  
right actuation - +120 °C



### Main

|                           |  |
|---------------------------|--|
| Commercial Status         | Commercialised   |
| Range of product          | OsiSense XC  |
| Series name               | Standard format  |
| Product or component type | Limit switch head  |
| Device short name         | ZCKE   |
| Head type                 | Rotary head  |
| Product compatibility     | XCKJ   |
| Associated lever          | ZCKY11<br>ZCKY13<br>ZCKY14<br>ZCKY41<br>ZCKY43<br>ZCKY51<br>ZCKY52<br>ZCKY53<br>ZCKY59<br>ZCKY81<br>ZCKY91 |

The information provided in this documentation contains general descriptions and/or technical characteristics of the performance of the products contained herein. This documentation is not intended as a substitute for and is not to be used for determining suitability or reliability of these products for specific user applications. It is the duty of any such user or integrator to perform the appropriate and complete risk analysis, evaluation and testing of the products with respect to the relevant specific application or use thereof. Neither Schneider Electric Industries SAS nor any of its affiliates or subsidiaries shall be responsible or liable for misuse of the information contained herein.

|                            |  |
|----------------------------|--|
| Associated body            | ZCKJ1<br>ZCKJ11<br>ZCKJ11H29<br>ZCKJ11H7<br>ZCKJ1H29<br>ZCKJ1H7<br>ZCKJ2<br>ZCKJ21<br>ZCKJ21H29<br>ZCKJ21H7<br>ZCKJ2H29<br>ZCKJ2H7<br>ZCKJ4<br>ZCKJ404<br>ZCKJ404H29<br>ZCKJ404H7<br>ZCKJ41<br>ZCKJ4104<br>ZCKJ4104H29<br>ZCKJ4104H7<br>ZCKJ41H29<br>ZCKJ41H7<br>ZCKJ4H29<br>ZCKJ4H7<br>ZCKJ5<br>ZCKJ5H29<br>ZCKJ5H7<br>ZCKJ6<br>ZCKJ6H29<br>ZCKJ6H7<br>ZCKJ7<br>ZCKJ7H29<br>ZCKJ7H7<br>ZCKJ8<br>ZCKJ8H29<br>ZCKJ8H7<br>ZCKJ9<br>ZCKJ9H29<br>ZCKJ9H7<br>ZCKJD31<br>ZCKJD31H29<br>ZCKJD31H7<br>ZCKJD35<br>ZCKJD35H29<br>ZCKJD35H7<br>ZCKJD37<br>ZCKJD37H29<br>ZCKJD37H7<br>ZCKJD39<br>ZCKJD39H29<br>ZCKJD39H7 |
| Movement of operating head | Rotary   |
| Type of operator           | Without operating lever spring return  |
| Type of approach           | Lateral approach 1 or 2 programmable direction   |

### Complementary

|                  |   |
|------------------|---|
| Switch actuation | From left and/or right<br>CW and/or CCW |
| Positive opening | With                                    |
| Product weight   | 0.165 kg                                |
| Head material    | Metal                                   |

### Environment

|                                       |                  |
|---------------------------------------|------------------|
| Ambient air temperature for operation | 20...120 °C      |
| Ambient air temperature for storage   | -25...70 °C      |
| Environmental characteristic          | High temperature |