

### Track-mounted (DIN Track) Socket Conforms to VDE 0106, Part 100

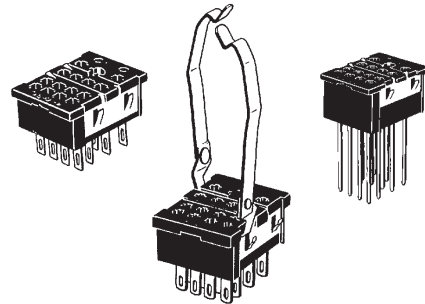
- Snap into position along continuous sections of any mounting track.
- Facilitates sheet metal design by standardized mounting dimensions.
- Design with sufficient dielectric separation between terminals eliminates the need of any insulating sheet.



### ■ Safety Standards for Sockets

Model	Standards	File No.
PYF08A-E PYF14A-E	UL508	E87929
	CSA22.2	LR31928

### Back-connecting Sockets



## Specifications

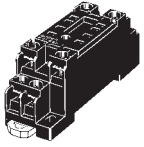
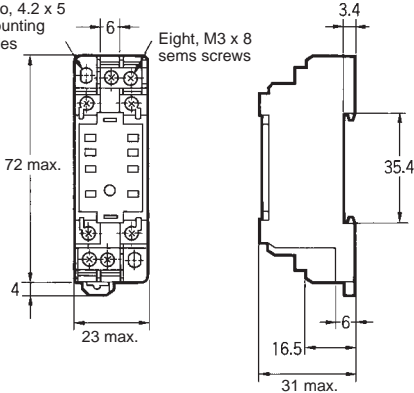
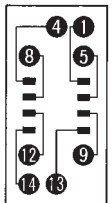
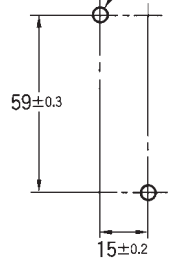
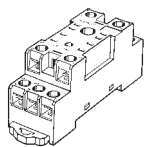
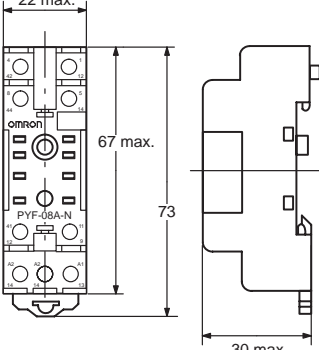
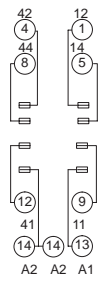
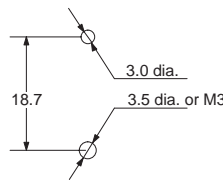
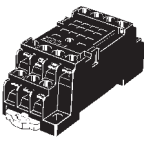
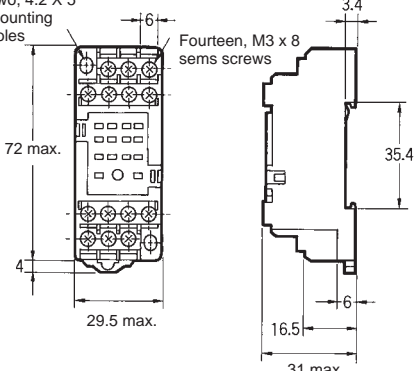
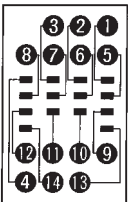
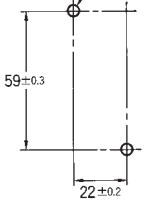
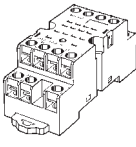
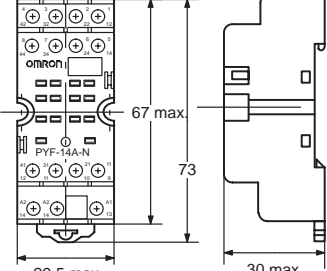
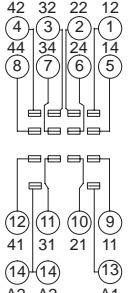
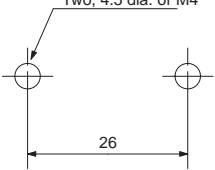
Item	Pole	Model	Carry current	Dielectric withstand voltage	Insulation resistance
Track-mounted socket	2	PYF08A-E	7 A	2,000 VAC, 1 min	Less than 1,000 MΩ
		PYF08A-N			
	4	PYF14A-E	5 A		
		PYF14A-N			
Back-connecting Socket	2	PY08(-Y1)	7 A	1,500 VAC, 1 min	Less than 100 MΩ
		PY08QN(-Y1)			
		PY08-02			
	4	PY14(-Y1)	3 A		
		PY14QN(-Y1)			
		PY14-02			

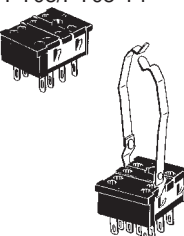
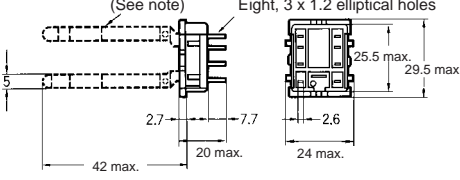
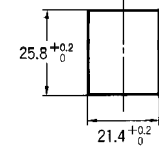
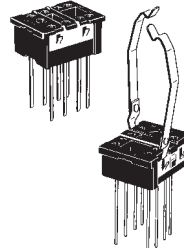
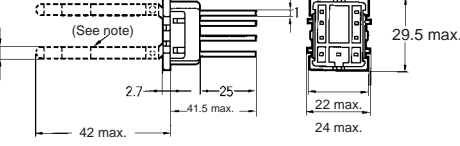
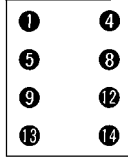

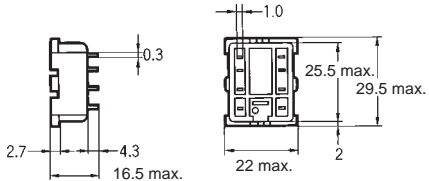
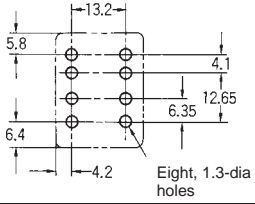
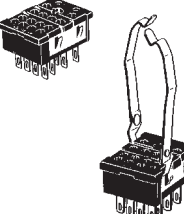
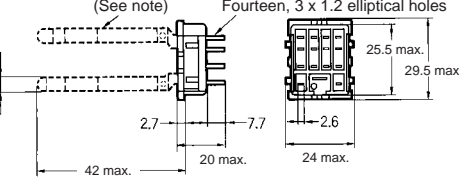
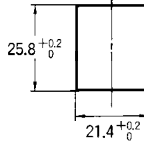
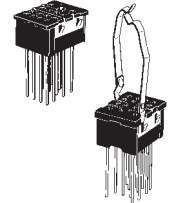
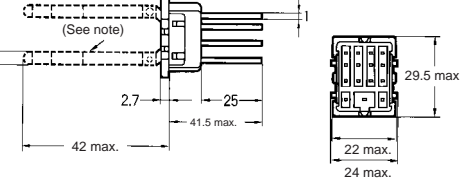
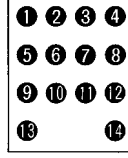
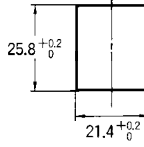

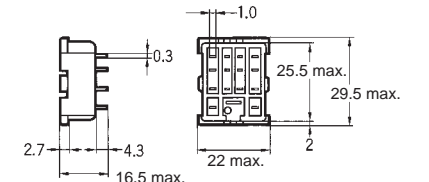
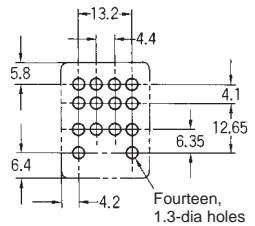
**Note:** The values given above are initial values.

- The maximum operating ambient temperature for the PYF08A-N and PYF14A-N is 55°C.
- When using the PYF08A-N or PYF14A-N at an operating ambient temperature exceeding 40°C, reduce the current to 60%.

# Dimensions

**Note:** All units are in millimeters unless otherwise indicated.

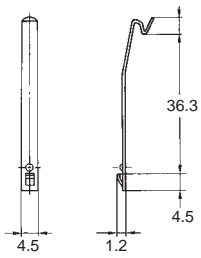
Socket	Dimensions	Terminal arrangement/Internal connections (top view)	Mounting holes
<p>PY08A-E</p> 	<p>Two, 4.2 x 5 mounting holes</p> <p>Eight, M3 x 8 sems screws</p> 		<p>Two, M3, M4, or 4.5-dia holes</p>  <p>(TOP VIEW)</p> <p><b>Note:</b> Track mounting is also possible. Refer to page 11 for supporting tracks.</p>
<p>PY08A-N</p> 			 <p><b>Note:</b> Track mounting is also possible. Refer to page 11 for supporting tracks.</p>
<p>PYF14A-E</p> 	<p>Two, 4.2 X 5 mounting holes</p> <p>Fourteen, M3 x 8 sems screws</p> 		<p>Two, M3, M4, or 4.5-dia holes</p>  <p>(TOP VIEW)</p> <p><b>Note:</b> Track mounting is also possible. Refer to page 11 for supporting tracks.</p>
<p>PYF14A-N</p> 			<p>Two, 4.5 dia. or M4</p>  <p><b>Note:</b> Track mounting is also possible. Refer to page 11 for supporting tracks.</p>

Socket	Dimensions	Terminal arrangement/Internal connections (top view)	Mounting holes
	<p>(See note) Eight, 3 x 1.2 elliptical holes</p>  <p><b>Note:</b> The PY08-Y1 includes the dotted sections.</p>		
	<p>(See note)</p>  <p><b>Note:</b> The PY08QN-Y1 includes sections indicated by dotted lines.</p>		
			 <p>Eight, 1.3-dia holes</p>
	<p>(See note) Fourteen, 3 x 1.2 elliptical holes</p>  <p><b>Note:</b> The PY14-Y1 includes the dotted sections.</p>		
	<p>(See note)</p>  <p><b>Note:</b> The PY14QN-Y1 includes sections indicated by dotted lines.</p>		
			 <p>Fourteen, 1.3-dia holes</p>

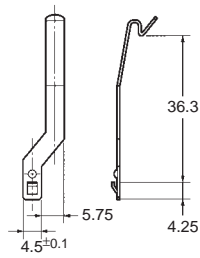
**Note:** Use a panel with plate thickness of 1 to 2 mm for mounting the Sockets.

■ Hold-down Clips

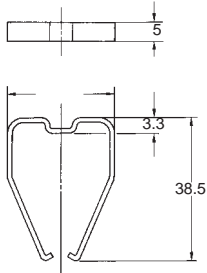
PYC-A1



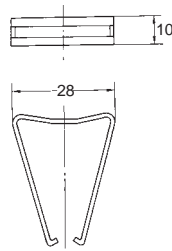
PYC-E1



PYC-P

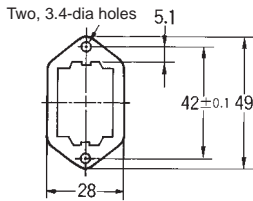


PYC-P2

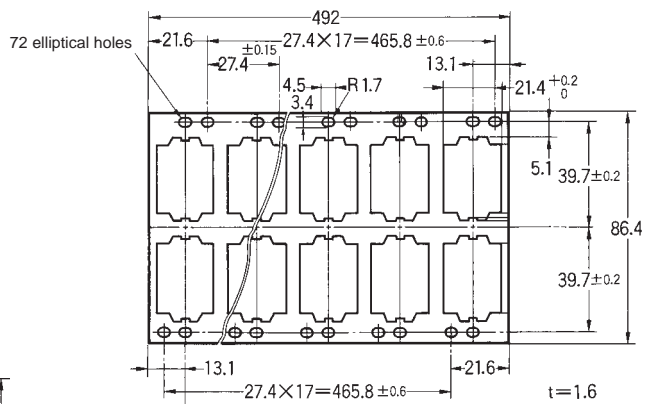


■ Mounting Plates for Back-connecting Sockets

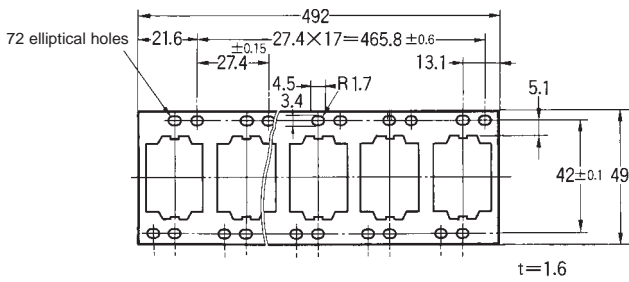
PYP-1



PYP-36



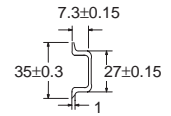
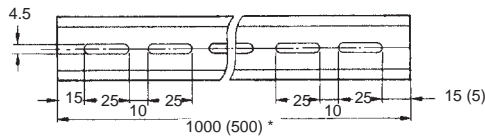
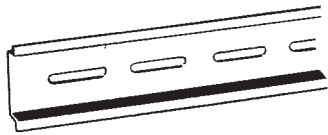
PYP-18



■ Tracks and Accessories

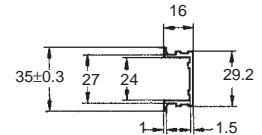
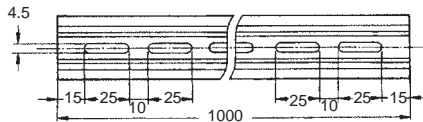
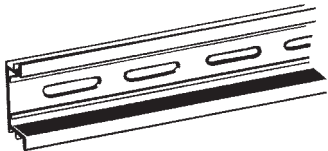
Supporting Tracks

PFP-50N/PFP-100N

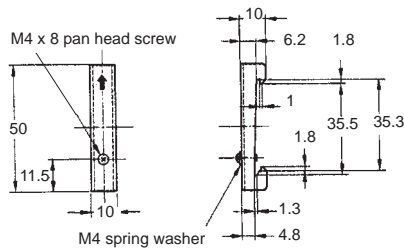
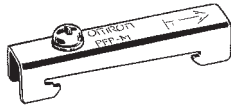


Note: The figure in the parentheses is for PFP-50N.

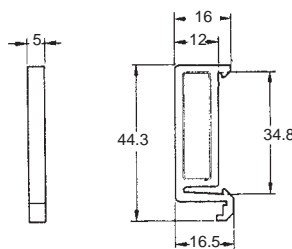
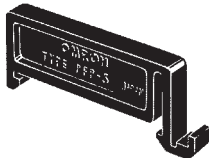
PFP-100N2



End Plate



Spacer



**ALL DIMENSIONS SHOWN ARE IN MILLIMETERS.**  
 To convert millimeters into inches, multiply by 0.03937. To convert grams into ounces, multiply by 0.03527.

Cat. No. J111-E1-1 In the interest of product improvement, specifications are subject to change without notice.

**OMRON Corporation**

C&C Components Division H.Q.  
 Relay Division  
 28th Fl., Crystal Tower Bldg.  
 1-2-27, Shiromi, Chuo-ku,  
 Osaka 540-6028 Japan  
 Phone: (81)6-949-6125 Fax: (81)6-949-6134

Printed in Japan  
 0398-2M (0398) a