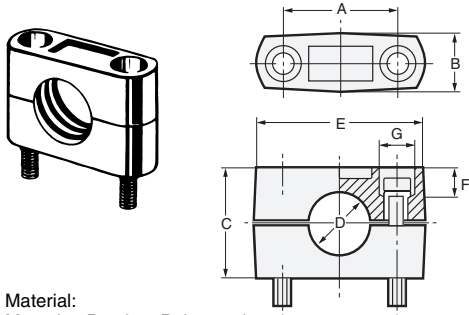


Mounting Brackets

Special resin mounting sleeves: Four different models available.
Simply select the size that fits the outside diameter of the Sensor.



Material:
Mounting Bracket: Polyacetal
Hexagonal bolt and spring washer: Nickel-plated iron

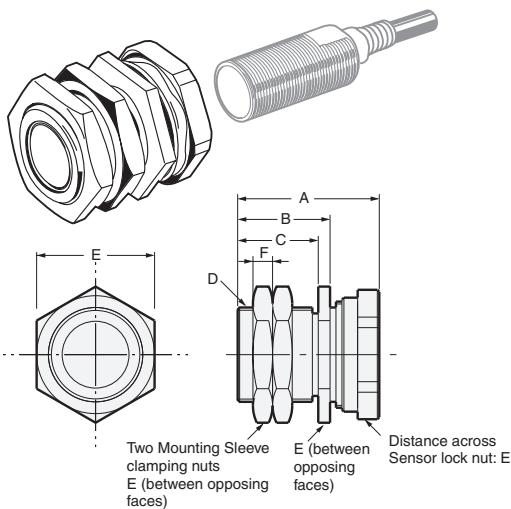
Mounting Bracket Dimensions

Item Model	Dimension (mm)							Applied hexagonal bolts	Applicable Sensor diameter
	A	B	C	D	E	F	G		
Y92E-B8	18±0.2	10 max.	18	8 dia.	28max.	6	7.4 dia.	M4 × 20	M8
Y92E-B12	24±0.2	12.5 max.	20	12 dia.	37max.	6	8 dia.	M4 × 25	M12
Y92E-B18	32±0.2	17 max.	30	18 dia.	47max.	7	9.8 dia.	M5 × 32	M18
Y92E-B30	45±0.2	17 max.	50	30 dia.	60max.	10	9.8 dia.	M5 × 50	M30

Note: Consider the influence of surrounding metal when mounting non-shielded Sensors. (Refer to information on individual Sensors for dimensions.)

Mounting Sleeves (Quick Mounting)

Once the Mounting Sleeve and Sensor have been set properly, readjustment is not required when replacing the Sensor.



Material:
Bracket: Nickel-plated iron
Nut: Nickel-plated brass
Mounting Sleeve: Polyacetal

Mounting Sleeve Dimensions

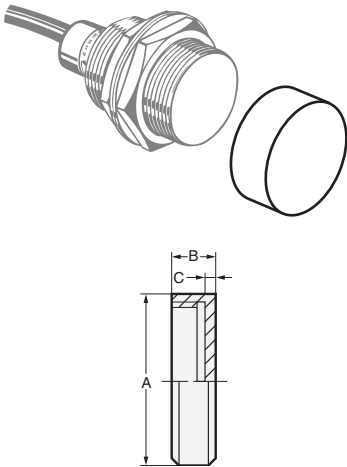
Item Model	Dimension (mm)						Applicable Sensors
	A	B	C	D	E (between opposing faces)	F	
Y92E-G8	Approx. 28	18.5	15.5	M12 × 1	17	4	E2E/E2E2 M8 Shielded Sensors
Y92E-G12	Approx. 29	20.5	17.5	M18 × 1	24	4	E2E/E2E2 M12 Shielded Sensors
Y92E-G18	Approx. 35	23.5	20.5	M24 × 1.5	30	5	E2E/E2E2 M18 Shielded Sensors
Y92E-G30	Approx. 39	27.5	24.5	M36 × 1.5	41	5	E2E/E2E2 M30 Shielded Sensors

Note: Do not tighten the nut with excessive force. Do not exceed the torque in the following table.

Item Model	Mounting Sleeve clamping nuts	Sensor lock nut
Y92E-G8	18 N·m	6 N·m
Y92E-G12	40 N·m	15 N·m
Y92E-G18	70 N·m	15 N·m
Y92E-G30	100 N·m	30 N·m

Protective Covers [A Protective Cover cannot be used with a Capacitive Proximity Sensor.]

Covers are available to protect the Sensing Head.
Simply select the size that fits the outside diameter of the Sensor.

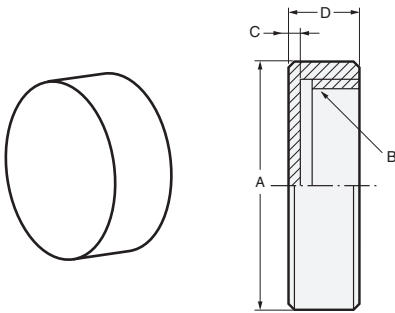


Protective Cover Dimensions

Model	Dimension (mm)			Cover inner diameter (threaded)	Material	Applicable Sensor diameter
	A	B	C			
Y92E-E12	14 dia.	5	0.5 ^{+0.2} _{-0.1}	M12 × 1	Polyacetal resin	M12 Shielded Models
Y92E-E18	21 dia.	6	1±0.2	M18 × 1		M18 Shielded Models
Y92E-E30	33 dia.	8	1.5±0.2	M30 × 1.5		M30 Shielded Models
Y92E-E12M	14 dia.	12	0.5 ^{+0.2} _{-0.1}	M12 × 1		M12 Unshielded Models
Y92E-E18M	21 dia.	16	1±0.2	M18 × 1		M18 Unshielded Models
Y92E-E30M	33 dia.	21	1.5±0.2	M30 × 1.5		M30 Unshielded Models

Sputter Protective Covers (Threaded on Inside of Cover) [A Sputter Protective Covers cannot be used with a Capacitive Proximity Sensor.]

The cover uses Fluororesin, so that chips that adhere due to sputtering can be easily removed.



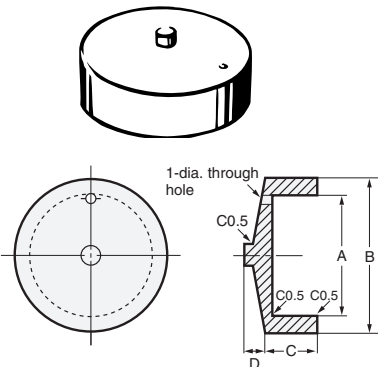
Sputter Protective Cover Dimensions

Model	Item	Dimension (mm)				Applicable Sensor diameter
		A	B	C	D	
Y92E-E8-7		10 dia.	M8 × 1	0.5 ^{+0.2} _{-0.1}	5	M8 Shielded Models
Y92E-E12-7		14 dia.	M12 × 1	0.5 ^{+0.2} _{-0.1}	5	M12 Shielded Models
Y92E-E18-7		21 dia.	M18 × 1	1±0.2	6	M18 Shielded Models
Y92E-E30-7		33 dia.	M30 × 1.5	1.5±0.2	8	M30 Shielded Models

Note: Do not screw on too tightly, or the cap may be damaged.

Sputter Protective Covers (Not Threaded on Inside of Cover) [A Sputter Protective Covers cannot be used with a Capacitive Proximity Sensor.]

Chips that adhere due to sputtering can be easily removed.



Sputter Protective Cover Dimensions

Model	Item	Dimension (mm)				Material	Applicable Sensor diameter
		A	B	C	D		
Y92E-E12-2		11.0 dia.	14.0 dia.	5.0	1.0	Silicon rubber	M12 Shielded Models
Y92E-E18-2		17.0 dia.	21 dia.	7.0	3.0		M18 Shielded Models
Y92E-E30-2		28.5 dia.	33.0 dia.	8.0	6.0		M30 Shielded Models

Protective Cover (Metal Cover for E2V and E2EZ Sensors)

Protect the Sensor from horizontal shocks and prevent the sensing surface from hitting workpieces.
The countermeasure for aluminum chips functions even with the Cover attached.



Protective Cover Dimensions

Model	Item	Dimension (mm)	Applicable Sensor	Material
Y92E-VM12		13 dia.	E2V, M12 with shield E2EZ-X2D□-N E2EZ-X2D1-M1(T)(G)J	SUS303
Y92E-VM18		19 dia.	E2V M18 with shield E2EZ-X4D□-N E2EZ-X4D1-M1(T)(G)J	
Y92E-VM30		31 dia.	E2V M30 with shield E2EZ-X8D□-N E2EZ-X8D1-M1(T)(G)J	

Nut Sets

These nut sets are for mounting the Sensors. Order them if you lose the mounting screws.
Order the correct set for the outer diameter of your Sensor.

Model	Item	Applicable Sensor	Applicable Sensor diameter	Set contents
Y92E-NWM08-E2E	E2E		M8	Clamping nuts (bronze with nickel plating): 2 Toothed washer (iron with zinc plating): 1
Y92E-NWM12-E2E			M12	
Y92E-NWM18-E2E			M18	
Y92E-NWM30-E2E			M30	
Y92E-NWM12-E2EQ	E2EQ		M12	
Y92E-NWM18-E2EQ			M18	
Y92E-NWM30-E2EQ			M30	
Y92E-NWM8	E2FM		M8	Clamping nuts (SUS303): 2 Toothed washer (iron with zinc plating): 1
Y92E-NWM12			M12	
Y92E-NWM18			M18	
Y92E-NWM30			M30	
Y92E-NWM12-E2EH	E2EH		M12	Clamping nuts (SUS316L): 2
Y92E-NWM18-E2EH			M18	
Y92E-NWM30-E2EH			M30	
Y92E-NWM12-E2EZ	E2EZ		M12	Clamping nuts (iron with zinc plating): 2 Toothed washer (iron with zinc plating): 1
Y92E-NWM18-E2EZ			M18	
Y92E-NWM30-E2EZ			M30	
Y92E-NWM08-E2F	E2F		M8	Clamping nuts (polyacetal): 2
Y92E-NWM12-E2F			M12	
Y92E-NWM18-E2F			M18	
Y92E-NWM30-E2F			M30	

Read and Understand This Catalog

Please read and understand this catalog before purchasing the products. Please consult your OMRON representative if you have any questions or comments.

Warranty and Limitations of Liability

WARRANTY

OMRON's exclusive warranty is that the products are free from defects in materials and workmanship for a period of one year (or other period if specified) from date of sale by OMRON.

OMRON MAKES NO WARRANTY OR REPRESENTATION, EXPRESS OR IMPLIED, REGARDING NON-INFRINGEMENT, MERCHANTABILITY, OR FITNESS FOR PARTICULAR PURPOSE OF THE PRODUCTS. ANY BUYER OR USER ACKNOWLEDGES THAT THE BUYER OR USER ALONE HAS DETERMINED THAT THE PRODUCTS WILL SUITABLY MEET THE REQUIREMENTS OF THEIR INTENDED USE. OMRON DISCLAIMS ALL OTHER WARRANTIES, EXPRESS OR IMPLIED.

LIMITATIONS OF LIABILITY

OMRON SHALL NOT BE RESPONSIBLE FOR SPECIAL, INDIRECT, OR CONSEQUENTIAL DAMAGES, LOSS OF PROFITS OR COMMERCIAL LOSS IN ANY WAY CONNECTED WITH THE PRODUCTS, WHETHER SUCH CLAIM IS BASED ON CONTRACT, WARRANTY, NEGLIGENCE, OR STRICT LIABILITY.

In no event shall the responsibility of OMRON for any act exceed the individual price of the product on which liability is asserted.

IN NO EVENT SHALL OMRON BE RESPONSIBLE FOR WARRANTY, REPAIR, OR OTHER CLAIMS REGARDING THE PRODUCTS UNLESS OMRON'S ANALYSIS CONFIRMS THAT THE PRODUCTS WERE PROPERLY HANDLED, STORED, INSTALLED, AND MAINTAINED AND NOT SUBJECT TO CONTAMINATION, ABUSE, MISUSE, OR INAPPROPRIATE MODIFICATION OR REPAIR.

Application Considerations

SUITABILITY FOR USE

OMRON shall not be responsible for conformity with any standards, codes, or regulations that apply to the combination of products in the customer's application or use of the products.

At the customer's request, OMRON will provide applicable third party certification documents identifying ratings and limitations of use that apply to the products. This information by itself is not sufficient for a complete determination of the suitability of the products in combination with the end product, machine, system, or other application or use.

The following are some examples of applications for which particular attention must be given. This is not intended to be an exhaustive list of all possible uses of the products, nor is it intended to imply that the uses listed may be suitable for the products:

- Outdoor use, uses involving potential chemical contamination or electrical interference, or conditions or uses not described in this catalog.
- Nuclear energy control systems, combustion systems, railroad systems, aviation systems, medical equipment, amusement machines, vehicles, safety equipment, and installations subject to separate industry or government regulations.
- Systems, machines, and equipment that could present a risk to life or property.

Please know and observe all prohibitions of use applicable to the products.

NEVER USE THE PRODUCTS FOR AN APPLICATION INVOLVING SERIOUS RISK TO LIFE OR PROPERTY WITHOUT ENSURING THAT THE SYSTEM AS A WHOLE HAS BEEN DESIGNED TO ADDRESS THE RISKS, AND THAT THE OMRON PRODUCTS ARE PROPERLY RATED AND INSTALLED FOR THE INTENDED USE WITHIN THE OVERALL EQUIPMENT OR SYSTEM.

PROGRAMMABLE PRODUCTS

OMRON shall not be responsible for the user's programming of a programmable product, or any consequence thereof.

Disclaimers

CHANGE IN SPECIFICATIONS

Product specifications and accessories may be changed at any time based on improvements and other reasons.

It is our practice to change model numbers when published ratings or features are changed, or when significant construction changes are made. However, some specifications of the products may be changed without any notice. When in doubt, special model numbers may be assigned to fix or establish key specifications for your application on your request. Please consult with your OMRON representative at any time to confirm actual specifications of purchased products.

DIMENSIONS AND WEIGHTS

Dimensions and weights are nominal and are not to be used for manufacturing purposes, even when tolerances are shown.

PERFORMANCE DATA

Performance data given in this catalog is provided as a guide for the user in determining suitability and does not constitute a warranty. It may represent the result of OMRON's test conditions, and the users must correlate it to actual application requirements. Actual performance is subject to the OMRON Warranty and Limitations of Liability.

ERRORS AND OMISSIONS

The information in this document has been carefully checked and is believed to be accurate; however, no responsibility is assumed for clerical, typographical, or proofreading errors, or omissions.

2012.8

In the interest of product improvement, specifications are subject to change without notice.

OMRON Corporation
Industrial Automation Company

<http://www.ia.omron.com/>

(c)Copyright OMRON Corporation 2012 All Right Reserved.