
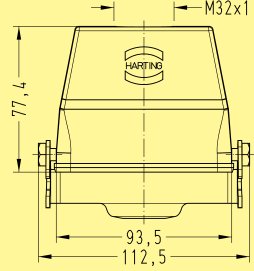
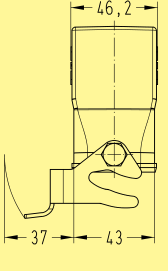

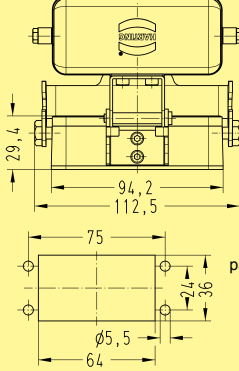
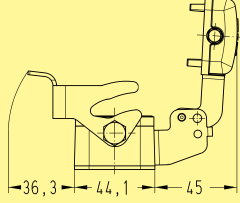

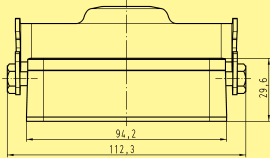
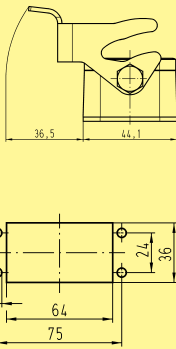




Identification	Part-Number	M	Drawing	Dimensions in mm
<p>Cable to cable housing M 32</p> 	<p>19 44 310 0757</p>	<p>32</p>		
<p>Bulkhead mounted housing with integrated cover</p> 	<p>19 44 310 0303</p>	<p>—</p>		
<p>Bulkhead mounted housing</p> 	<p>19 44 310 0305</p>	<p>—</p>		
<p>Cable gland stainless steel</p> 	<p>19 44 000 5084</p>	<p>32</p>		
<p>Cover for bulkhead mounted housing</p> 	<p>19 44 310 5421</p>	<p>—</p>	