
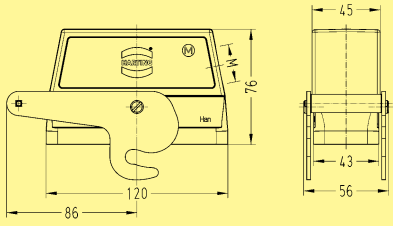

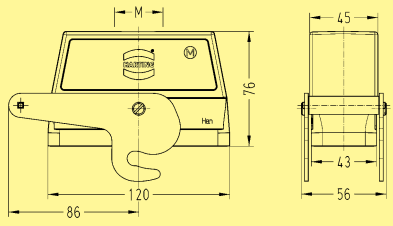
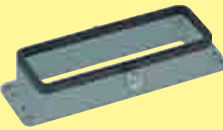
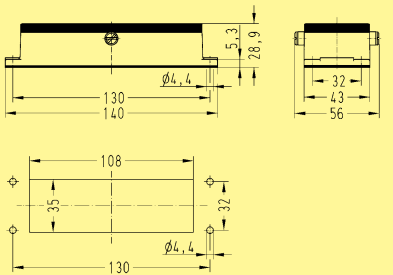

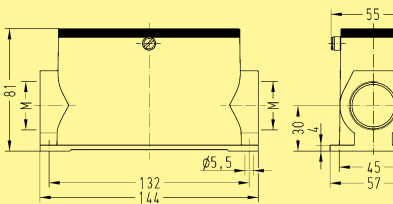




Metal hoods/housings for industrial applications / 1 central locking lever locking system

Identification	Part number	Cable entry metric	Drawing	Dimensions in mm
Hoods side entry 	19 30 024 0586 19 30 024 0587 19 30 024 0588	1 x 25 1 x 32 1 x 40		
Hoods top entry 	19 30 024 0487	1 x 32		

Metal hoods/housings for industrial applications / 1 central locking lever locking system

Identification	Part number	Cable entry metric	Drawing	Dimensions in mm
Housings, bulkhead mounting 	09 30 024 0381		 <p>Panel cut out</p>	
Housings, surface mounting side entry 	19 30 024 0282	2 x 32		
Han Hoods Housings				