



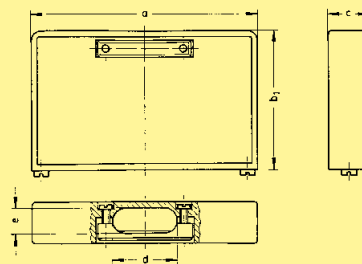
Thermoplastic top and side entry hoods for spring or slide locking

Identification No. of contacts Part No. Drawing Dimensions in mm

Top entry hood

| No. of contacts | Thermoplastic grey ²⁾ | Thermoplastic metallized ³⁾ |
|-----------------|----------------------------------|--|
| 9 | 09 67 009 0411 | 09 67 009 0413 |
| 15 | 09 67 015 0411 | 09 67 015 0413 |
| 25 | 09 67 025 0411 | 09 67 025 0413 |
| 37 | 09 67 037 0411 | 09 67 037 0413 |
| 50 | 09 67 050 0411 | 09 67 050 0413 |

9-37 way for packaging density of 3 TE (15.24 mm)

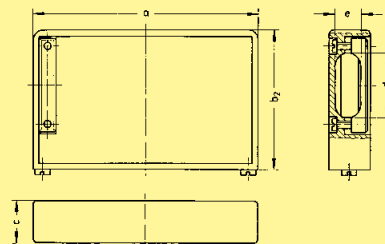


| | a | b ₁ | b ₂ | c | d | e | |
|----|------|----------------|----------------|------|----|------|------|
| | | | | | | min. | max. |
| 9 | 31.0 | 23 | 28 | 12.8 | 10 | 5.75 | 9.0 |
| 15 | 39.4 | 28 | 28 | 12.8 | 10 | 5.75 | 9.0 |
| 25 | 53.3 | 34 | 34 | 12.8 | 14 | 5.75 | 9.0 |
| 37 | 69.7 | 43 | 43 | 12.8 | 20 | 5.75 | 9.0 |
| 50 | 67.1 | 41 | 41 | 15.8 | 20 | 5.75 | 11.6 |

Side entry hood

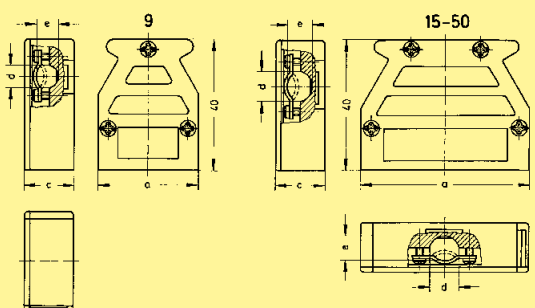
| No. of contacts | Thermoplastic grey ²⁾ | Thermoplastic metallized ³⁾ |
|-----------------|----------------------------------|--|
| 9 | 09 67 009 0511 | 09 67 009 0513 |
| 15 | 09 67 015 0511 | 09 67 015 0513 |
| 25 | 09 67 025 0511 | 09 67 025 0513 |
| 37 | 09 67 037 0511 | 09 67 037 0513 |
| 50 | 09 67 050 0511 | 09 67 050 0513 |

9-37 way for packaging density of 3 TE (15.24 mm)



Top and side entry hood¹⁾

| No. of contacts | Thermoplastic black ⁴⁾ | Thermoplastic metallized ⁴⁾ |
|-----------------|-----------------------------------|--|
| 9 | 09 67 009 0452 | 09 67 009 0453 |
| 15 | 09 67 015 0452 | 09 67 015 0453 |
| 25 | 09 67 025 0452 | 09 67 025 0453 |
| 37 | 09 67 037 0452 | 09 67 037 0453 |
| 50 | 09 67 050 0452 | 09 67 050 0453 |



| | a | c | d | e | |
|----|------|------|---|------|------|
| | | | | min. | max. |
| 9 | 31.0 | 15.4 | 7 | 1.7 | 7.5 |
| 15 | 39.4 | 15.4 | 7 | 1.7 | 8.0 |
| 25 | 53.2 | 15.4 | 9 | 1.5 | 8.0 |
| 37 | 69.5 | 15.4 | 9 | 1.5 | 8.0 |
| 50 | 67.0 | 17.9 | 9 | 1.5 | 8.0 |

¹⁾ 9-poles is only side entry

²⁾ Operating temperature: -55 °C ... +120 °C

³⁾ Operating temperature: -35 °C ... +60 °C

⁴⁾ Operating temperature: -20 °C ... +90 °C