



Han® PushPull, type acc. to IEC 61 076-3-117 variant 14  
10-poles 50 V / 5 A

## Features

- HARTING PushPull technology
- For the transmission of analog, low voltage and bus signals
- Fully shielded
- 10 contacts
- Touch-proof
- Easy and fast cable installation

## Technical characteristics

|                                      |   |
|--------------------------------------|---|
| Locking                              | PushPull technology acc. to IEC 61 076-3-117 variant 14 |
| Degree of protection                 | IP 65 / IP 67   |
| Mating face                          | acc. to IEC/PAS 61076-3-11x                             |
| Number of contacts                   | 10  |
| Electrical data acc. to DIN EN 61984 | 5 A 50 V 1.5 kV 3                                       |
| Contact resistance                   | 10 mΩ   |
| Termination                          | Crimp   |
| Conductor cross section              | AWG 24 ... 18; 0.25 ... 0.82 mm <sup>2</sup>            |
| Conductor diameter                   | max. 2.1 mm   |
| Outer cable diameter                 | 6.5 ... 9.5 mm / 4 ... 11 mm                            |
| Shielding                            | Fully shielded, 360° shielding contact                  |
| Mating cycles                        | min. 500  |
| Temperature range                    | -40 °C ... +70 °C                                       |
| Housing material                     | Plastic, black<br>Zinc die-cast, nickel-plated          |
| Flammability acc. to UL 94           | V0  |

| Identification | Part No. | Drawing | Dimensions in mm |
|----------------|----------|---------|------------------|
|----------------|----------|---------|------------------|

### Han® PushPull Signal

Connector set 10-poles  
incl. metal housing  
and female insert  
4 ... 11 mm

09 35 261 0401

Connector set 10-poles  
incl. plastic housing  
and female insert  
6.5 ... 9.5 mm

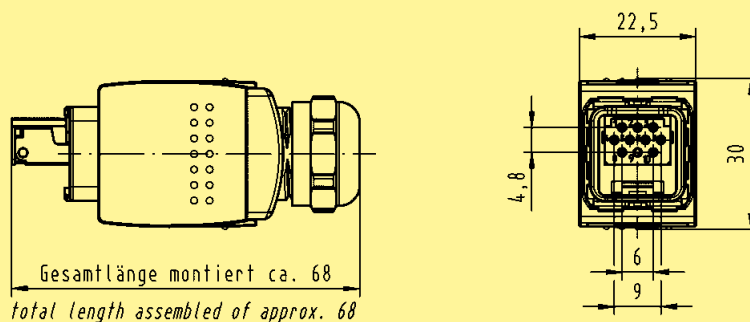
09 35 261 0421

Order D-Sub crimp female  
contacts separately

### D-Sub crimp contacts

(Connector side)  
for AWG 24-20; 0.25-0.56 mm<sup>2</sup>  
for AWG 22-18; 0.33-0.82 mm<sup>2</sup>

09 67 000 8278<sup>1)</sup>  
09 67 000 3476<sup>2)</sup>



<sup>1)</sup> To be used with crimp tool 09 99 000 0175  
<sup>2)</sup> To be used with crimp tool 09 99 000 0501. Suitable locator: 61 03 600 0531