

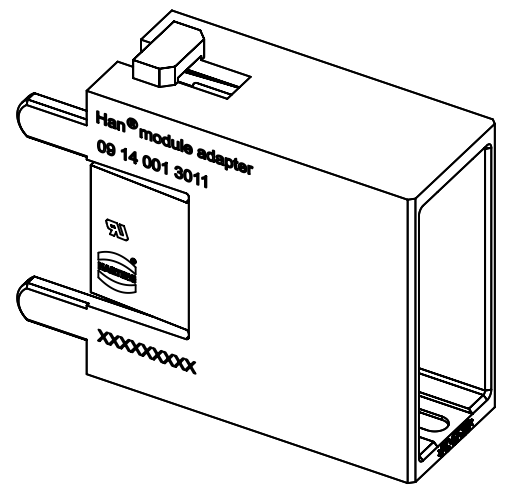
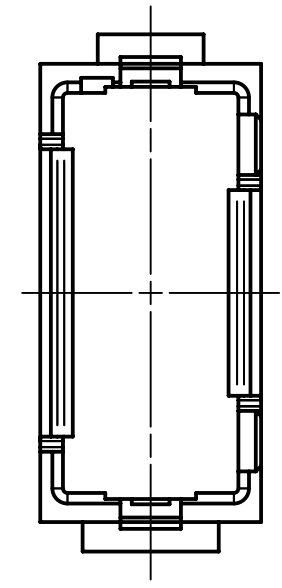
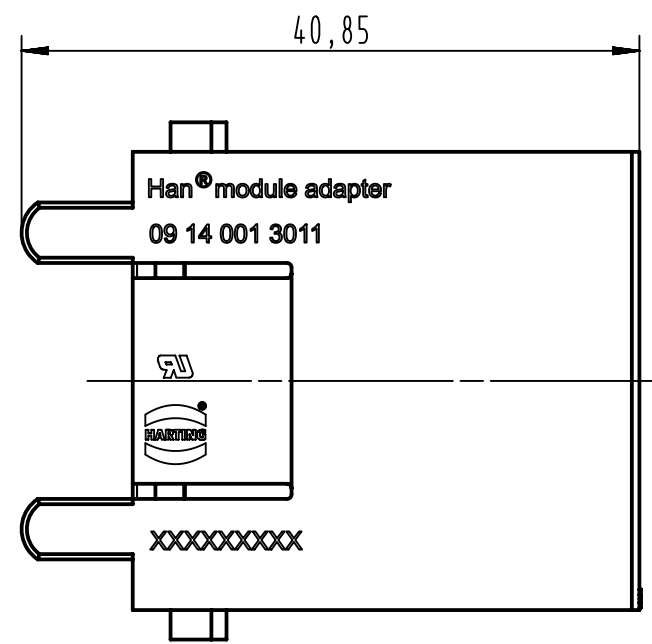
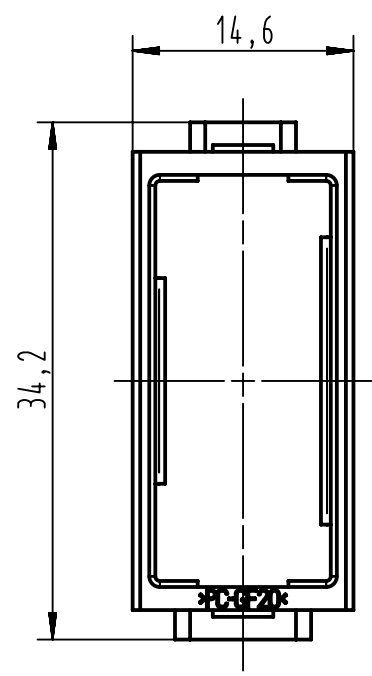
1 2 3 4 5 6

A

B

C

D



	All Dimensions in mm Original Size DIN A4	Scale	Free size tol.			Ref.
		2:1				Sub.
	All rights reserved Department EL PD - DE	Created by	Inspected by	Standardisation	Date	State
		HOLLERT	BERGHORN	SCHMIDTM	2013-03-19	Final Release
Title Han module adapter, male					Doc-Key / ECM-Nr. 100512327/UGD/001/B 500000060095	
HARTING Electric GmbH & Co. KG D-32339 Espelkamp		Type	Number		Rev.	Page
		TB	09 14 001 3011		B	1/1