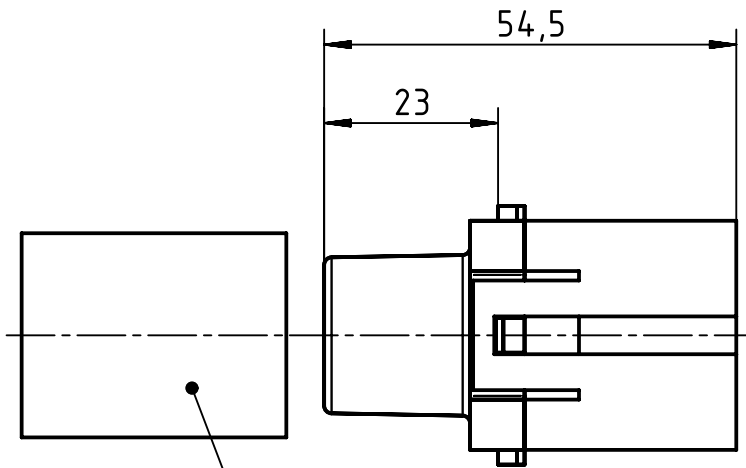
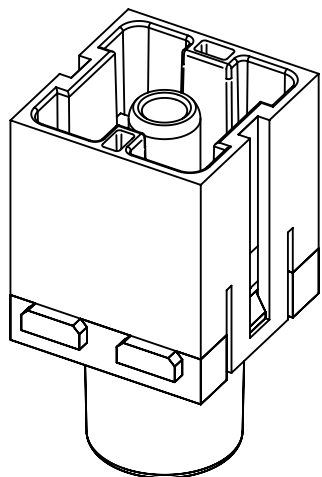
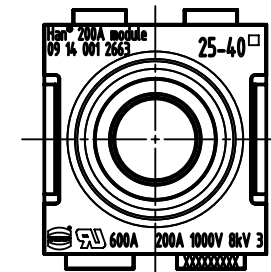



SW5



heat shrink tube



	All rights reserved Department EL PD - DE	All Dimensions in mm Original Size DIN A4		Scale 1:1	Free size tol.	Ref. Sub.	
		Created by RULLKOETTER	Inspected by SCHNIEDER	Standardisation TIEMANNA	Date 2014-06-11	State Final Release	
HARTING Electric GmbH & Co. KG D-32339 Espelkamp		Title Han 200A axial module, male 25-40 mm ²				Doc-Key / ECM-Nr. 100132868/UGD/007/A 500000074632	
		Type TB	Number 09 14 001 2663			Rev. A	Page 1/1