

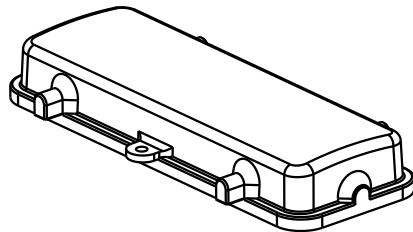
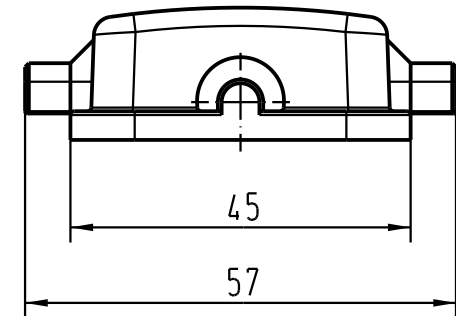
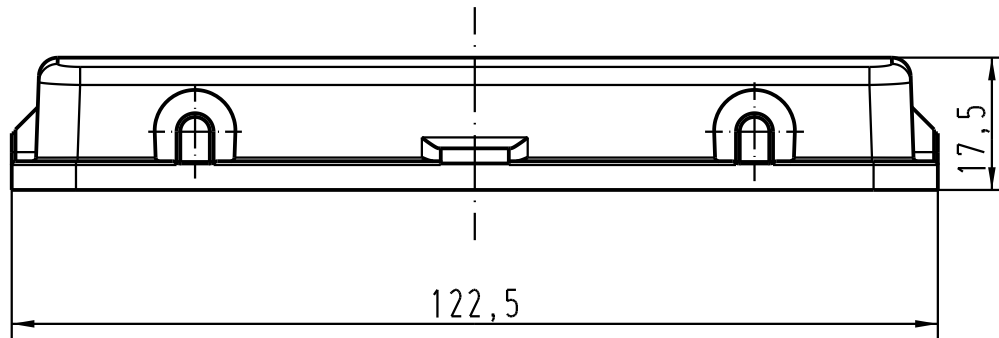
5



4

3

2

1



| | | | | | | | | |
|---|----------|------|---|----------|------|---|--|--|
|  All Dimensions in mm Original Size DIN A 4 | | | Techn. Character. | | | Nicht tolerierte Masse/ Free size tolerances | | |
| | | | | Dat. | Name | Massstab/ Scale | | |
| | | | Detail. | 20.09.99 | Gö | 1:1 | | |
| | | | Insp. | | Sdt | | | |
| | | | Stand. | | | | | |
| 411747 | 12.08.05 | ML | HARTING Electric GmbH & Co. KG | | | Han 24B-AK Kunststoffkappe mit Zapfen/ thermoplastic cover with pin | | |
| 26788 | | | D-32339 ESPELKAMP | | | | | |
| Mod. | Dat. | Name |  | | | TB 09 30 024 5405 Blatt/ page | | |
| | | | | | | Sub. TB 09 30 0.. 540. v. 02.02.93 | | |