

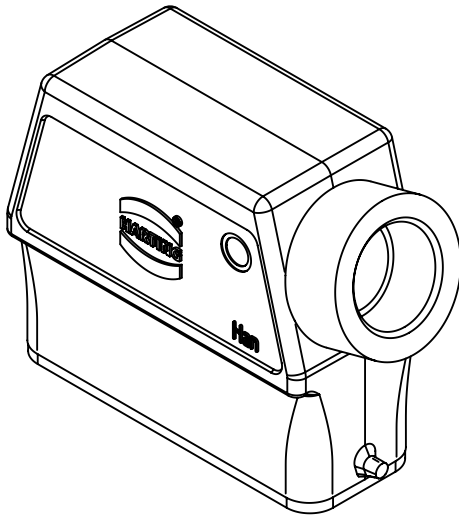
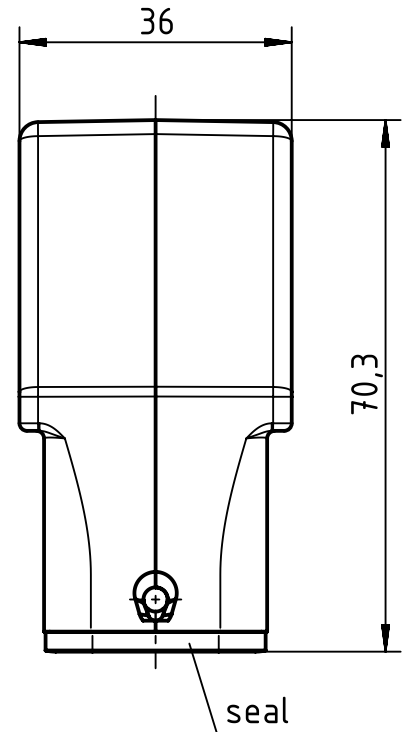
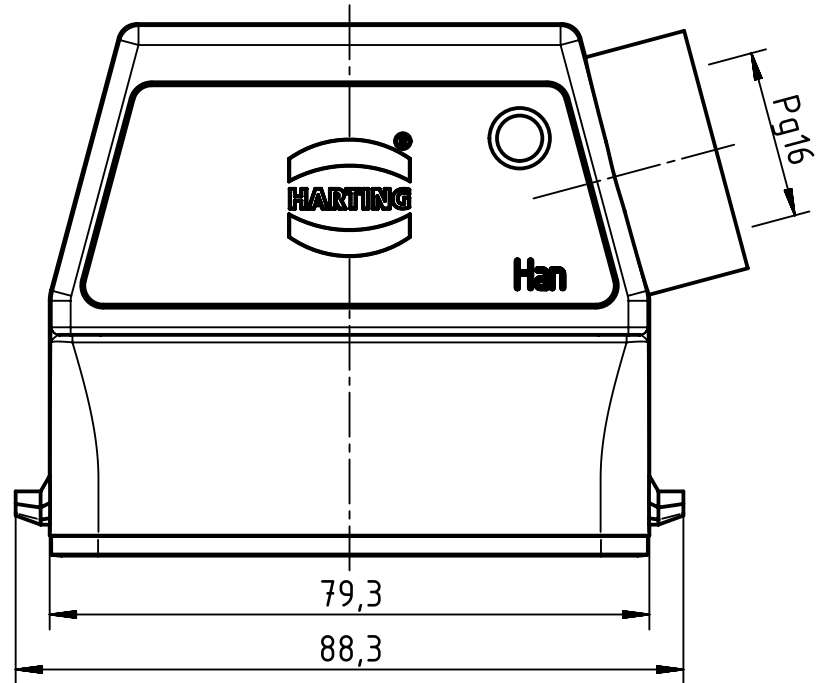
1 2 3 4 5 6

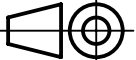

A

B

C

D



| | | | | | | | |
|----------------------------------------------------------------------------------------------------------------------------------|---------------------------------------------|---------|-----------------------|--------------------------|------------------------------------|----------------------------------------------------------|----------|
|  All Dimensions in mm Original Size DIN A4 | Scale 1:1 | | Free size tol. | | Ref. | | |
| | | | | | Sub. TB 09 20 016 0540 v. 09.04.10 | | |
|  All rights reserved Department EL PD - DE | Created by HOLLERT | | Inspected by SCHLEPP | Standardisation TIEMANNA | Date 2014-06-03 | State Final Release | |
| | Title Han A Hood Side Entry HC 2 Pegs PG 16 | | | | | Doc-Key / ECM-Nr. 100189910/UGD/004/A 500000065280 | |
| HARTING Electric GmbH & Co. KG D-32339 Espelkamp | | Type TB | Number 09 20 016 0540 | | | Rev. A | Page 1/1 |