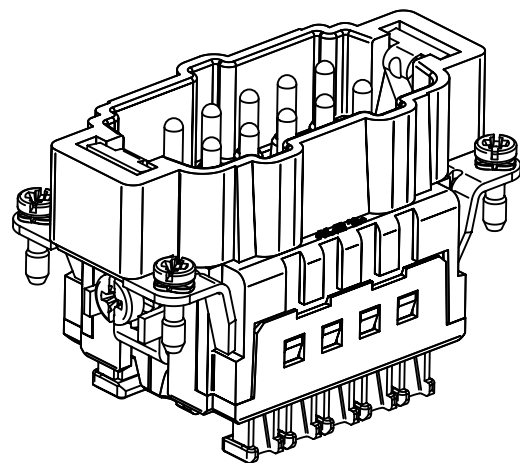
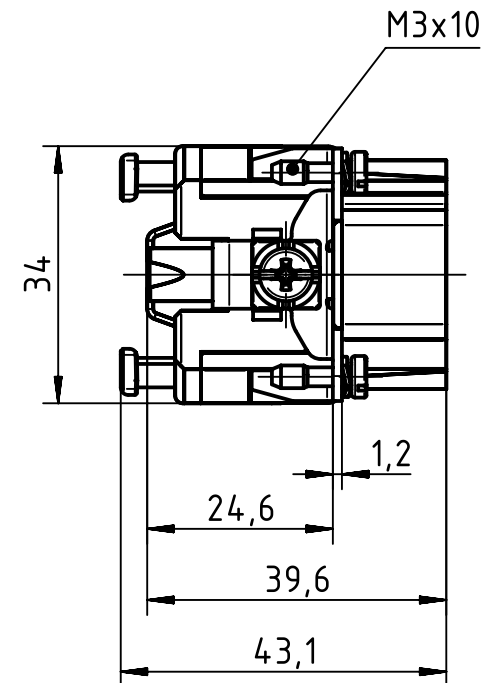
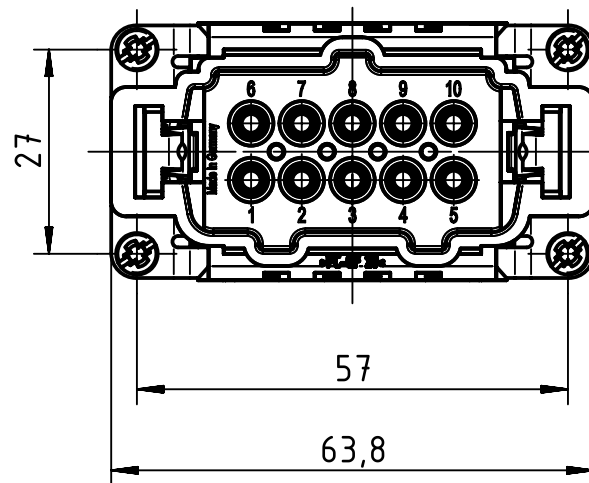
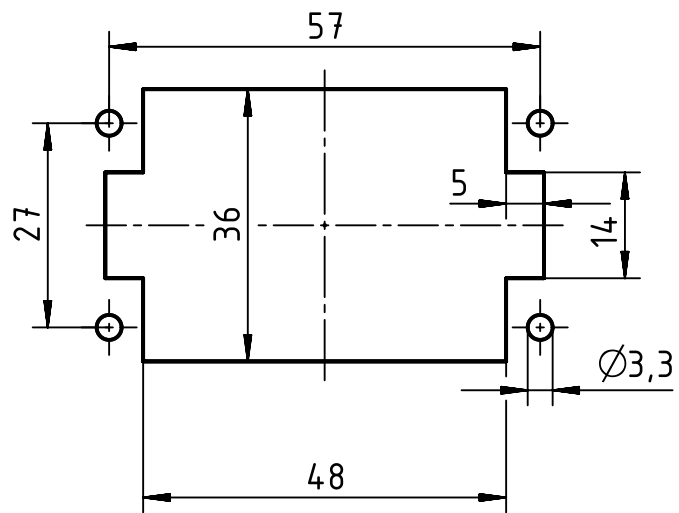


panel cut out



	All Dimensions in mm Original Size DIN A4		Scale 1:1	Free size tol.		Ref.
			Created by MOELLERLI	Inspected by RUETERA	Standardisation TIEMANNA	Sub.
All rights reserved Department EL PD - DE		Title <b>Han 10ES Press - M</b>		Date 2016-04-11	State Final Release	
HARTING Electric GmbH & Co. KG D-32339 Espelkamp		Type <b>TB</b>		Number <b>09 33 010 2648</b>		Doc-Key / ECM-Nr. 100622481/UGD/001/B 500000103088
					Rev. <b>B</b>	Page 1/1