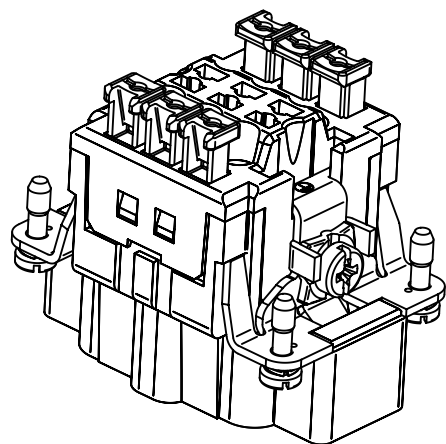
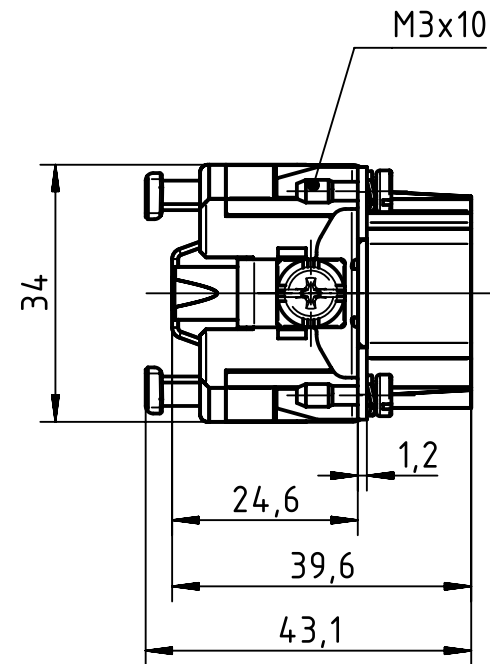
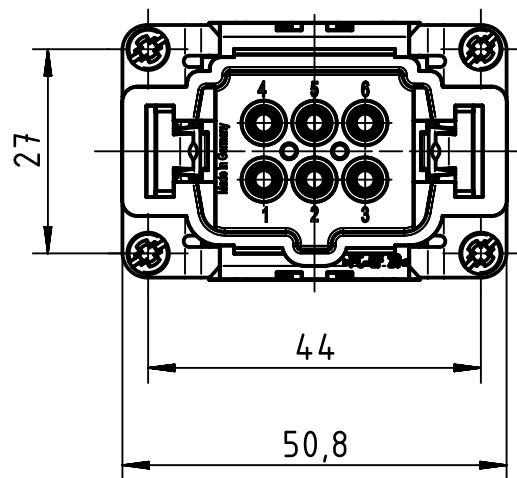
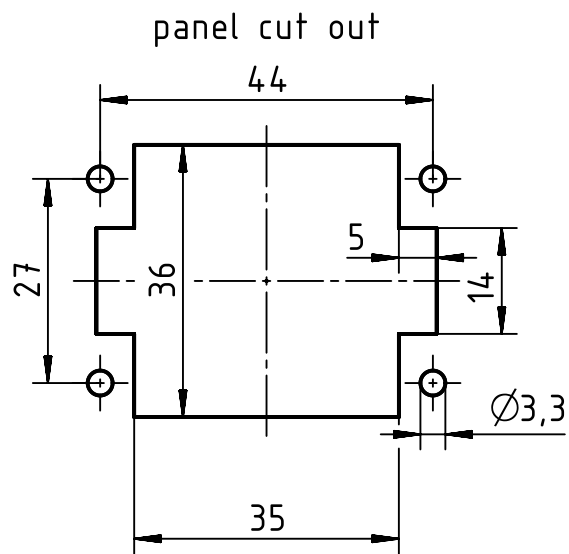


1 2 3 4 5 6

A
B
C
D



	All rights reserved Department EL PD - DE	All Dimensions in mm Original Size DIN A4			Scale 1:1	Free size tol.	Ref.
		HARTING Electric GmbH & Co. KG D-32339 Espelkamp	Created by MOELLERLI	Inspected by RUETERA	Standardisation TIEMANNA	Date 2016-04-11	State Final Release
Title Han 6ES Press - M							Doc-Key / ECM-Nr. 100616097/UGD/001/B 500000103088
Type TB					Number 09 33 006 2648		Rev. B
							Page 1/1