

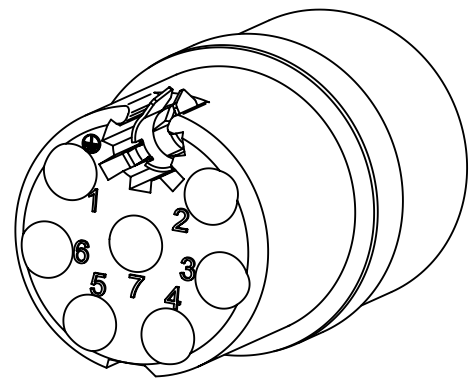
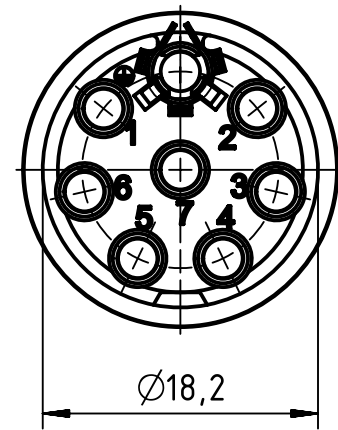
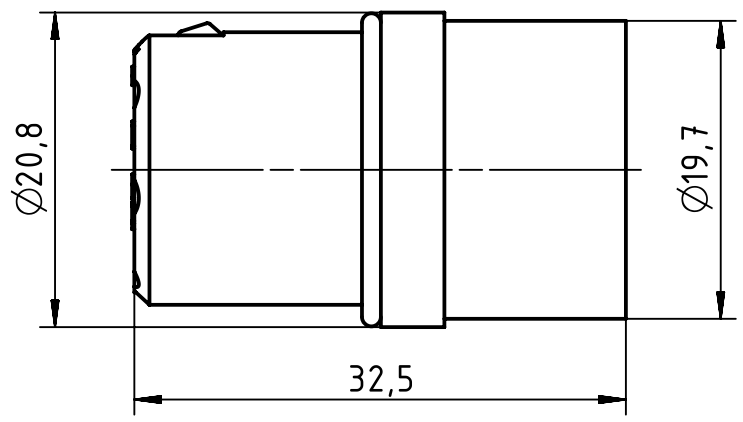
1 2 3 4 5 6


A

B

C

D



	All rights reserved Department EL PD - DE	All Dimensions in mm Original Size DIN A4		Scale 2:1	Free size tol.		Ref.	
		Created by DICK	Inspected by MOOR	Standardisation TIEMANNA	Date 2014-02-13	State Final Release		Sub.
HARTING Electric GmbH & Co. KG D-32339 Espelkamp		Title R15-7-M-c			Doc-Key / ECM-Nr. 100562889/UGD/002/A 500000071066		Rev. A	Page 1/1
		Type TB	Number 09 15 007 3021					