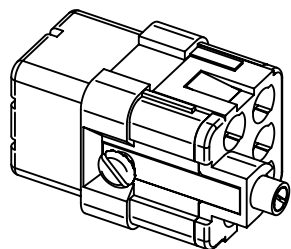
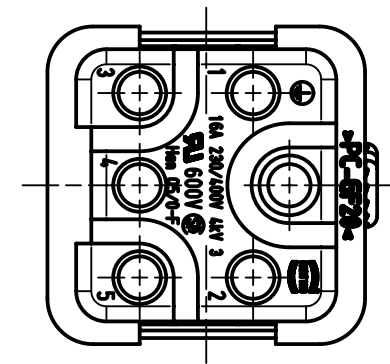
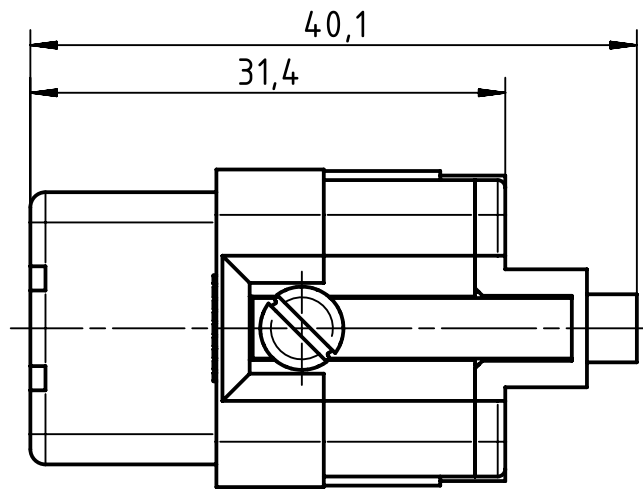


countersunk-head screw
M3x6-4.8, enclosed separately



	All Dimensions in mm Original Size DIN A4	Scale 2:1		Free size tol.		Ref.	
						Sub.	
	All rights reserved Department EL PD - DE	Created by	Inspected by	Standardisation	Date	State	
		PRIESTER	RIEPE	TIEMANNA	2014-07-01	Final Release	
HARTING Electric GmbH & Co. KG D-32339 Espelkamp		Title Han Q 5/0 Female Insert Crimp				Doc-Key / ECM-Nr. 100125020/UGD/005/A 500000075881	
		Type TB	Number 09 12 005 3101			Rev. A	Page 1/1