

Accessories

Strain Relief Housings

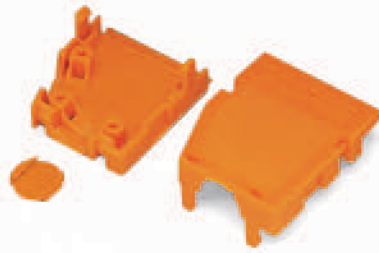
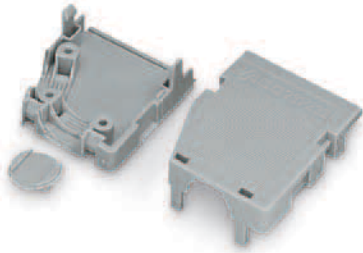
MCS-MIDI

Snap-on type strain relief housing
Pin spacing 5 mm

for straight and angled
male and female connectors
with CAGE CLAMP® connection

Snap-on type strain relief housing
Pin spacing 5.08 mm

for straight and angled
male and female connectors
with CAGE CLAMP® connection



Pole No.	Item No.	Pack. Unit	Pole No.	Item No.	Pack. Unit
Snap-on type strain relief housing, suitable for 5 mm pin spacing, gray consists of strain relief support and housing			Snap-on type strain relief housing, suitable for 5.08 mm pin spacing, orange consists of strain relief support and housing		
2	232-602	25	2	232-632	25
3	232-603	25	3	232-633	25
4	232-604	25	4	232-634	25
5	232-605	25	5	232-635	25
6	232-606	25	6	232-636	25
7	232-607	25	7	232-637	25
8	232-608	25	8	232-638	25
9	232-609	25	9	232-639	25
10	232-610	25	10	232-640	25
12	232-612	25	12	232-642	25
			16	232-646	25



Snapping the cover into the unused cable outlet.

2- to 3-pole, only suitable for cable ties, 1 cable outlet (rear side), max. cable tie width 3.6 mm
4- to 6-pole, suitable for cable clamp, 1 cable outlet (rear side)
7- to 8-pole, suitable for cable clamp, 1 cable outlets (rear side) and 1 cable outlets (side), 1 cover (included)
9- to 16-pole, suitable for cable clamp, 1 cable outlets (rear side) and 2 cable outlets (side), 2 covers (included)

Product Accessories	Pole No.	Item No.	Pack. Unit
---------------------	----------	----------	------------

Cable clamp, for strain relief

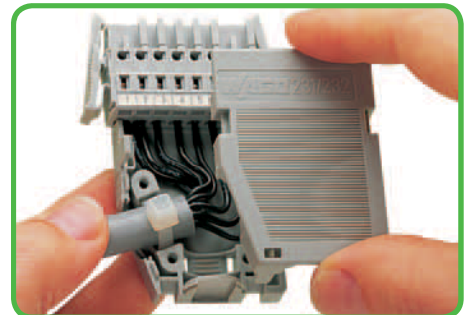


4 to 6 poles	209-177	25
7 poles and more	209-174	25

Fixing screws, for cable clamp

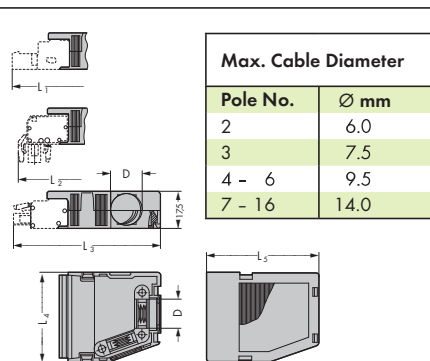


4 to 6 poles	209-176	50
7 poles and more	209-173	50

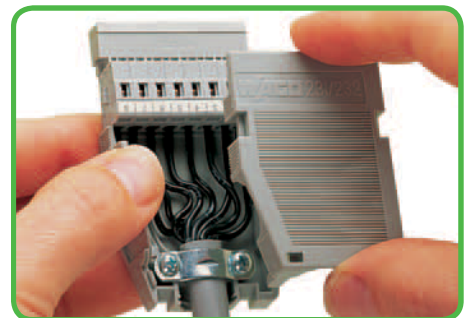


Snapping on the strain relief housing, demonstrated with a female connector with locking levers. Cable exits laterally. Strain relief by cable tie (up to a width of 4 mm).

Strain Relief Housing Dimensions



Pole No.	Pin Spacing		L ₁	L ₂	L ₃	L ₅
	5	5.08				
2	13	13	59.0	55.5	58.0	41.5
3	18	18	59.0	55.5	58.0	41.5
4	23	23	59.0	55.5	58.0	41.5
5	28	28	59.0	55.5	58.0	41.5
6	33	33	59.0	55.5	58.0	41.5
7	38	38	71.5	68.0	70.5	54.0
8	43	43	71.5	68.0	70.5	54.0
9	48	48.7	71.5	68.0	70.5	54.0
10	53	53.8	71.5	68.0	70.5	54.0
12	63	64	71.5	68.0	70.5	54.0
16	85	85	71.5	68.0	70.5	54.0



Snapping on a strain relief housing, demonstrated with a male connector. Cable exits lengthwise. Strain relief by cable clamp.

WAGO does not offer the recommended cable ties and cable binding tools; those are available from suppliers such as Hellermann.
Gray strain relief plates are used for light gray 721, 722 and 723 Series CAGE CLAMP®-equipped male and female connectors.