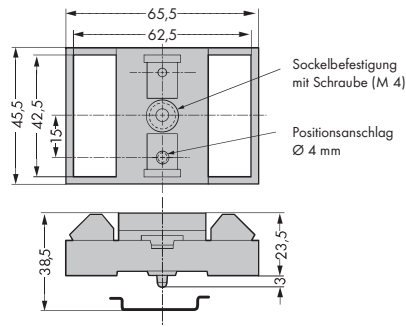
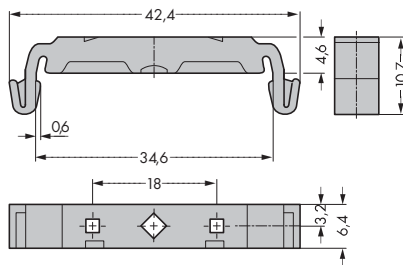


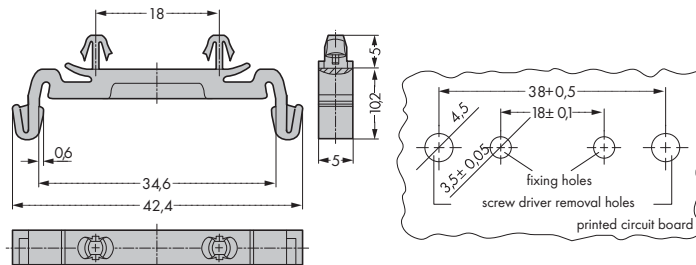
# Mounting Carrier and Feet for DIN-Rail Mounting PCBs



Description		Item No.	Pack. Unit
<b>Mounting carrier</b>	For screw-fixing or DIN-rail mounting with snap-fit type universal mounting feet (then needs 2 x mounting feet)	<b>288-001</b>	1
<b>Universal mounting foot</b>	Snap-fit type, suitable for DIN 15, 32 and 35 rails	<b>288-002</b>	10
<b>Universal mounting foot</b>	Suitable for Europa card (100 x 160) mm	<b>288-003</b>	1



Description		Item No.	Pack. Unit
<b>Mounting foot</b>	For screw-fixing to relay modules, holes for fixing screws 2 mm/0.079 in, PCB hole Ø 3.2 mm/0.126 in, distance 18 mm/0.709 in,	<b>209-120</b>	25
<b>Fixing screw</b>	For mounting foot 209-120	<b>209-119</b>	50



Description		Item No.	Pack. Unit
<b>Mounting foot</b>	For snap-fit mounting to relay modules, for fixing hole Ø 3.5 mm/0.138 in, distance 18 mm/0.709 in, for mounting on DIN 35 rail	<b>209-188</b>	25