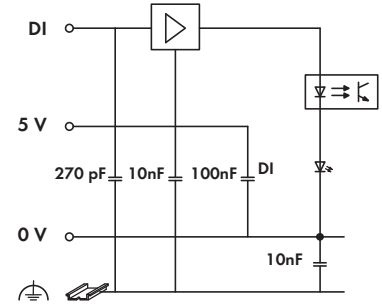
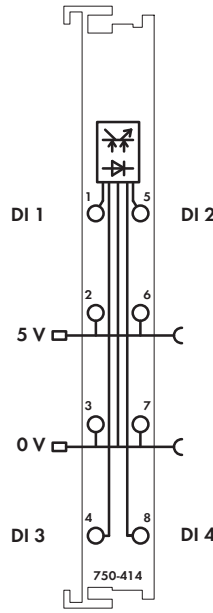
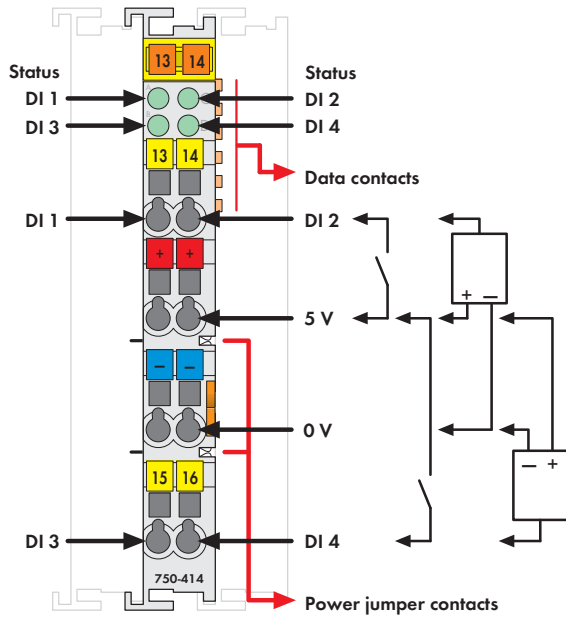


1 4-Channel Digital Input Module 5 V DC
2- to 3-conductor connection; high-side switching




Delivered without miniature WSB markers

The digital input module receives control signals from digital field devices (sensors, etc.).

Each input module has a noise-rejection filter.

An optocoupler is used for electrical isolation between the bus and the field side.

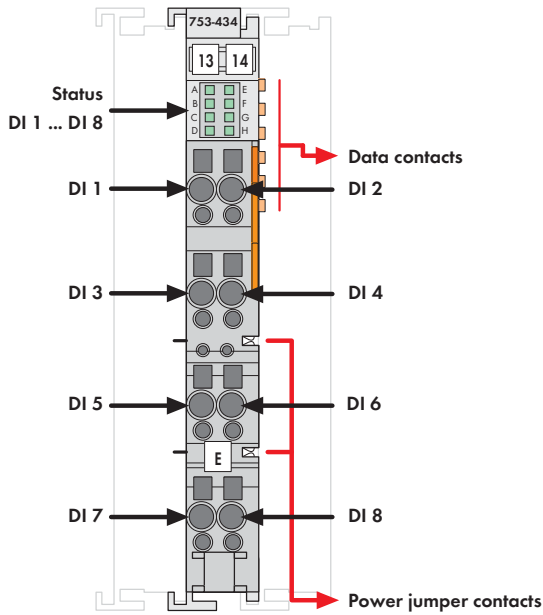
Notice:
An additional supply module must be added for operation with 5VDC.

Description	Item No.	Pack. Unit
4DI 5V DC 0.2ms	750-414	1
Accessories		
Miniature WSB Quick marking system		
 plain	248-501	5
with marking	see pages 352 ... 353	
Approvals		
Also see "Approvals Overview" in Section 1		
Conformity marking	CE	
UL 508		
ANSI/ISA 12.12.01	Class I, Div. 2, Grp. ABCD, T4	
EN 50021	II 3 G EEx nA II T4	

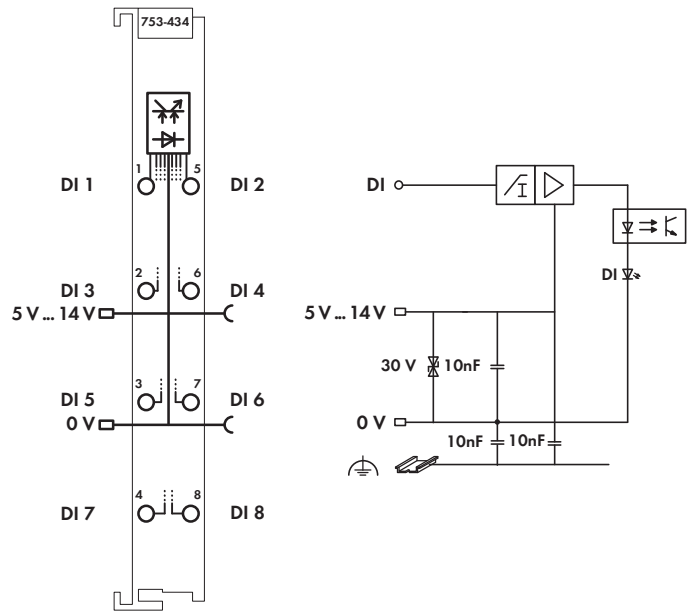
Technical Data	
Number of inputs	4
Current consumption (internal)	5 mA
Voltage via power jumper contacts	5 V DC
Signal voltage (0)	0 V ... +0.8 V DC
Signal voltage (1)	2.4 V ... 5 V DC
Input filter	0.2 ms
Input current (typ.)	50 µA
Isolation	500 V system/supply
Internal bit width	4 bits
Wire connection	CAGE CLAMP®
Cross sections	0.08 mm ² ... 2.5 mm ² / AWG 28 ... 14
Stripped lengths	8 ... 9 mm / 0.33 in
Width	12 mm
Weight	49.5 g
EMC: CE - immunity to interference	acc. to EN 61000-6-2 (2005)
EMC: CE - emission of interference	acc. to EN 61000-6-4 (2007)

8-Channel Digital Input Module 5 ... 14 V DC

1-conductor connection; high-side switching



Delivered without miniature WSB markers



NOTE: Connection point marking (i.e., 1 ... 8) does not refer to channel assignment




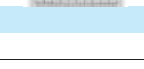
The digital input module provides 8 channels maintaining a width of only 12mm. It receives control signals from the digital field devices (sensors, etc.).

Each input module has a noise-rejection filter.

Field and system levels are electrically isolated.

Notice:

An additional supply module must be added for operation with 5-14VDC.

Description	Item No.	Pack. Unit
8DI 5 (14)V DC 0.2ms (without connector)	753-434	1
Accessories		
 753 Series Connectors	753-110	25
 Coding elements	753-150	100
Miniature WSB Quick marking system		
 plain	248-501	5
 with marking	see pages 352 ... 353	
Approvals		
Also see "Approvals Overview" in Section 1		
Conformity marking	CE	
Shipbuilding	pending	
UL 508		
ANSI/ISA 12.12.01	Class I, Div. 2, Grp. ABCD, T4	
EN 60079-0, -15	I M2 / II 3 GD Ex nA IIC T4	
EN 61241-0, -1		

Technical Data	
Number of inputs	8
Current consumption (internal)	4 mA
Voltage via power jumper contacts	5 V ... 14 V DC (-1.5 % ... +20 %)
Signal voltage (0)	-3 V DC ... 0.2 x V _V
Signal voltage (1)	0.5 V _V ... 1.1 V _V
Input filter	0.2 ms
Input current (typ.)	60 µA at 12 V
Input resistance	> 100 kΩ
Isolation	500 V system/supply
Internal bit width	8 bits
Wire connection	CAGE CLAMP®
Cross sections	0.08 mm ² ... 2.5 mm ² / AWG 28 ... 14
Stripped lengths	9 ... 10 mm / 0.37 in
Width	12 mm
Weight	40.4 g
EMC: CE - immunity to interference	acc. to EN 61131-2 (2003)
EMC: CE - emission of interference	acc. to EN 61131-2 (2003)
EMC: marine applications	
- immunity to interference	acc. to Germanischer Lloyd (2003)
EMC: marine applications	
- emission of interference	acc. to Germanischer Lloyd (2003)

Specialty Modules

Drive Technology



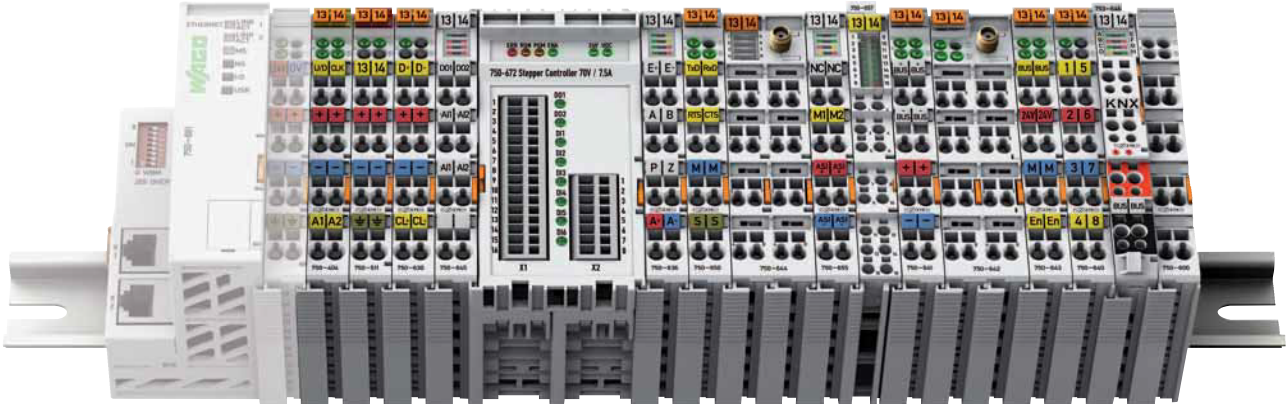
Communication and Gateway



Building Automation



- Counters
- Distance and Angle Measurement Modules
- Vibration Monitoring
- Positioning
 - Stepper controller
 - Servo stepper controller
 - DC drive controller 24 V/5 A
- DALI/DSI Master Module
- EnOcean Radio Receiver Module
- MP-Bus Master Module
- RTC Module
- KNX/EIB/TP1 Module



- IO-Link Master Module
- AS-Interface Master Module
 - Acc. to (M4) V 3.0 standard
 - Up to 62 slaves
- Radio Interface
 - Bluetooth®/RF transceiver
- Serial Interface
- DC-Drive Controller

