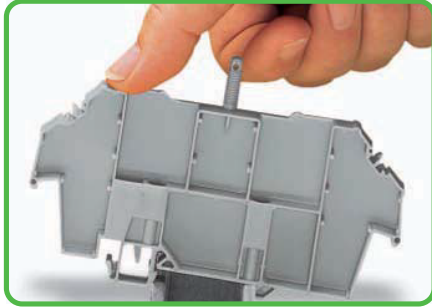


# Transparent Covers for Rail-Mounted Terminal Blocks, Usable with Lead Seals – Description and Handling –

## Assembly



Snapping a cover carrier onto the carrier rail.

## Application

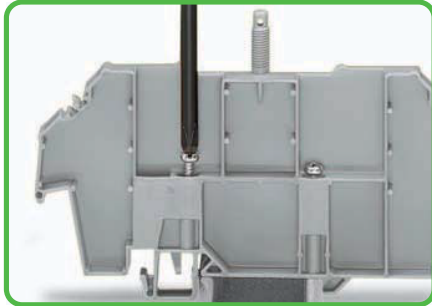


Application examples: cover (Type 1) without safety warning and lead seals.



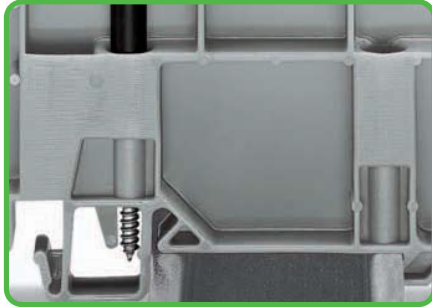
Cover with safety warning and lead seals.

## Assembly



Tightening both securing screw (left) and mounting screw (right).

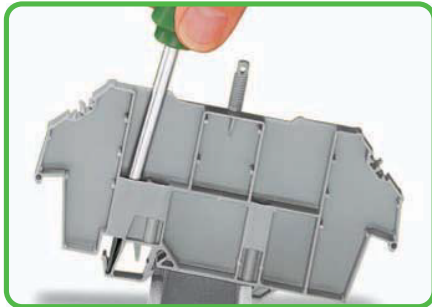
## Assembly



Securing screw – prevents lifting off from rail.  
Mounting screw – prevents the cover carrier from being moved on the rail.



## Removal



Removing a cover carrier from the carrier rail.

## Marking



Inserting a marking strip into the cover.

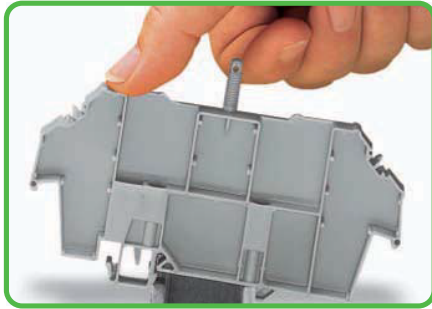
## Lead seal



Cover with lead seals.  
Using covers without lead seals, the thread dome-head can be broken off.

# Transparent Covers for Rail-Mounted Terminal Blocks, Usable with Lead Seals – Description and Handling –

## Assembly



Snapping a cover carrier onto the carrier rail.

## Application

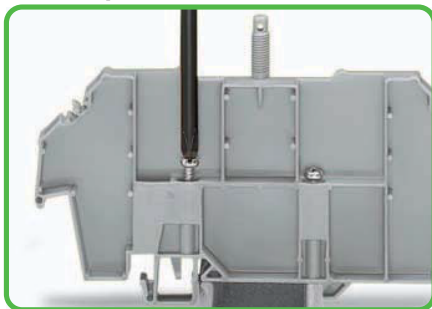


Application examples: cover (Type 1) without safety warning and lead seals.



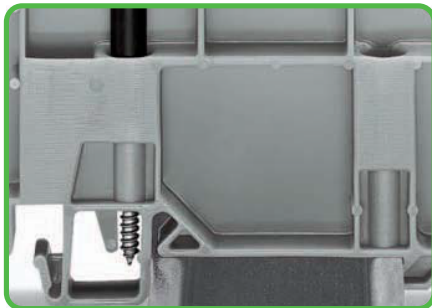
Cover with safety warning and lead seals.

## Assembly



Tightening both securing screw (left) and mounting screw (right).

## Assembly



Securing screw – prevents lifting off from rail.  
Mounting screw – prevents the cover carrier from being moved on the rail.



## Removal



Removing a cover carrier from the carrier rail.

## Marking



Inserting a marking strip into the cover.

## Lead seal



Cover with lead seals.  
Using covers without lead seals, the thread dome-head can be broken off.