

# Transparent Covers for Rail-Mounted Terminal Blocks, Usable with Lead Seals 709 Series

Cover and cover carrier, type 2



Item No.	Pack. Unit
<b>Cover, type 2,</b> suitable for cover carrier, type 2, 1 m/3'3" long transparent	<b>709-154</b> 1



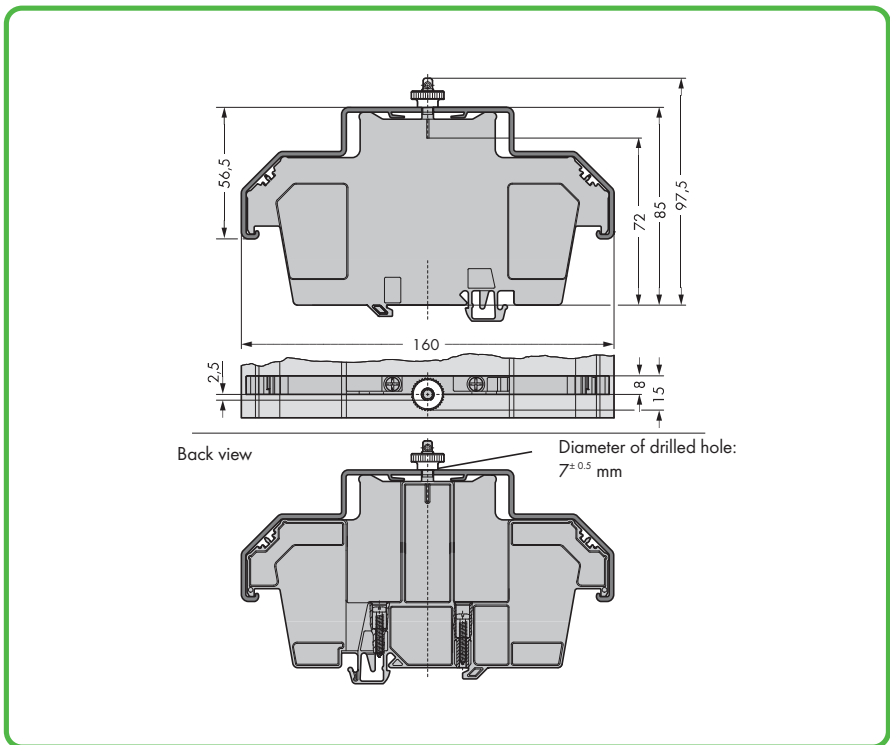
Item No.	Pack. Unit
<b>Cover carrier, type 2,</b> incl. mounting/securing screws and knurled nut, for 283 to 285 Series rail-mount terminal blocks, for 279 to 281 Series double- and triple-deck blocks, for 780 to 785, 775, 776 and 777 Series TOPJOB® terminals, for 280 Series sensor and actuator blocks, for 282 Series disconnect terminals for test and measurement for transformer circuits ● gray	<b>709-168</b> 10

### Accessories

<b>Marking card with 6 marking strips,</b> for group marking or safety instructions plain	<b>709-183</b> 1
-------------------------------------------------------------------------------------------------	------------------

<b>Spare mounting/securing screw,</b> for cover	<b>209-196</b> 200 (8x25)
----------------------------------------------------	---------------------------

<b>Spare knurled nut,</b> for cover	<b>210-549</b> 100 (4x25)
----------------------------------------	---------------------------



Dimensions in mm