

Transparent Covers for Rail-Mounted Terminal Blocks, Usable with Lead Seals 709 Series

Cover and cover carrier, type 2



Item No.	Pack. Unit
Cover, type 2, suitable for cover carrier, type 2, 1 m/3'3" long transparent	709-154 1



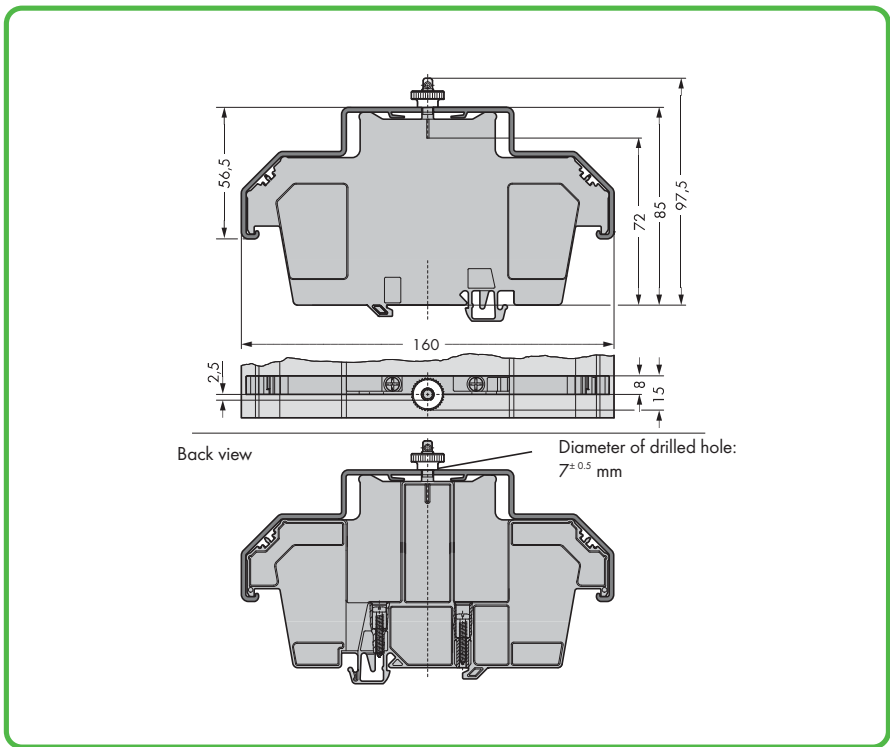
Item No.	Pack. Unit
Cover carrier, type 2, incl. mounting/securing screws and knurled nut, for 283 to 285 Series rail-mount terminal blocks, for 279 to 281 Series double- and triple-deck blocks, for 780 to 785, 775, 776 and 777 Series TOPJOB® terminals, for 280 Series sensor and actuator blocks, for 282 Series disconnect terminals for test and measurement for transformer circuits ● gray	709-168 10

Accessories

Marking card with 6 marking strips, for group marking or safety instructions plain	709-183	1
---	----------------	---

Spare mounting/securing screw, for cover	209-196	200 (8x25)
--	----------------	------------

Spare knurled nut, for cover	210-549	100 (4x25)
--	----------------	------------



Dimensions in mm