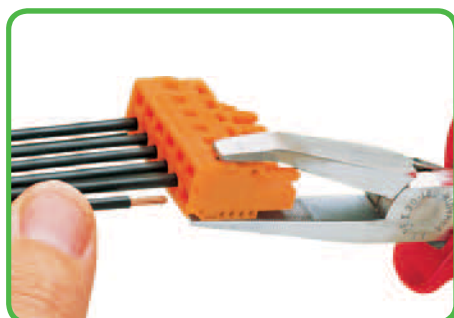


Accessories Operating Tools MCS-MIDI

Operating tool for male and female connectors equipped with CAGE CLAMP®	Operating levers for male and female connectors equipped with CAGE CLAMP®	Operating tools for male and female connectors equipped with CAGE CLAMP®
---	---	--



Color	Item No.	Pack. Unit	Color	Item No.	Pack. Unit	Color	Item No.	Pack. Unit
Operating tool, 5/5.08 mm and 7.5/7.62 mm pin spacing			Operating lever, 5/5.08 mm and 7.5/7.62 mm pin spacing			Operating tool, 5/5.08 mm and 7.5/7.62 mm pin spacing		
red	210-250	1	natural	231-131	100 (4 x 25)	natural	231-159	100 (4 x 25)
			red	231-291	100 (4 x 25)	red	231-231	100 (4 x 25)



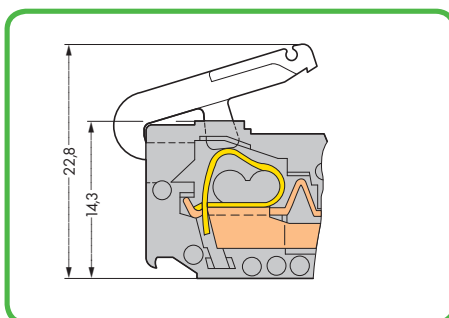
Inserting conductors via operating tool.



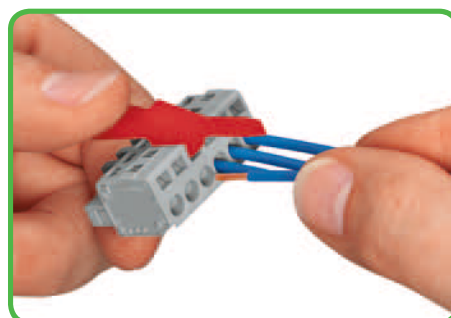
Inserting conductors via operating lever.



Inserting conductors - Operation parallel to conductor entry.



Not suitable for panel mounting with angled female connectors.



Inserting conductors - Operation perpendicular to conductor entry.