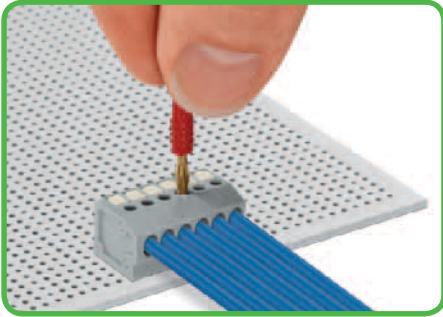
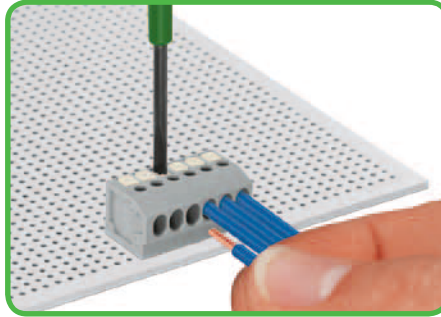


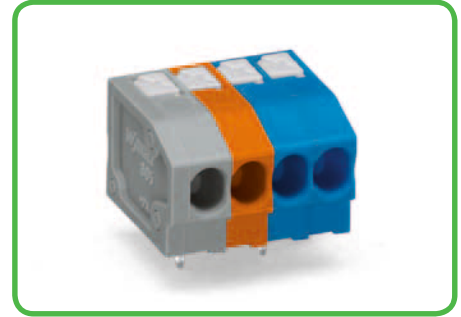
# Description and Handling 804 and 805 Series



Testing with Ø 2 mm test plug, tip contact with current bar.



Inserting solid conductors by simply pushing them in. Inserting and removing fine-stranded conductors via push-buttons.

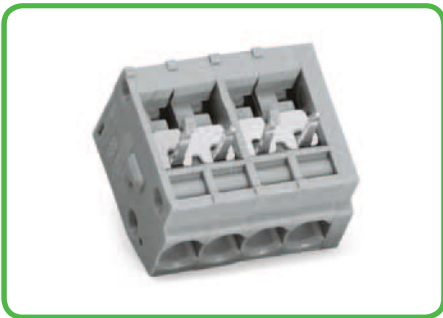


Mixed-color terminal strips available upon request.



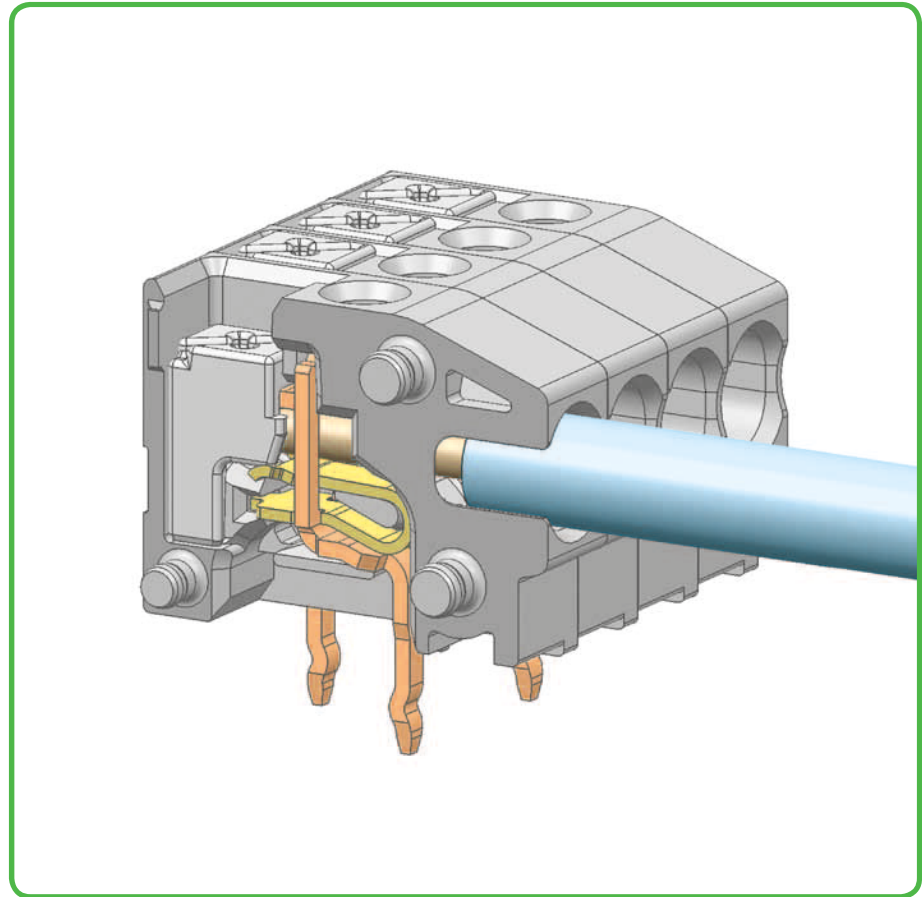
Terminal strips with spacers and enlarged conductor entry (5 mm pin spacing) upon request.

## Internal commoning



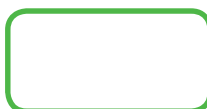
The 805 Series terminal strips provide "internal commoning" to meet requirements for not routing the ground (earth) conductor over the board. This enables custom terminal strips to be commoned and marked at the factory upon request.

## 805 Series

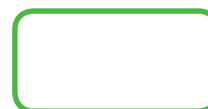


CAGE CLAMP®S clamps the following copper conductors:\*

solid

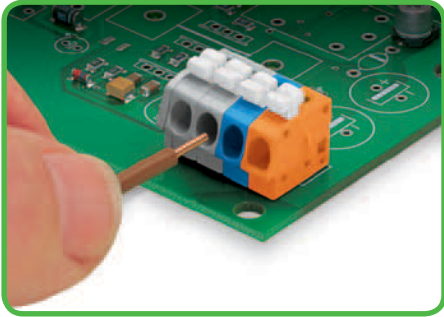


stranded

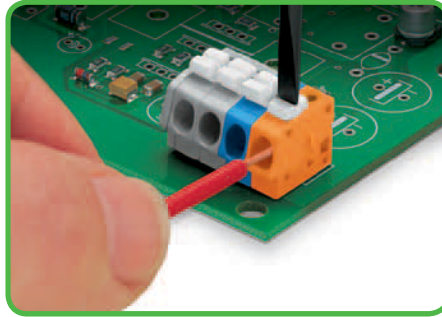


fine-stranded, also with tinned single strands

\* For aluminum conductors, see notes in Section 11.

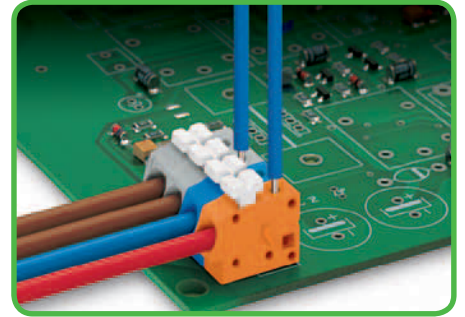


Inserting solid conductor: Simply push in conductor until it hits backstop.



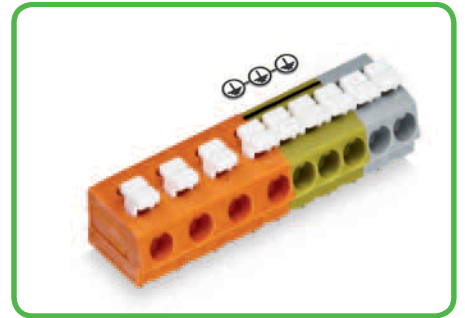
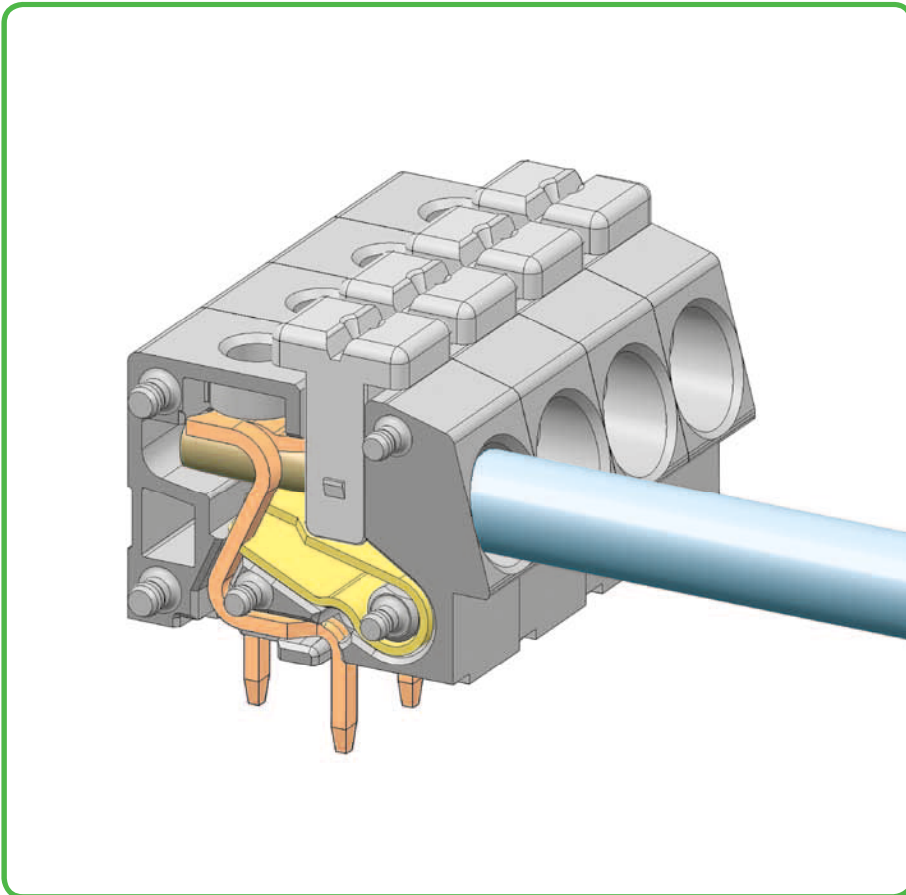
Inserting/removing fine-stranded conductor: Open clamping unit via push-button and insert stripped conductor until it hits backstop.

Testing



Testing with Ø 1 mm test pin, tip contact with current bar.

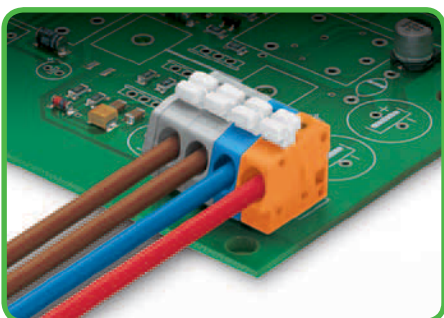
804 Series



The 804 Series terminal strips provide "internal commoning" to meet requirements for not routing the ground (earth) conductor over the board. This enables custom terminal strips to be commoned and marked at the factory upon request.

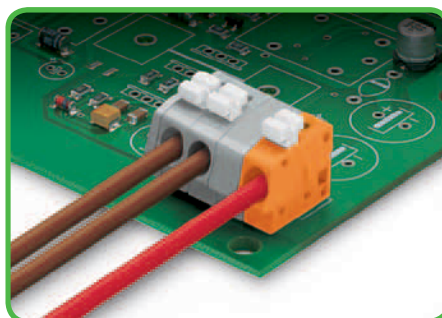


Colors



Mixed-color terminal strips available upon request.

Spacers



Terminal strips with spacers upon request.

Marking



Marking via self-adhesive marker trips or factory direct printing.



fine-stranded, tip-bonded



fine-stranded with crimped ferrules (gas-tight)



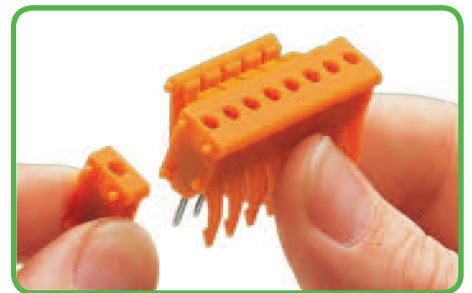
fine-stranded with crimped pin terminal (gas-tight)

# Modular Test Plug Adapters for 255, 256 and 257 Series PCB Terminal Blocks

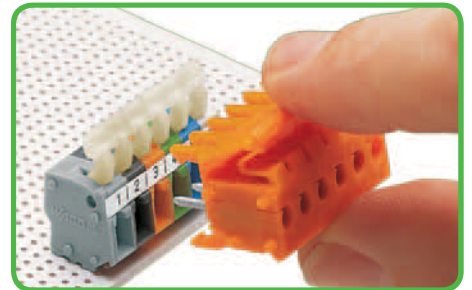
Pin spacing		Pin spacing	
5 mm / 0.197 in	320 V/2.5 kV/2 (II) 6 A	5.08 mm / 0.2 in	320 V/2.5 kV/2 (II) 6 A
7.5 mm / 0.295 in	630 V/ 4 kV/2 (II) 6 A	7.62 mm / 0.3 in	630 V/ 4 kV/2 (II) 6 A
10 mm / 0.394 in	1000 V/ 6 kV/2 (II) 6 A	10.16 mm / 0.4 in	1000 V/ 6 kV/2 (II) 6 A



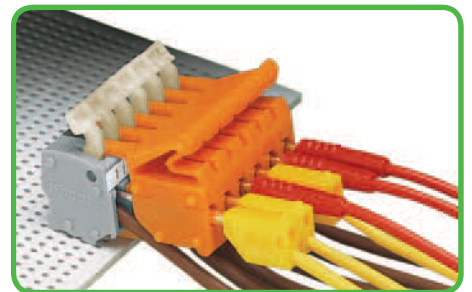
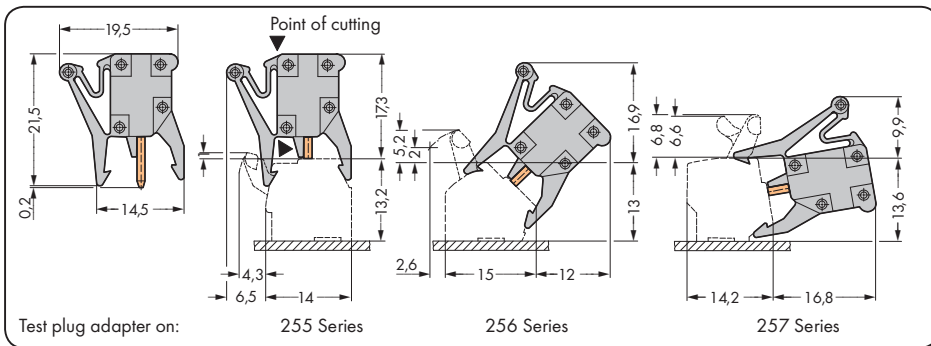
Color	Item No.	Pack. Unit	Color	Item No.	Pack. Unit
Test plug adapter, 1-pole, modular, socket for Ø 2 mm and Ø 2.3 mm test plugs			Test plug adapter, 1-pole, modular, socket for Ø 2 mm and Ø 2.3 mm test plugs		
Pin spacing 5 mm / 0.197 in			Pin spacing 5.08 mm / 0.2 in		
● gray	249-110	100 (4 x 25)	● orange	249-111	100 (4 x 25)
Pin spacing 7.5 mm / 0.295 in			Pin spacing 7.62 mm / 0.3 in		
● gray	249-112	100 (4 x 25)	● orange	249-113	100 (4 x 25)
Pin spacing 10 mm / 0.394 in			Pin spacing 10.16 mm / 0.4 in		
● gray	249-114	100 (4 x 25)	● orange	249-115	100 (4 x 25)
<b>Accessories</b>			<b>Item No.</b>		<b>Page:</b>
Test plug, with 500 mm cable, Ø 2.3 mm, yellow			210-137		502
Test plug, with 500 mm cable, Ø 2 mm, red			210-136		502



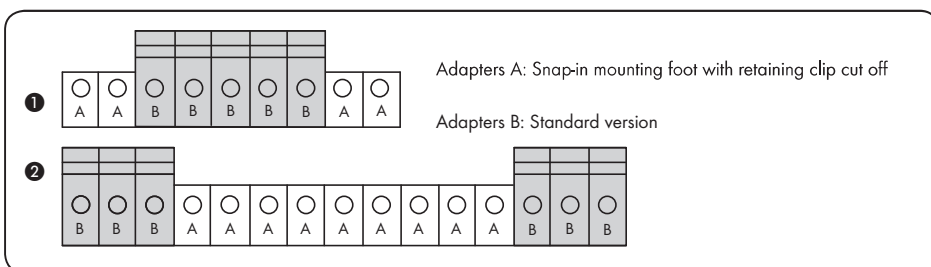
Assembling a multipole test plug adapter.



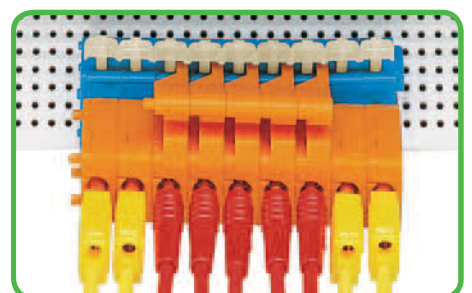
Inserting a test plug adapter into a terminal strip.



Testing terminal blocks with terminated conductors.



- For lengths longer than 7 poles, the feet and retaining clip should be cut off!
- Adapters with mounting foot cut off assembled on both ends (7 to 9 poles)
  - Adapters with mounting foot cut off in center position (10 to 15 poles)



9-pole test plug adapter, - external mounting feet with retaining clip cut off.