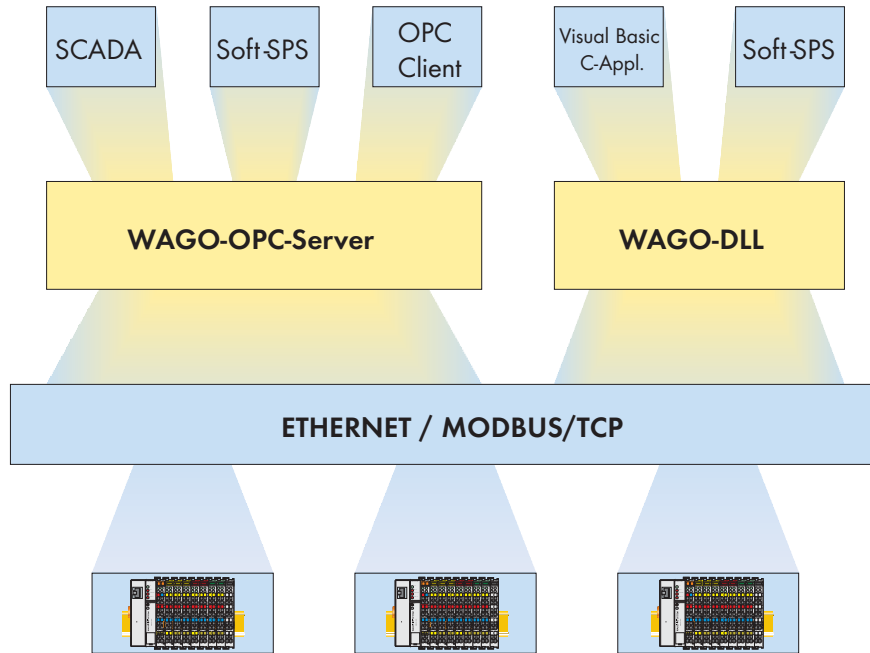


WAGO Interface Software

OPC Server / DLL for MODBUS/TCP



WAGO OPC Server MODBUS/TCP

The OPC standard defines an open industrial interface which can be used by PC-based software components to transfer data. The interface is based on the OLE (Object Linking and Embedding), COM (Component Object Model), and DCOM (Distributed COM) Windows technologies. OPC therefore offers the ideal basis for linking industrial applications, or MS Office programs with the automation level field devices, such as the WAGO-I/O-SYSTEM 750. The MODBUS/TCP-OPC server from WAGO enables extremely simple and convenient access to your MODBUS/TCP-ETHERNET devices. Simple configuration of the OPC server shortens the time needed for training and startup.

WAGO-DLL-MODBUS/TCP

The DLL supports the programmer when programming his own automation applications. Using the DLL allows easy access to the WAGO Ethernet coupler. Both C and Visual Basic are appropriate for use with the DLL.

| Description | Item No. | Pack. Unit |
|--------------------------------|--|------------|
| WAGO OPC Server for MODBUS/TCP | 759-311 | 1 |
| Technical Data | | |
| System requirements: | | |
| OPC specifications | Data Access V 1.0A; Data Access V 2.04 | |
| Operating system | Windows XP | |
| Supported protocols | MODBUS/TCP and MODBUS via UDP | |
| OPC server licenses | 759-311 1 | |
| | 759-311/000-100 10 | |
| | 759-311/000-200 25 | |
| | 759-311/000-300 unlimited | |
| Included: | incl. configuration tool | |

| Description | Item No. | Pack. Unit |
|---------------------------------|--|------------|
| WAGO DLL for MODBUS/TCP | 759-312 | 1 |
| Technical Data | | |
| System requirements: | | |
| Operating system | Windows XP | |
| Supported protocols | MODBUS/TCP and MODBUS via UDP; FC1, FC2, FC3, FC4, FC7, FC15, FC16 | |
| Supported programming languages | Visual Basic (synchronous function calls); Visual Basic .NET; C (synchronous and asynchronous function call); C# | |

Windows® is a registered trademark of Microsoft Corporation