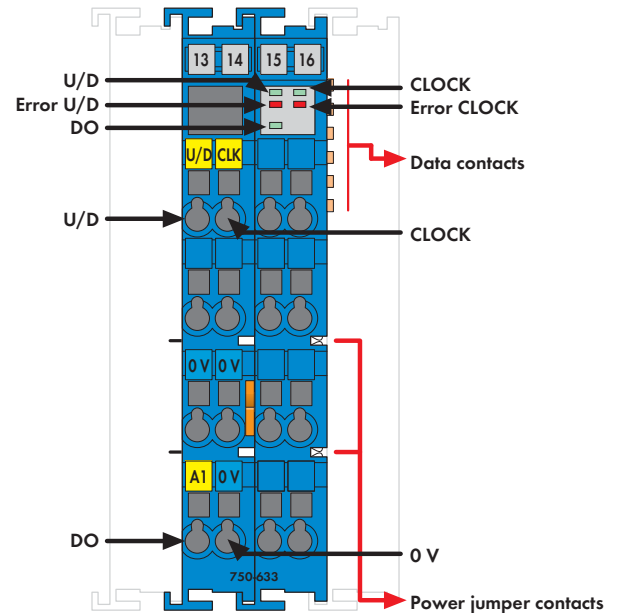


1 Up/Down Counter, Ex i

324



Delivered without miniature WSB markers

The 750-633 Counter records binary pulse signals with NAMUR-compliant levels and transmits the counter state to the fieldbus system. The U/D input allows either Up or Down counting. Counter and digital output (DO) can be set or reset via control byte. The output is short-circuit proof.


LED indicators:

- Green LED (Up/Down + CLK + DO status)
- Red LED (Up/Down + CLK error status)

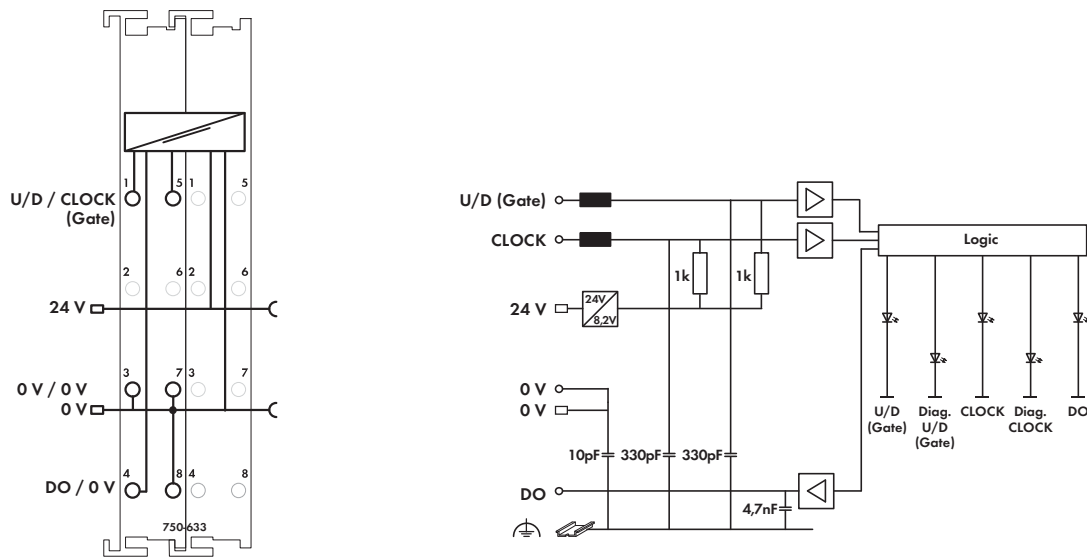
Field and system levels are electrically isolated.

Note: Only use the up/down counter in connection with the 24VDC Ex i supply module (note the power supply instructions on page 23)!

General information (e.g., installation regulations) on explosion protection is available in the WAGO-I/O-SYSTEM 750 manuals!

Description	Item No.	Pack. Unit
Up/Down Counter, Ex i	750-633	1
Accessories		
Miniature WSB Quick marking system		
 plain	248-501	5
with marking	see pages 352 ... 353	

Technical Data	
No. of counters	1
No. of outputs	1
Current consumption typ. (internal)	25 mA
Voltage via power jumper contacts	Supply via 24 V DC Ex i supply module
Counter	
Signal current (0)	≤ 1.2 mA
Signal current (1)	≥ 2.1 mA
Input filter	10 μs
Switching hysteresis	0.2 mA
Input resistance	1 kOhm
Short-circuit current	8,2 mA (+/- 5 %)
Short-circuit monitoring	> 6.4 mA
Line break monitoring	≤ 0.3 mA
Switching frequency	20 kHz - 50 kHz
Counter depth	32 bits
Output	
Output data	24 VDC, Ri = 285 Ω (+/- 5 %)
Open-circuit voltage	24 VDC
Current consumption typ. (field side)	31 mA + sensor load + actuator load
Power consumption P (max.)	2.2 W
	(sensor load: 8.2 mA
	+ actuator load: 45 mA)
Power loss P _v	1.7 W
	(sensor load: 8.2 mA
	+ actuator load: 45 mA)
Isolation (peak value)	375 V system/supply
Bit width	1 x 32-bit data,
	1 x 8-bit status/diagnostics



Technical Data

Wire connection	CAGE CLAMP®
Cross sections	0.08 mm² ... 2.5 mm² / AWG 28 ... 14
Stripped lengths	8 ... 9 mm / 0.33 in
Width	24 mm
Weight	85 g
EMC: CE - immunity to interference	acc. to EN 61000-6-2 (2005)
EMC: CE - emission of interference	acc. to EN 61000-6-4 (2007)
EMC: marine applications	
- immunity to interference	pending
EMC: marine applications	
- emission of interference	pending

General Specifications

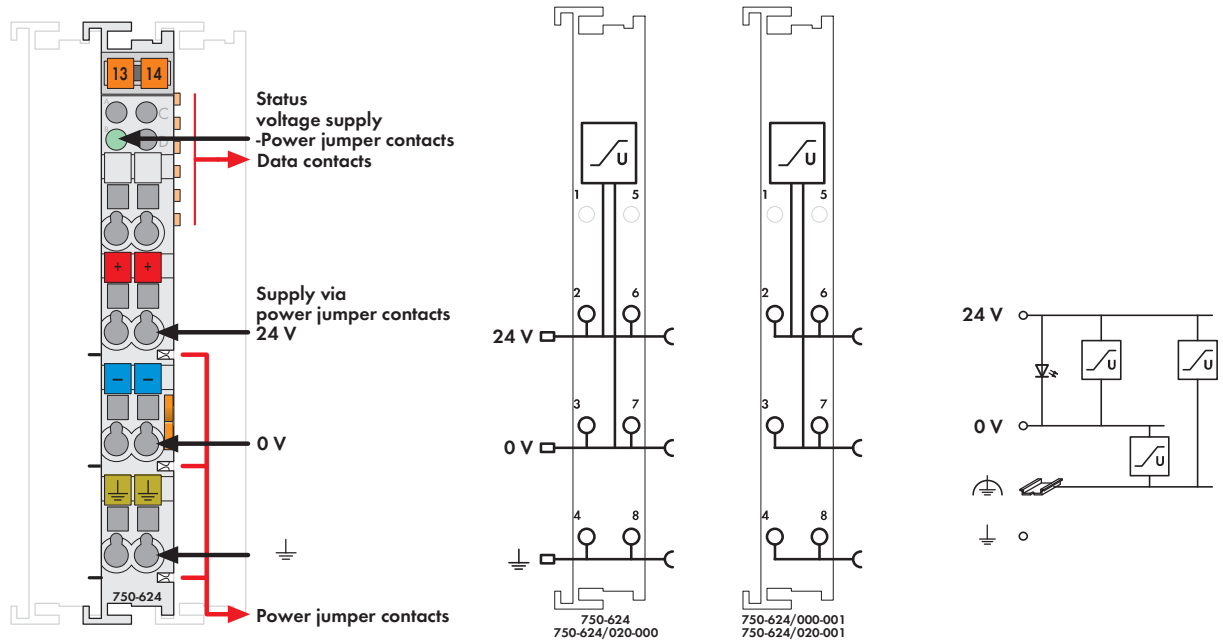
Explosion Protection	
Ex directive	EN 60079-0:2006, EN 60079-11:2007, EN 60079-15:2005, EN 61241-0:2006, EN 61241-1:2004, EN 61241-11:2006
Electric circuit, safety relevant data	$V_0 = 12 \text{ V}$; $I_0 = 13.3 \text{ mA}$; $P_0 = 40 \text{ mW}$; Characteristic: Linear
Intrinsically safe Ex ia IIC	$L_0 = 190 \text{ mH}$; $C_0 = 1.4 \text{ }\mu\text{F}$
Intrinsically safe Ex ia IIB	$L_0 = 600 \text{ mH}$; $C_0 = 9 \text{ }\mu\text{F}$
Intrinsically safe Ex ia I	$L_0 = 1 \text{ H}$; $C_0 = 35 \text{ }\mu\text{F}$
Intrinsically safe	without consideration of the simultaneousness; with consideration of the simultaneousness see manual

Standards, Guidelines and Approvals

EC EMC guideline	2004/108/EG
EC low voltage guideline	2006/95/EG
Conformity marking	CE
Ⓢ TÜV 07 ATEX 554086 X	I (M2) [Ex ia] I II 3 (1) G Ex nA [ia Ga] IIC T4 Gc II 3 (1) D Ex t [ia Da] IIIC T135°C Dc
Ⓢ TUN 09.0001X	[Ex ia] I Ex nA [ia Ga] IIC T4 Gc Ex t [ia Da] IIIC T135°C Dc
Ⓢ ANSI/ISA 12.12.01	pending
Ⓢ UL 508	pending
Shipbuilding	pending

Filter Module

for field side power supply



Delivered without miniature WSB markers


The WAGO-I/O-SYSTEM 750 can also be used in shipbuilding applications and onshore/offshore installations (e.g., platforms, loading facilities). This is possible via certification under the standards of leading agencies such as Germanischer Lloyd and Lloyds Register. This module ensures proper (certified) system operation and is equipped with surge suppression for 24VDC field side power supply. High-insulation versions are optimized for use in systems with insulation monitoring.

750-624/020-000, 750-624/020-001

- Required for shipbuilding certified operation with 750 Series I/O modules.
- 750-624/020-001 may also be used as a supply module.

750-624, 750-624/000-001

- Required for shipbuilding certified operation with 750-625 Ex i supply module.
- Required for the use of 750 Series PROFIsafe modules.
- 750-624/000-001 may also be used as a supply module.

Description	Item No.	Pack. Unit
24V DC Field Side Power Supply Filter with Overvoltage (Surge) Protection, High Isolation	750-624/020-000	1
24V DC Field Side Power Supply Filter with Overvoltage (Surge) Protection, High Isolation / without Power Jumper Contacts	750-624/020-001	1
24V DC Field Side Power Supply Filter with Overvoltage (Surge) Protection	750-624	1
24V DC Field Side Power Supply Filter with Overvoltage (Surge) Protection / without Power Jumper Contacts	750-624/000-001	1
Accessories	Item No.	Pack. Unit
Miniature WSB Quick marking system		
 plain	248-501	5
with marking	see pages 352 ... 353	
Approvals	Also see "Approvals Overview" in Section 1	
Conformity marking	CE	
Shipbuilding (versions upon request)	ABS, BV, DNV, GL, KR, LR, NKK, PRS, RINA	
UL 508		
ANSI/ISA 12.12.01	Class I, Div. 2, Grp. ABCD, T4	
EN 60079-0, -15	I M2 / II 3 GD Ex nA IIC T4	750-624/...
EN 61241-0, -1		
EN 60079-0, -11, -15	I M2 Ex d I	750-624*
EN 61241-0, -1, -11	II 3 G Ex nA IIC T4	750-624*
	II 3 D Ex tD A22 IP6X T135°C	750-624*
* Permissible operating temperature: 0°C ... +60°C		

Technical Data	
Voltage via power jumper contacts (max.)	24 V DC (-25 % ... +30 %)
Current via power jumper contacts (max.)	10 A DC
Wire connection	CAGE CLAMP®
Cross sections	0.08 mm² ... 2.5 mm² / AWG 28 ... 14
Stripped lengths	8 ... 9 mm / 0.33 in
Width	12 mm
Weight	51 g
EMC: CE - immunity to interference	acc. to EN 61000-6-2 (2005)
EMC: CE - emission of interference	acc. to EN 61000-6-3 (2007)
EMC: marine applications	
- immunity to interference	acc. to Germanischer Lloyd (2003)
EMC: marine applications	
- emission of interference	acc. to Germanischer Lloyd (2003)