

3

- Note:**
- Installation connectors are designed for connection and disconnection while not under load.
 - There is no hazard-inducing interchangeability with other systems based on IEC 60309, IEC 60320, IEC 60906 and with national connector and socket systems.
 - Compliance with the standards (IEC 61535) does not guarantee hazard-avoiding, non-interchangeability with installation connector systems from various manufacturers.
 - Installation connector systems are not a substitute for residential connector/socket systems.
 - WINSTA® MIDI connectors are not suitable for easy-to-reach areas, except IP 2XD compliant specialty products (see pages 99 to 101).

3



770 Series

- Linect® T-Connector, 2-Pole
- Linect® T-Connector, 3-Pole
- Linect® T-Connector, 4-Pole
- Linect® T-Connector, 5-Pole

60, 66
60, 84
61, 110
61, 124



770 Series

- Pluggable Connectors, 2-Pole
- Pluggable Connectors, 3-Pole
- Pluggable Connectors, 4-Pole
- Pluggable Connectors, 5-Pole

62 - 63
74 - 75, 80 - 81
102 - 103
114 - 117



770 Series

- Strain Relief Housings, 2-Pole
- Strain Relief Housings, 3-pole
- Strain Relief Housings, 4-Pole
- Strain Relief Housings, 5-pole
- Strain Relief Housings, 6-Pole
- Strain Relief Housings, 7-Pole

64
76 - 77
104
118 - 119
140
141



770 Series

- Snap-In Device Connectors, 2-Pole
- Snap-In Device Connectors, 3-Pole
- Snap-In Device Connectors, 4-Pole
- Snap-In Device Connectors, 5-Pole

65
78 - 79
106 - 107
120 - 121



770 Series

- PCB Connectors, 3-Pole
- PCB Connectors, 4-Pole
- PCB Connectors, 5-Pole

82 - 83
108 - 109
122 - 123



770 Series

- Distribution Connectors, 2-Pole
- Intermediate Couplers and T-Distribution Connectors, 3-Pole
- Distribution Connectors, 4-Pole
- Intermediate Couplers and T-Distribution Connectors, 5-Pole
- Distribution Box

67
84 - 88
110 - 111
124 - 128
138 - 139



771 Series

- Cable Assemblies, 2-Pole
- Cable Assemblies, 3-Pole
- Cable Assemblies, 4-Pole
- Cable Assemblies, 5-Pole


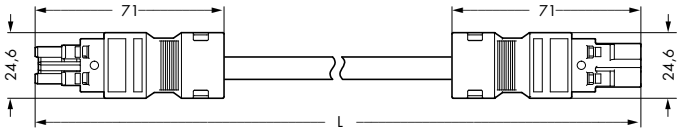

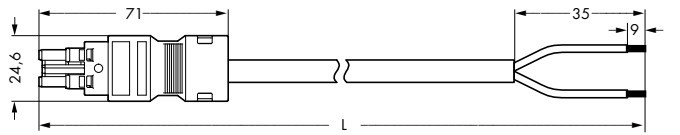

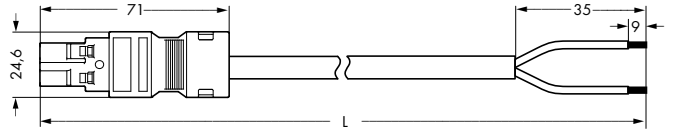




68 - 73
90 - 97
112
129 - 137



770/771 Series

- Strain Relief Housings, IP 2XD, 3-Pole
- Cable Assemblies, IP 2XD, 3-Pole

99
100 - 101

		PVC H05VV-F 2x2.5 halogen-free H05Z1 Z1-F 2x2.5 250 V/4 kV/3 I _N 20 A Conductor ends, bonded: 9 mm ① Approvals				
Interconnecting cable, socket – plug		Length	Item No. black	Item No. white	Item No. black	Item No. white
		● ○ Coding A PVC halogen-free				
		1 m	771-8992/007-101	.../007-102	771-8992/017-101	.../017-102
		2 m	771-8992/007-201	.../007-202	771-8992/017-201	.../017-202
		3 m	771-8992/007-301	.../007-302	771-8992/017-301	.../017-302
		5 m	771-8992/007-501	.../007-502	771-8992/017-501	.../017-502
		7 m	771-8992/007-701	.../007-702	771-8992/017-701	.../017-702
Connecting cable, socket – free end		Length	Item No. black	Item No. white	Item No. black	Item No. white
		● ○ Coding A PVC halogen-free				
		1 m	771-8992/107-101	.../107-102	771-8992/117-101	.../117-102
		2 m	771-8992/107-201	.../107-202	771-8992/117-201	.../117-202
		3 m	771-8992/107-301	.../107-302	771-8992/117-301	.../117-302
		5 m	771-8992/107-501	.../107-502	771-8992/117-501	.../117-502
		7 m	771-8992/107-701	.../107-702	771-8992/117-701	.../117-702
Connecting cable, plug - free end		Length	Item No. black	Item No. white	Item No. black	Item No. white
		● ○ Coding A PVC halogen-free				
		1 m	771-8992/207-101	.../207-102	771-8992/217-101	.../217-102
		2 m	771-8992/207-201	.../207-202	771-8992/217-201	.../217-202
		3 m	771-8992/207-301	.../207-302	771-8992/217-301	.../217-302
		5 m	771-8992/207-501	.../207-502	771-8992/217-501	.../217-502
		7 m	771-8992/207-701	.../207-702	771-8992/217-701	.../217-702
Info		Accessories				
① For "International Certification Organizations" and "Approvals – User Guide," see pages 240 to 243. Marine approvals (GL, LR, NV) relate exclusively to cables approved for marine applications. For other cables, please contact factory. ● black Coding A (L N) ○ white Coding A (L N) ● dark gray Coding L (L' N') For coding information, see pages 224 to 226. Fire load data available upon request.		Locking lever, for "flying leads," manually operated				
		 black 770-101 100 (4x25)				
		white 770-121 100 (4x25)				
		Locking lever, for "flying leads," tool operated				
		 black 770-111 100 (4x25)				
		white 770-131 100 (4x25)				
		Lockout cap, for socket, separable, 12-pole				
		 black 770-201 100				
		white 770-221 100				
		Lockout cap, for plug, separable, 5-pole				
 yellow 770-360 100						