

3

- Note:**
- Installation connectors are designed for connection and disconnection while not under load.
 - There is no hazard-inducing interchangeability with other systems based on IEC 60309, IEC 60320, IEC 60906 and with national connector and socket systems.
 - Compliance with the standards (IEC 61535) does not guarantee hazard-avoiding, non-interchangeability with installation connector systems from various manufacturers.
 - Installation connector systems are not a substitute for residential connector/socket systems.
 - WINSTA® MIDI connectors are not suitable for easy-to-reach areas, except IP 2XD compliant specialty products (see pages 99 to 101).

3



770 Series

- Linect® T-Connector, 2-Pole
- Linect® T-Connector, 3-Pole
- Linect® T-Connector, 4-Pole
- Linect® T-Connector, 5-Pole

60, 66
60, 84
61, 110
61, 124



770 Series

- Pluggable Connectors, 2-Pole
- Pluggable Connectors, 3-Pole
- Pluggable Connectors, 4-Pole
- Pluggable Connectors, 5-Pole

62 - 63
74 - 75, 80 - 81
102 - 103
114 - 117



770 Series

- Strain Relief Housings, 2-Pole
- Strain Relief Housings, 3-pole
- Strain Relief Housings, 4-Pole
- Strain Relief Housings, 5-pole
- Strain Relief Housings, 6-Pole
- Strain Relief Housings, 7-Pole

64
76 - 77
104
118 - 119
140
141



770 Series

- Snap-In Device Connectors, 2-Pole
- Snap-In Device Connectors, 3-Pole
- Snap-In Device Connectors, 4-Pole
- Snap-In Device Connectors, 5-Pole

65
78 - 79
106 - 107
120 - 121



770 Series

- PCB Connectors, 3-Pole
- PCB Connectors, 4-Pole
- PCB Connectors, 5-Pole

82 - 83
108 - 109
122 - 123



770 Series

- Distribution Connectors, 2-Pole
- Intermediate Couplers and T-Distribution Connectors, 3-Pole
- Distribution Connectors, 4-Pole
- Intermediate Couplers and T-Distribution Connectors, 5-Pole
- Distribution Box

67
84 - 88
110 - 111
124 - 128
138 - 139



771 Series

- Cable Assemblies, 2-Pole
- Cable Assemblies, 3-Pole
- Cable Assemblies, 4-Pole
- Cable Assemblies, 5-Pole

68 - 73
90 - 97
112
129 - 137

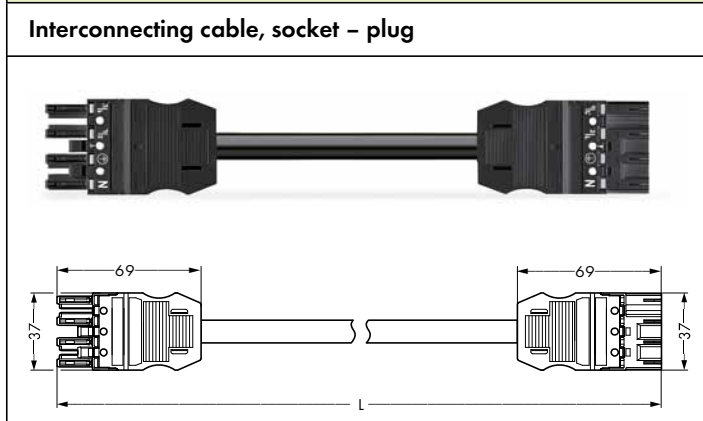


770/771 Series

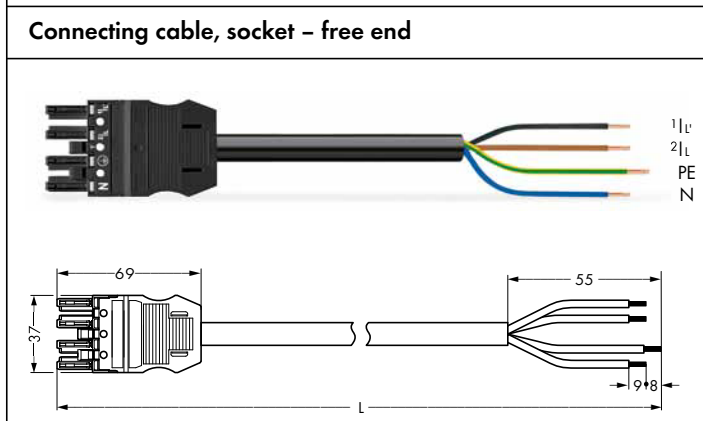
- Strain Relief Housings, IP 2XD, 3-Pole
- Cable Assemblies, IP 2XD, 3-Pole

99
100 - 101

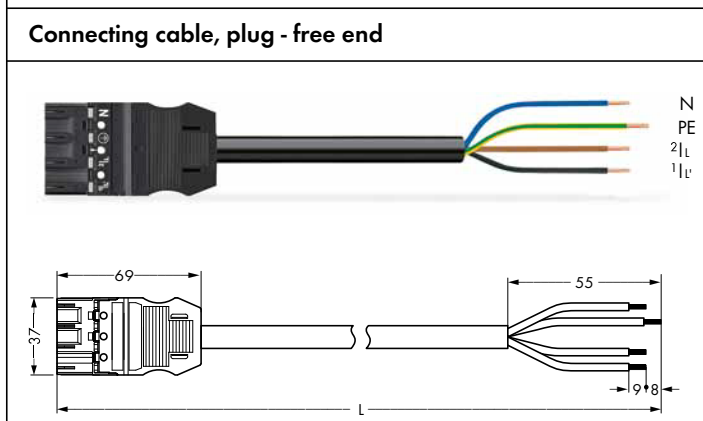
<p>PVC H05VV-F 4G1.5 halogen-free H05Z1Z1-F 4G1.5</p> <p>400 V/6 kV/3 I_N 16 A</p> <p>Conductor ends, bonded: 9 mm</p> <p>● Approvals</p>	
---	--



Length	Item No. black	Item No. white	Item No. black	Item No. white
● ○ Coding A				
PVC		halogen-free		
1 m	771-9994/006-101	.../006-102	771-9994/016-101	.../016-102
2 m	771-9994/006-201	.../006-202	771-9994/016-201	.../016-202
3 m	771-9994/006-301	.../006-302	771-9994/016-301	.../016-302
5 m	771-9994/006-501	.../006-502	771-9994/016-501	.../016-502
7 m	771-9994/006-701	.../006-702	771-9994/016-701	.../016-702



Length	Item No. black	Item No. white	Item No. black	Item No. white
● ○ Coding A				
PVC		halogen-free		
1 m	771-9994/106-101	.../106-102	771-9994/116-101	.../116-102
2 m	771-9994/106-201	.../106-202	771-9994/116-201	.../116-202
3 m	771-9994/106-301	.../106-302	771-9994/116-301	.../116-302
5 m	771-9994/106-501	.../106-502	771-9994/116-501	.../116-502
7 m	771-9994/106-701	.../106-702	771-9994/116-701	.../116-702



Length	Item No. black	Item No. white	Item No. black	Item No. white
● ○ Coding A				
PVC		halogen-free		
1 m	771-9994/206-101	.../206-102	771-9994/216-101	.../216-102
2 m	771-9994/206-201	.../206-202	771-9994/216-201	.../216-202
3 m	771-9994/206-301	.../206-302	771-9994/216-301	.../216-302
5 m	771-9994/206-501	.../206-502	771-9994/216-501	.../216-502
7 m	771-9994/206-701	.../206-702	771-9994/216-701	.../216-702

Info

● For "International Certification Organizations" and "Approvals - User Guide," see pages 240 to 243. Marine approvals (GL, LR, NV) relate exclusively to cables approved for marine applications.

For other cables, please contact factory.

● black Coding A (N 3 2IL 1IL')
○ white Coding A (N 3 2IL 1IL')

For coding information, see pages 224 to 226.
Fire load data available upon request.

Accessories

Locking lever, for "flying leads,"			
	manually operated		
	black	770-101	100 (4x25)
	white	770-121	100 (4x25)
Locking lever, for "flying leads,"			
	tool operated		
	black	770-111	100 (4x25)
	white	770-131	100 (4x25)
Lockout cap, for socket, separable, 12-pole			
	black	770-201	100
	white	770-221	100
Lockout cap, for plug, separable, 5-pole			
	yellow	770-360	100