

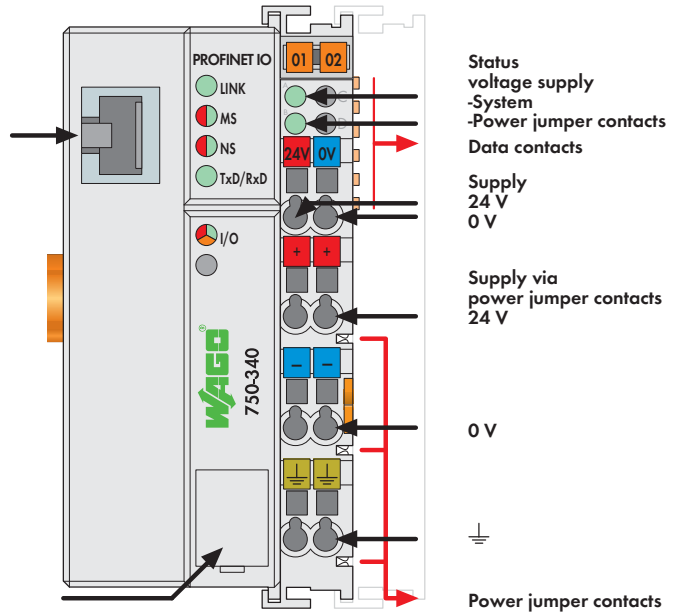
1 PROFINET IO Fieldbus Coupler

10/100 Mbit/s; digital and analog signals



Fieldbus connection RJ-45


Configuration interface



This fieldbus coupler connects the WAGO-I/O-SYSTEM as a slave to the PROFINET IO Industrial ETHERNET standard for automation. The fieldbus coupler supports all WAGO-I/O-SYSTEM modules.

The coupler automatically configures, creating a local process image which may include analog, digital, or specialty modules. Analog and specialty module data is sent via words and/or bytes; digital data is sent bit by bit.

The fieldbus coupler is integrated into the application as a PROFINET IO device.

Description	Item No.	Pack. Unit
PROFINET IO 100 MBit	750-340	1
Accessories		
Miniature WSB Quick marking system		
 plain	248-501	5
with marking	see pages 352 ... 353	
Approvals		
Also see "Approvals Overview" in Section 1		
Conformity marking	CE	
UL 508		
EN 60079-0, -15	I M2 / II 3 GD Ex nA IIC T4	
EN 61241-0, -1		

System Data	
No. of couplers connected to Master	limited by PROFINET specification
Transmission medium	Twisted Pair S-UTP 100 Ω cat. 5
Max. length of fieldbus segment	100 m between hub station and 750-340; max. length of network limited by PROFINET specification
Baud rate	10/100 Mbit/s
Buscoupler connection	RJ-45
Protocols	PROFINET RT V2.0 (RT Class 1); Conformance Class A (DCP, UDP); HTTP

