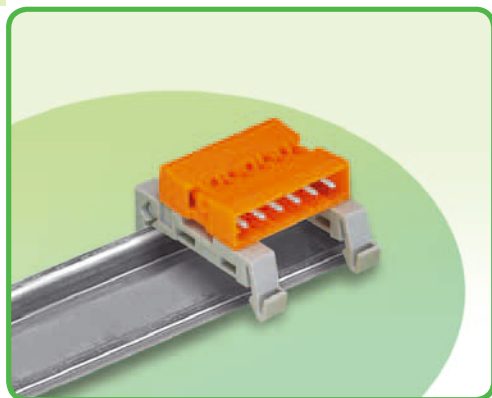


## Double-Pin Male Connectors with Mounting Feet for DIN 35 Rail Pin Spacing 5 mm, 5.08 mm MCS-MIDI Classic



- Allows MCS female connectors fitted with wire harness or cable assembly to be plugged together
- Adapter for DIN 35-rail mounting
- With coding keys on both sides

### Technical data:

| Pin Spacing          | 5 mm<br>0.197 in |       |       | 5.08 mm<br>0.2 in |       |       |
|----------------------|------------------|-------|-------|-------------------|-------|-------|
|                      | IEC/EN 60664-1   |       |       | IEC/EN 60664-1    |       |       |
| Rating based on      | III III II       |       |       | III III II        |       |       |
| Overvoltage category | III III II       |       |       | III III II        |       |       |
| Pollution degree     | 3                | 2     | 2     | 3                 | 2     | 2     |
| Rated voltage*       | 250 V            | 320 V | 630 V | 250 V             | 320 V | 630 V |
| Rated surge voltage  | 4 kV             | 4 kV  | 4 kV  | 4 kV              | 4 kV  | 4 kV  |
| Nominal current      | 12 A             | 12 A  | 12 A  | 12 A              | 12 A  | 12 A  |
| Approvals per        | UL/CSA           |       |       | UL/CSA            |       |       |
| Use group UL 1059    | B                | C     | D     | B                 | C     | D     |
| Rated voltage*       | 300 V            | -     | 300 V | 300 V             | -     | 300 V |
| Nominal current UL   | 15 A             | -     | 10 A  | 15 A              | -     | 10 A  |
| Nominal current CSA  | 15 A             | -     | 10 A  | 15 A              | -     | 10 A  |

The MCS-MIDI connection system is UL 1977 approved and capable of up to 600 V for factory wiring.

|  |
|--|
|  |
|  |
|  |
|  |
|  |
|  |
|  |

### Material data:

|                               |                                        |
|-------------------------------|----------------------------------------|
| Material group                | I                                      |
| Insulating material           | Nylon 6.6 (PA 6.6)                     |
| Flammability rating per UL 94 | V0                                     |
| Lower/Upper temperature limit | -60°C / +100°C                         |
| Contact material              | Electrolytic copper [E <sub>Cu</sub> ] |
| Contact plating               | tin-plated                             |

### MCS-MIDI accessories:

### Page:

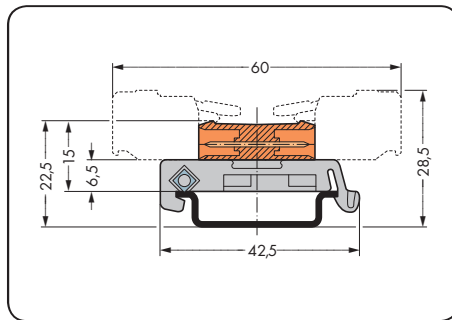
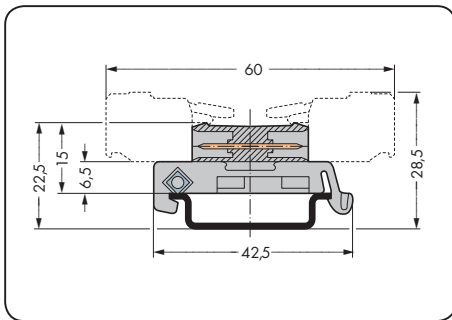
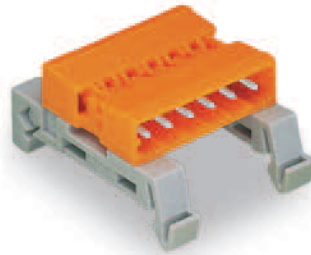
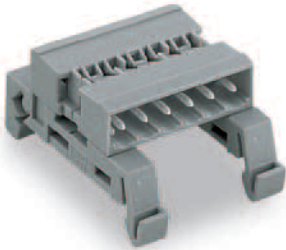
|             |     |
|-------------|-----|
| Separators  | 468 |
| Coding keys | 468 |
| DIN 35 rail | 546 |
|             |     |

MCS - MULTI CONNECTION SYSTEM includes connectors **without** breaking capacity in accordance with IEC 61984. When used as intended, these connectors shall not be connected/disconnected when live or under load. The circuit design should ensure header pins, which can be touched, are not live in unmated condition.

\* **Caution:** Male connectors must not be live when disconnected!

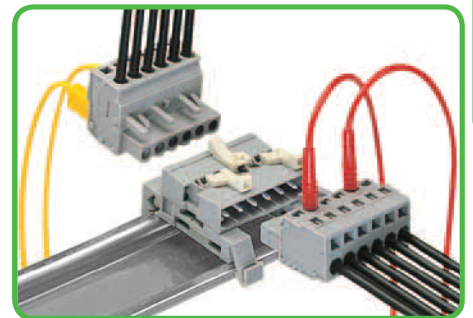
# Double-Pin Male Connectors with Mounting Feet for DIN 35 Rail MCS-MIDI Classic

| Pin spacing 5 mm / 0.197 in |            | Pin spacing 5.08 mm / 0.2 in |            |
|-----------------------------|------------|------------------------------|------------|
| 320 V/4 kV/2 12 A           | 300 V/15 A | 320 V/4 kV/2 12 A            | 300 V/15 A |

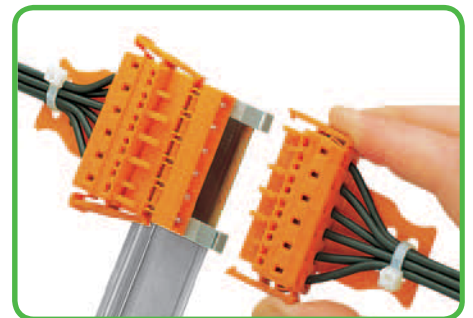


Length = (pole no. - 1) x pin spacing + 8.2 mm

| Pole No.                                                           | Item No.        | Pack. Unit | Pole No.                                                             | Item No.        | Pack. Unit |
|--------------------------------------------------------------------|-----------------|------------|----------------------------------------------------------------------|-----------------|------------|
| Double-pin male connector with mounting feet for DIN 35 rail, gray |                 |            | Double-pin male connector with mounting feet for DIN 35 rail, orange |                 |            |
| 2                                                                  | 232-502/007-000 | 100        | 2                                                                    | 232-532/007-000 | 100        |
| 3                                                                  | 232-503/007-000 | 50         | 3                                                                    | 232-533/007-000 | 50         |
| 4                                                                  | 232-504/007-000 | 50         | 4                                                                    | 232-534/007-000 | 50         |
| 5                                                                  | 232-505/007-000 | 50         | 5                                                                    | 232-535/007-000 | 50         |
| 6                                                                  | 232-506/007-000 | 50         | 6                                                                    | 232-536/007-000 | 50         |
| 7                                                                  | 232-507/007-000 | 25         | 7                                                                    | 232-537/007-000 | 25         |
| 8                                                                  | 232-508/007-000 | 25         | 8                                                                    | 232-538/007-000 | 25         |
| 9                                                                  | 232-509/007-000 | 25         | 9                                                                    | 232-539/007-000 | 25         |
| 10                                                                 | 232-510/007-000 | 25         | 10                                                                   | 232-540/007-000 | 25         |
| 11                                                                 | 232-511/007-000 | 25         | 11                                                                   | 232-541/007-000 | 25         |
| 12                                                                 | 232-512/007-000 | 25         | 12                                                                   | 232-542/007-000 | 25         |
| 13                                                                 | 232-513/007-000 | 25         | 13                                                                   | 232-543/007-000 | 25         |
| 14                                                                 | 232-514/007-000 | 25         | 14                                                                   | 232-544/007-000 | 25         |
| 15                                                                 | 232-515/007-000 | 25         | 15                                                                   | 232-545/007-000 | 25         |
| 16                                                                 | 232-516/007-000 | 25         | 16                                                                   | 232-546/007-000 | 25         |
| 17                                                                 | 232-517/007-000 | 25         | 17                                                                   | 232-547/007-000 | 25         |
| 18                                                                 | 232-518/007-000 | 25         | 18                                                                   | 232-548/007-000 | 25         |
| 19                                                                 | 232-519/007-000 | 25         | 19                                                                   | 232-549/007-000 | 25         |
| 20                                                                 | 232-520/007-000 | 25         | 20                                                                   | 232-550/007-000 | 25         |
| 21                                                                 | 232-521/007-000 | 10         | 21                                                                   | 232-551/007-000 | 10         |
| 22                                                                 | 232-522/007-000 | 10         | 22                                                                   | 232-552/007-000 | 10         |
| 23                                                                 | 232-523/007-000 | 10         | 23                                                                   | 232-553/007-000 | 10         |
| 24                                                                 | 232-524/007-000 | 10         | 24                                                                   | 232-554/007-000 | 10         |



Angled female connector - straight female connector



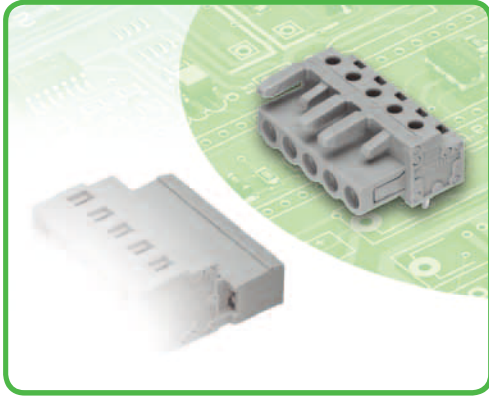
Female connectors with locking levers

# 6 Female Headers with Solder Pins

## Pin Spacing 5 mm

### MCS-MIDI Classic

410



- Horizontal or vertical PCB mounting via straight or angled solder pins
- For “board-to-board” and “board-to-wire” connections
- Touch-proof PCB outputs
- Easy-to-identify PCB inputs and outputs
- With coding fingers

#### Technical data:

| Pin Spacing          | 5 mm / 5.08 mm<br>0.197 in / 0.2 in |       |       |
|----------------------|-------------------------------------|-------|-------|
| Rating based on      | IEC/EN 60664-1                      |       |       |
| Overvoltage category | III                                 | III   | II    |
| Pollution degree     | 3                                   | 2     | 2     |
| Rated voltage        | 320 V                               | 320 V | 630 V |
| Rated surge voltage  | 4 kV                                | 4 kV  | 4 kV  |
| Nominal current      | 12 A                                | 12 A  | 12 A  |
| Approvals per        | UL/CSA                              |       |       |
| Use group UL 1059    | B                                   | C     | D     |
| Rated voltage        | 300 V                               | -     | 300 V |
| Nominal current UL   | 15 A                                | -     | 10 A  |
| Nominal current CSA  | 15 A                                | -     | 10 A  |

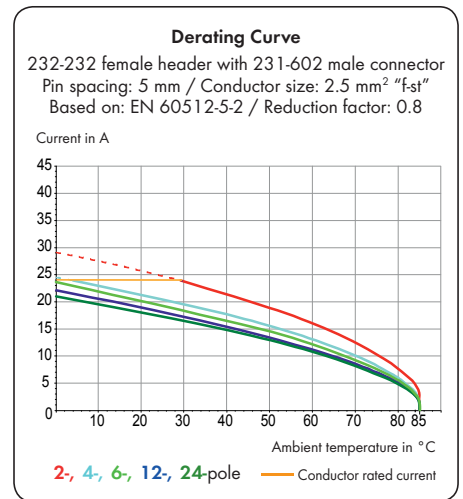
The MCS-MIDI connection system is UL 1977 approved and capable of up to 600 V for factory wiring.

#### Solder pin data:

|                                   |                        |
|-----------------------------------|------------------------|
| Solder pin: length/width          | 5 mm / 0.6 x 1 mm      |
| Solder pin: drilled hole diameter | 1.3 <sup>+0.1</sup> mm |
|                                   |                        |
|                                   |                        |
|                                   |                        |
|                                   |                        |
|                                   |                        |
|                                   |                        |

#### Material data:

|                                                                                                            |                    |
|------------------------------------------------------------------------------------------------------------|--------------------|
| Material group                                                                                             | I                  |
| Insulating material                                                                                        | Nylon 6.6 (PA 6.6) |
| Flammability rating per UL 94                                                                              | V0                 |
| Lower/Upper temperature limit                                                                              | -60°C / +85°C      |
| Contact material                                                                                           | Copper alloy       |
| Contact plating                                                                                            | tin-plated         |
| MCS connectors are also available upon request with gold-plated or partially gold-plated contact surfaces. |                    |
| Depending on the version requested, “item no. suffix ... /010-000” is added to the “basic item no.”        |                    |



#### MCS-MIDI accessories:

#### Page:

|                     |           |
|---------------------|-----------|
| Marking accessories | 540 - 543 |
| Test plug adapter   | 474       |
| Test plugs          | 538       |
| Screws              | 546       |
|                     |           |
|                     |           |

MCS - MULTI CONNECTION SYSTEM includes connectors **without** breaking capacity in accordance with IEC 61984. When used as intended, these connectors shall not be connected/disconnected when live or under load. The circuit design should ensure header pins, which can be touched, are not live in unmated condition.