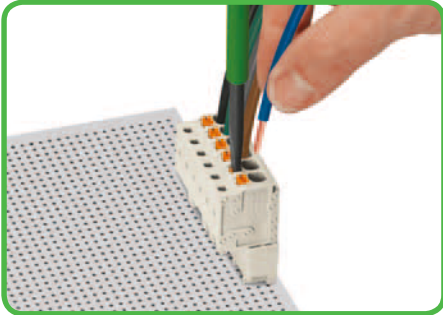
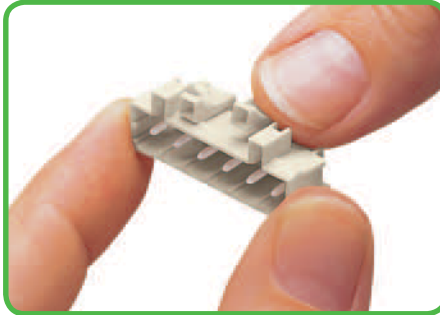


Description and Handling

MCS - MULTI CONNECTION SYSTEM MIDI 100% Protected Against Mismatching



Inserting/removing conductor via 3.5 mm screwdriver - CAGE CLAMP[®]S actuation in mated condition.

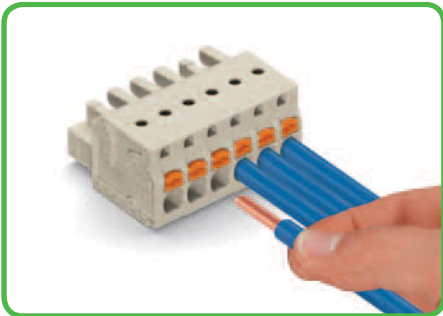


Coding a male header - fitting coding key(s).

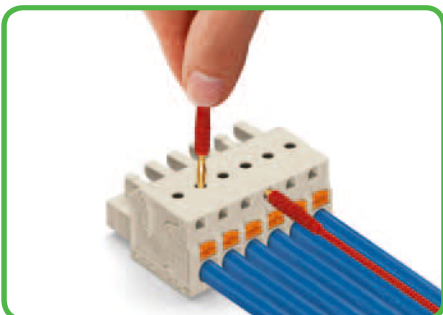


Coding a female connector - removing coding finger(s).

2721 Series Female Connector with Push-Buttons

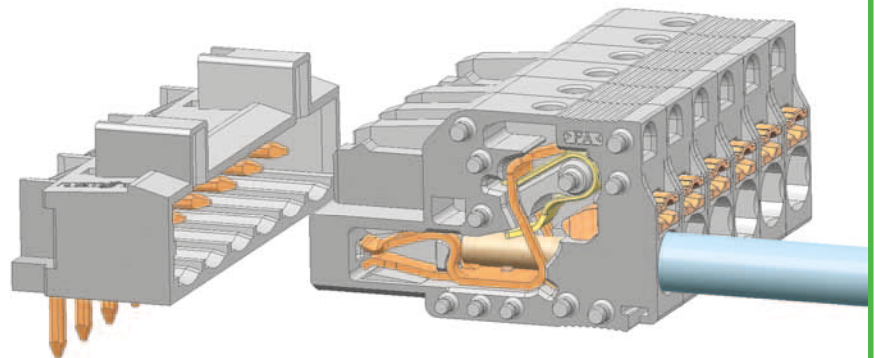


Inserting solid or ferruled conductors via CAGE CLAMP[®]S push-in terminations.



Testing parallel to conductor entry via integrated test ports - female connector with push-button actuated CAGE CLAMP[®]S. Tip contact with current bar from top of unit.

100% protected against mismatching

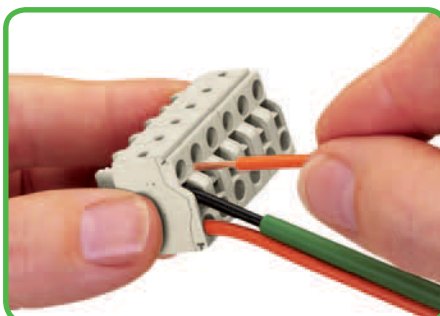


MCS-MIDI

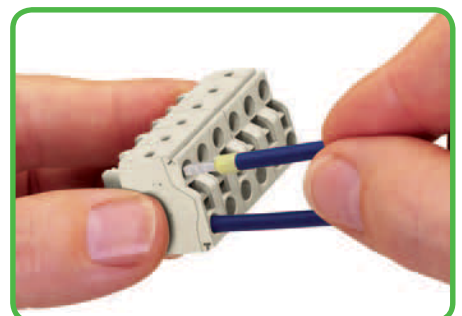
Pin spacing 5 mm and 7.5 mm



Marking via self-adhesive marker strips or factory direct printing.



Inserting conductor via 3.5 mm screwdriver into a 2-conductor female connector equipped with CAGE CLAMP[®]S.



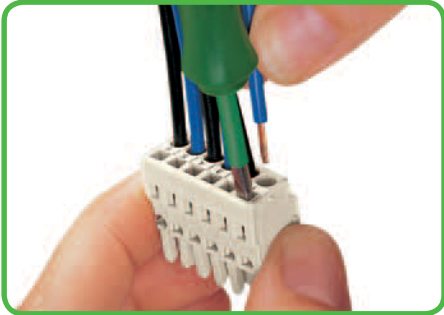
Inserting ferruled, fine-stranded conductors via CAGE CLAMP[®]S push-in terminations.

CAGE CLAMP[®] and CAGE CLAMP[®]S clamp the following copper conductors:^{*}
solid

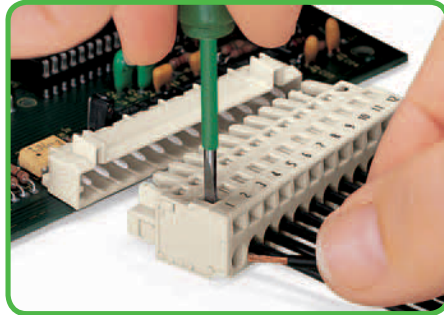
stranded

fine-stranded, also with tinned single strands

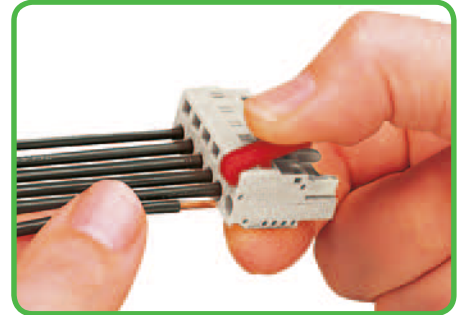
* For aluminum conductors, see notes in Section 11.



Inserting conductor via 3.5 mm screwdriver - horizontal CAGE CLAMP® actuation.



Inserting conductor via 3.5 mm screwdriver - vertical CAGE CLAMP® actuation.

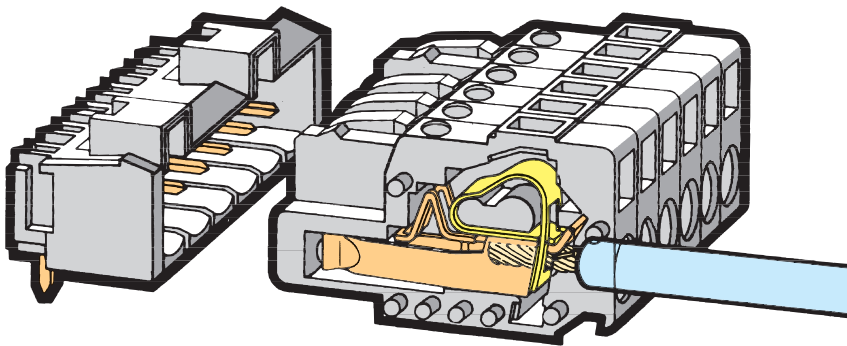


Inserting conductor - CAGE CLAMP® actuation via 231-291 push-buttons.

721, 722 and 723 Series

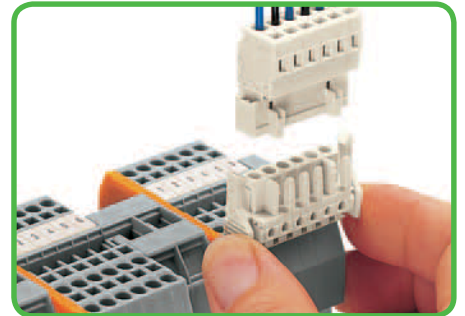
100% protected against mismatching

CAGE CLAMP®

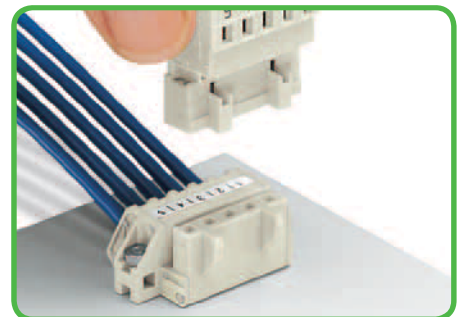


MCS-MIDI

Pin spacing 5 mm and 7.5 mm



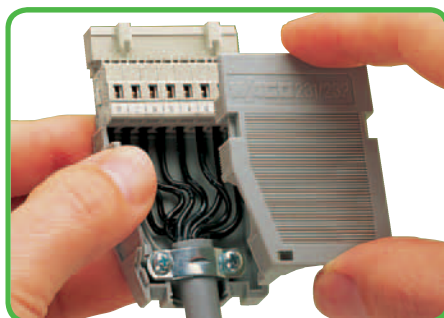
Connectors for 280 Series rail-mounted terminal blocks.



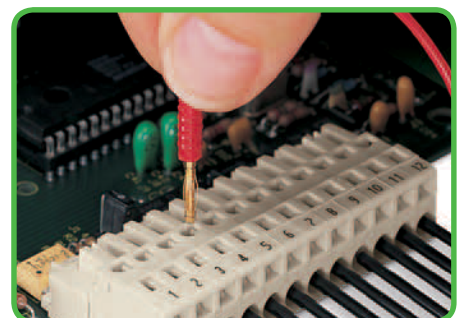
Angled female connector for panel mounting.



Male connector with strain relief plate.



Strain relief housing shown with a male connector equipped with CAGE CLAMP®.



Testing - female connector with CAGE CLAMP®. Vertical insertion of Ø 2 mm and Ø 2.3 mm test plugs.



fine-stranded,
tip-bonded



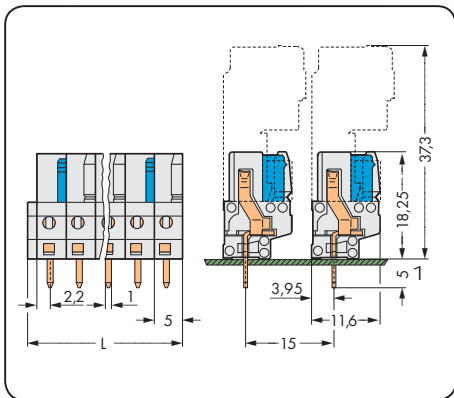
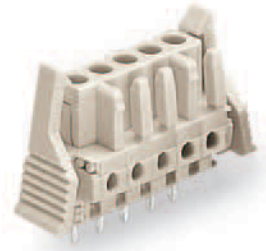
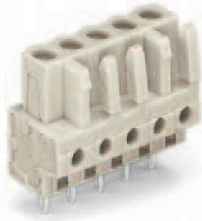
fine-stranded with
crimped ferrules
(gas-tight)



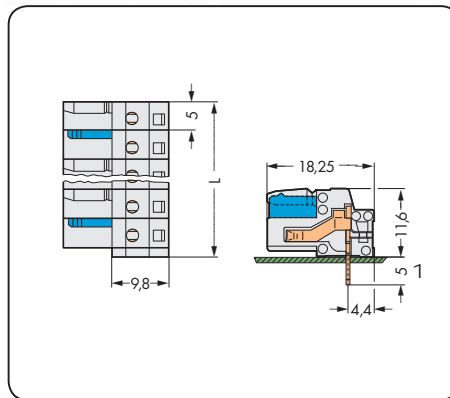
fine-stranded with
crimped pin terminal
(gas-tight)

Female Headers with Solder Pins MCS-MIDI

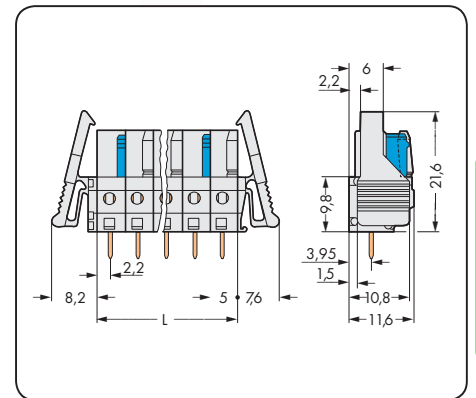
With straight solder pins Pin spacing 5 mm / 0.197 in		With angled solder pins Pin spacing 5 mm / 0.197 in		With straight solder pins and locking levers Pin spacing 5 mm / 0.197 in	
320 V/4 kV/2 12 A	300 V/15 A	320 V/4 kV/2 12 A	300 V/15 A	320 V/4 kV/2 12 A	300 V/15 A



L = (pole no. x pin spacing) + 1.5 mm



L = (pole no. x pin spacing) + 1.5 mm



L = pole no. x pin spacing

Pole No.	Item No.	Pack. Unit	Pole No.	Item No.	Pack. Unit	Pole No.	Item No.	Pack. Unit
Female header with straight solder pins, light gray			Female header with angled solder pins, light gray			Female header with straight solder pins and locking levers, light gray		
2	722-132	100	2	722-232	100	2	722-132/039-000	100
3	722-133	100	3	722-233	100	3	722-133/039-000	50
4	722-134	100	4	722-234	100	4	722-134/039-000	50
5	722-135	100	5	722-235	100	5	722-135/039-000	50
6	722-136	50	6	722-236	50	6	722-136/039-000	50
7	722-137	50	7	722-237	50	7	722-137/039-000	50
8	722-138	50	8	722-238	50	8	722-138/039-000	50
9	722-139	50	9	722-239	50	9	722-139/039-000	25
10	722-140	50	10	722-240	50	10	722-140/039-000	25
11	722-141	25	11	722-241	25	11	722-141/039-000	25
12	722-142	25	12	722-242	25	12	722-142/039-000	25
13	722-143	25	13	722-243	25	13	722-143/039-000	25
14	722-144	25	14	722-244	25	14	722-144/039-000	25
15	722-145	25	15	722-245	25	15	722-145/039-000	25
16	722-146	25	16	722-246	25	16	722-146/039-000	10
20	722-150	10	20	722-250	10	20	722-150/039-000	10
2-pole female headers - one latch only								

1 MCS-MIDI female headers with solder pins are also available with 3.8 mm pin projection. Add or insert item no. suffix .../045-000.