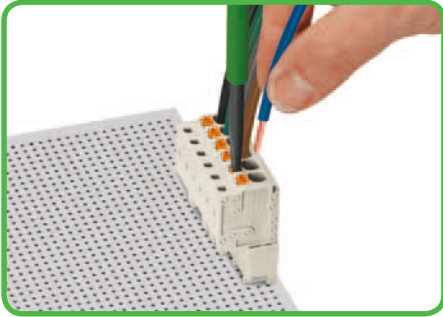
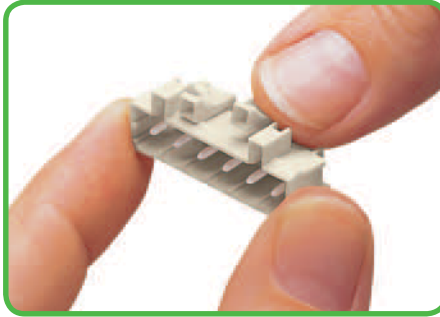


## Description and Handling

# MCS - MULTI CONNECTION SYSTEM MIDI 100% Protected Against Mismatching



Inserting/removing conductor via 3.5 mm screwdriver - CAGE CLAMP<sup>®</sup>S actuation in mated condition.

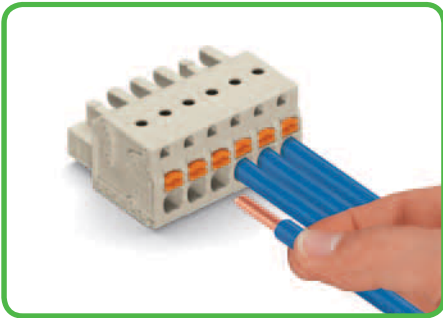


Coding a male header - fitting coding key(s).

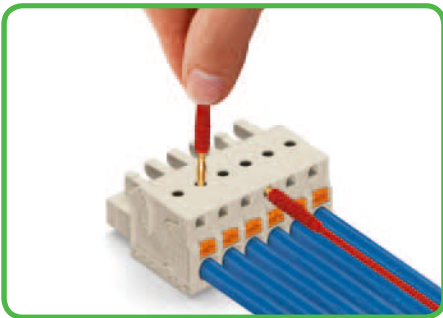


Coding a female connector - removing coding finger(s).

### 2721 Series Female Connector with Push-Buttons

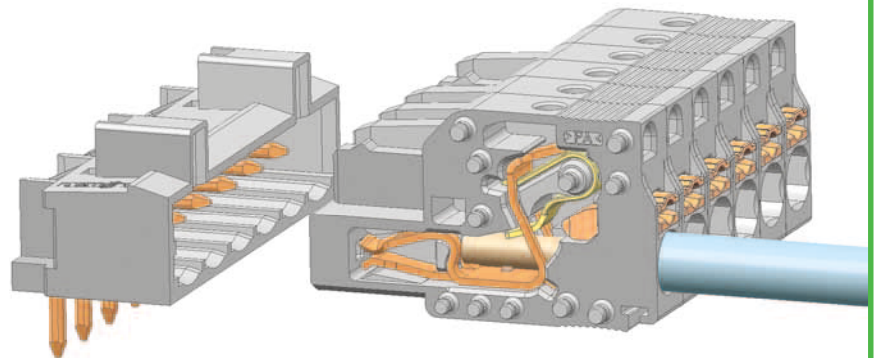


Inserting solid or ferruled conductors via CAGE CLAMP<sup>®</sup>S push-in terminations.



Testing parallel to conductor entry via integrated test ports - female connector with push-button actuated CAGE CLAMP<sup>®</sup>S. Tip contact with current bar from top of unit.

100% protected against mismatching

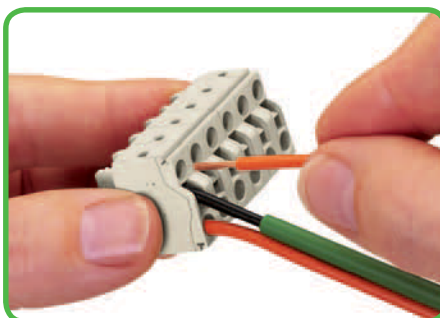


MCS-MIDI

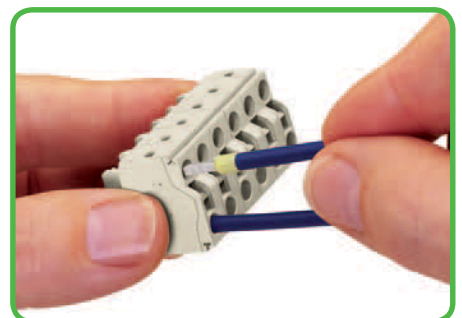
Pin spacing 5 mm and 7.5 mm



Marking via self-adhesive marker strips or factory direct printing.



Inserting conductor via 3.5 mm screwdriver into a 2-conductor female connector equipped with CAGE CLAMP<sup>®</sup>S.



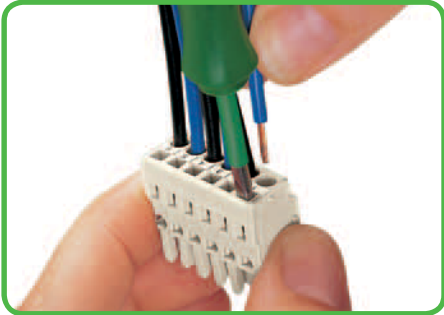
Inserting ferruled, fine-stranded conductors via CAGE CLAMP<sup>®</sup>S push-in terminations.

CAGE CLAMP<sup>®</sup> and CAGE CLAMP<sup>®</sup>S clamp the following copper conductors:<sup>\*</sup>  
solid

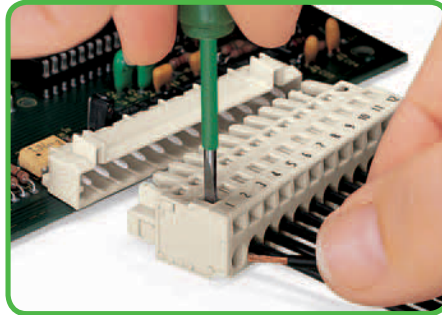
stranded

fine-stranded, also with tinned single strands

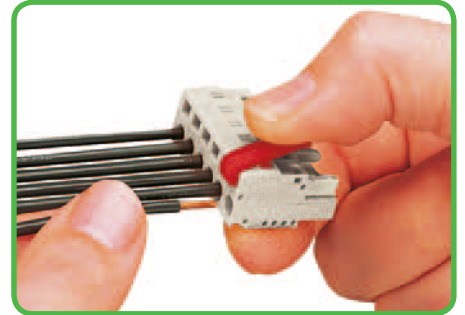
\* For aluminum conductors, see notes in Section 11.



Inserting conductor via 3.5 mm screwdriver - horizontal CAGE CLAMP® actuation.



Inserting conductor via 3.5 mm screwdriver - vertical CAGE CLAMP® actuation.

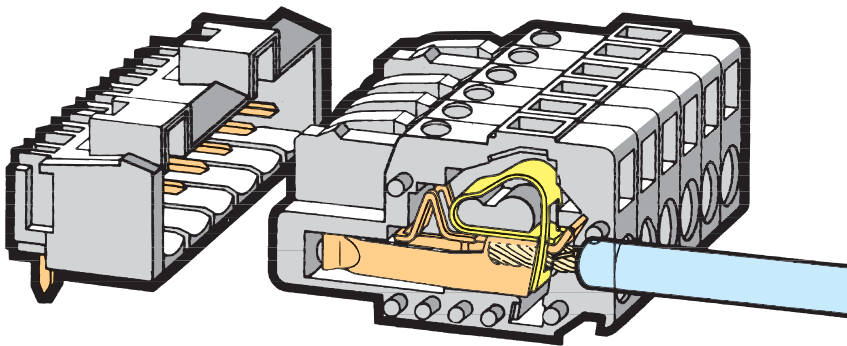


Inserting conductor - CAGE CLAMP® actuation via 231-291 push-buttons.

721, 722 and 723 Series

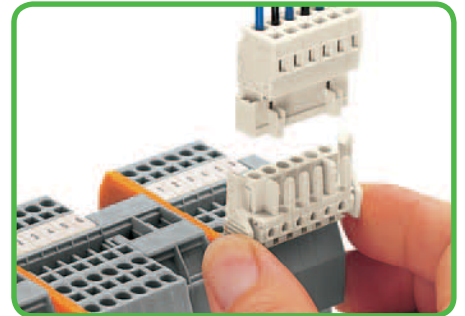
100% protected against mismatching

CAGE CLAMP®

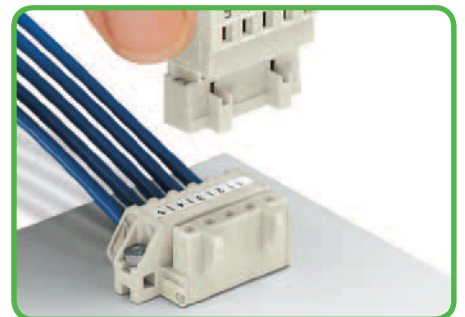


MCS-MIDI

Pin spacing 5 mm and 7.5 mm



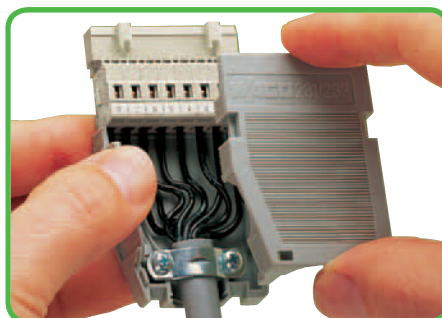
Connectors for 280 Series rail-mounted terminal blocks.



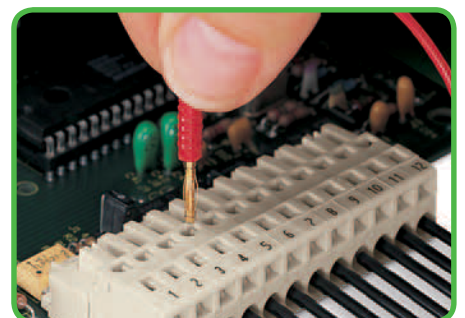
Angled female connector for panel mounting.



Male connector with strain relief plate.



Strain relief housing shown with a male connector equipped with CAGE CLAMP®.



Testing - female connector with CAGE CLAMP®. Vertical insertion of Ø 2 mm and Ø 2.3 mm test plugs.



fine-stranded,  
tip-bonded



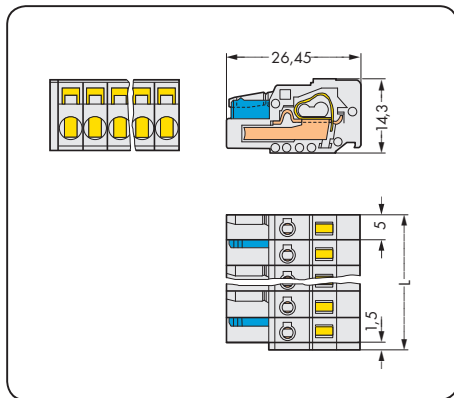
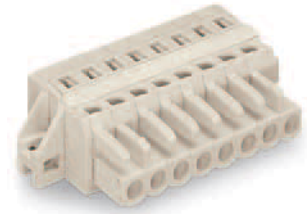
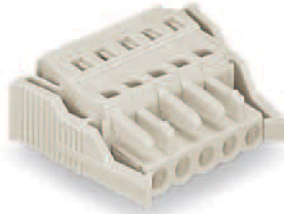
fine-stranded with  
crimped ferrules  
(gas-tight)



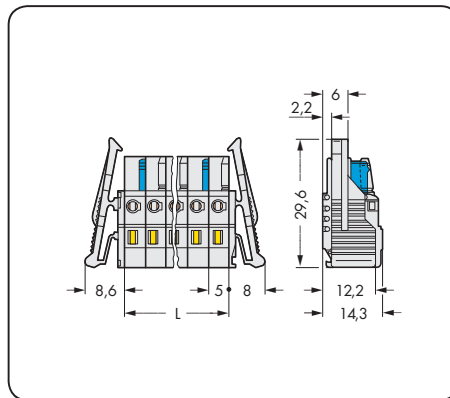
fine-stranded with  
crimped pin terminal  
(gas-tight)

# Female Connectors MCS-MIDI

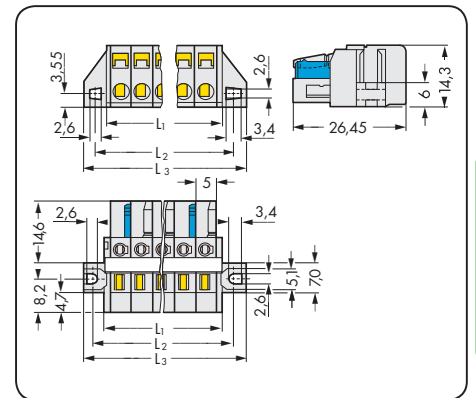
Pin spacing 5 mm / 0.197 in		With locking levers Pin spacing 5 mm / 0.197 in		With fixing flanges, for racks and through-panel mounting Pin spacing 5 mm / 0.197 in	
0.08 - 2.5 mm <sup>2</sup>	AWG 28 - 12	0.08 - 2.5 mm <sup>2</sup>	AWG 28 - 12	0.08 - 2.5 mm <sup>2</sup>	AWG 28 - 12
320 V/4 kV/2 16 A	300 V/15 A	320 V/4 kV/2 16 A	300 V/15 A	320 V/4 kV/2 16 A	300 V/15 A



L = (pole no. x pin spacing) + 1.5 mm



L = pole no. x pin spacing



L<sub>1</sub> = (pole no. x pin spacing) + 3 mm  
L<sub>2</sub> = (pole no. x pin spacing) + 8.8 mm  
L<sub>3</sub> = (pole no. x pin spacing) + 14.8 mm

Pole No.	Item No.	Pack. Unit	Pole No.	Item No.	Pack. Unit	Pole No.	Item No.	Pack. Unit
Female connector, light gray			Female connector with locking levers, light gray			Female connector with fixing flanges, for racks and through-panel mounting, with reinforcing strips, light gray		
2	721-102/026-000	100	2	721-102/037-000	100	2	721-102/031-000	100
3	721-103/026-000	100	3	721-103/037-000	50	3	721-103/031-000	50
4	721-104/026-000	100	4	721-104/037-000	50	4	721-104/031-000	50
5	721-105/026-000	100	5	721-105/037-000	50	5	721-105/031-000	50
6	721-106/026-000	50	6	721-106/037-000	50	6	721-106/027-000	50
7	721-107/026-000	50	7	721-107/037-000	50	7	721-107/027-000	50
8	721-108/026-000	50	8	721-108/037-000	25	8	721-108/027-000	50
9	721-109/026-000	50	9	721-109/037-000	25	9	721-109/027-000	25
10	721-110/026-000	50	10	721-110/037-000	25	10	721-110/027-000	25
11	721-111/026-000	25	11	721-111/037-000	25	11	721-111/027-000	25
12	721-112/026-000	25	12	721-112/037-000	25	12	721-112/027-000	25
13	721-113/026-000	25	13	721-113/037-000	25	13	721-113/027-000	25
14	721-114/026-000	25	14	721-114/037-000	25	14	721-114/027-000	25
15	721-115/026-000	25	15	721-115/037-000	25	15	721-115/027-000	25
16	721-116/026-000	25	16	721-116/037-000	10	16	721-116/027-000	10
20	721-120/026-000	10	20	721-120/037-000	10	20	721-120/027-000	10
2-pole female connectors - one latch only						Item no. for 2- to 5-pole female connectors identical to item no. for panel mounting without reinforcing strips.		
						For cutout dimensions, see page 485, table 1.		