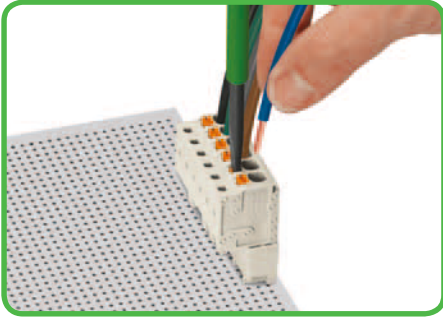
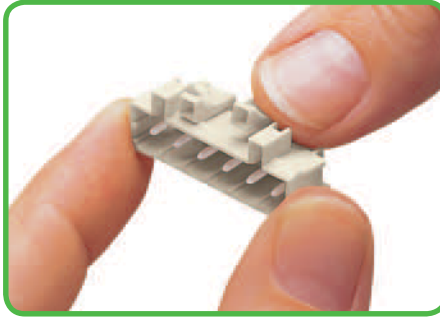


## Description and Handling

# MCS - MULTI CONNECTION SYSTEM MIDI 100% Protected Against Mismatching



Inserting/removing conductor via 3.5 mm screwdriver - CAGE CLAMP<sup>®</sup>S actuation in mated condition.

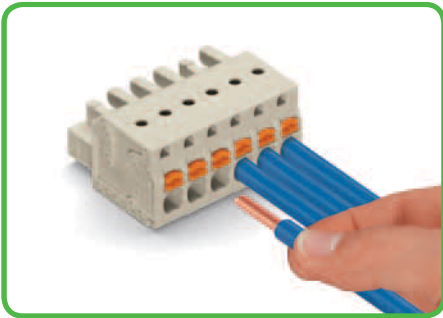


Coding a male header - fitting coding key(s).

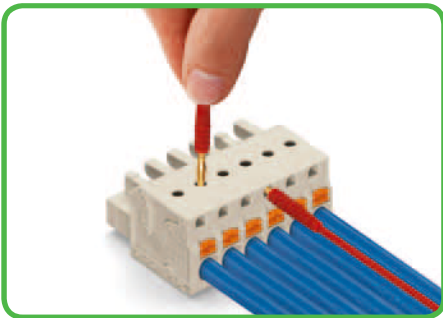


Coding a female connector - removing coding finger(s).

### 2721 Series Female Connector with Push-Buttons

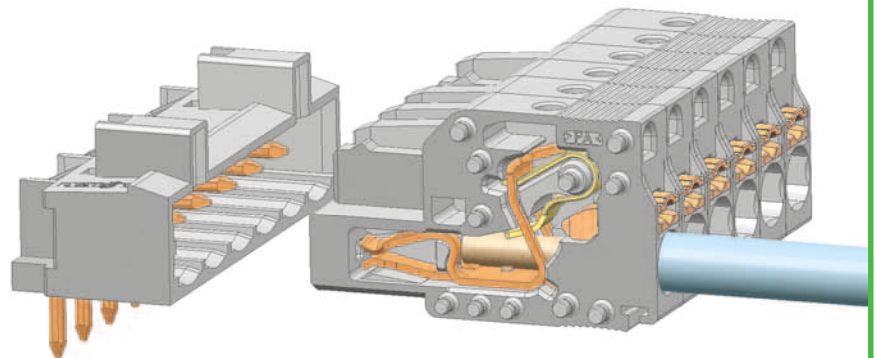


Inserting solid or ferruled conductors via CAGE CLAMP<sup>®</sup>S push-in terminations.



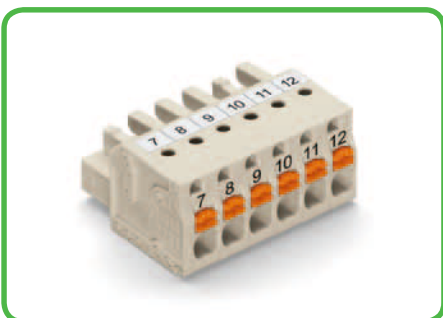
Testing parallel to conductor entry via integrated test ports - female connector with push-button actuated CAGE CLAMP<sup>®</sup>S. Tip contact with current bar from top of unit.

100% protected against mismatching

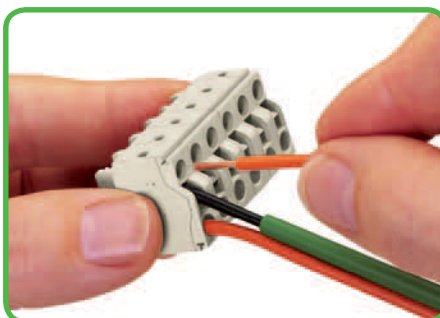


MCS-MIDI

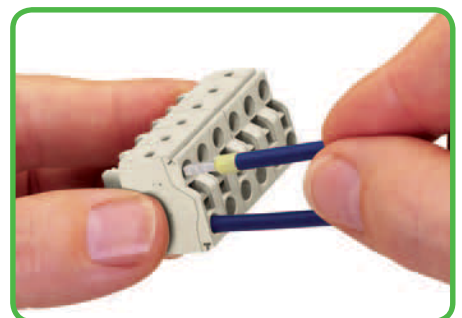
Pin spacing 5 mm and 7.5 mm



Marking via self-adhesive marker strips or factory direct printing.



Inserting conductor via 3.5 mm screwdriver into a 2-conductor female connector equipped with CAGE CLAMP<sup>®</sup>S.



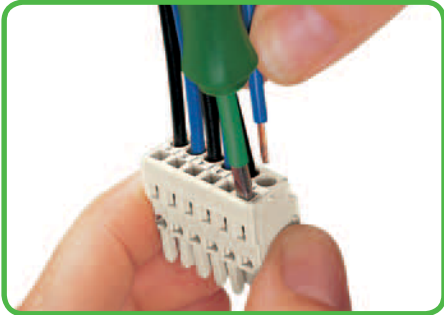
Inserting ferruled, fine-stranded conductors via CAGE CLAMP<sup>®</sup>S push-in terminations.

CAGE CLAMP<sup>®</sup> and CAGE CLAMP<sup>®</sup>S clamp the following copper conductors:<sup>\*</sup>  
solid

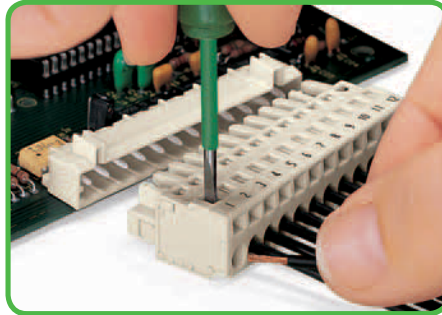
stranded

fine-stranded, also with tinned single strands

\* For aluminum conductors, see notes in Section 11.



Inserting conductor via 3.5 mm screwdriver - horizontal CAGE CLAMP® actuation.



Inserting conductor via 3.5 mm screwdriver - vertical CAGE CLAMP® actuation.

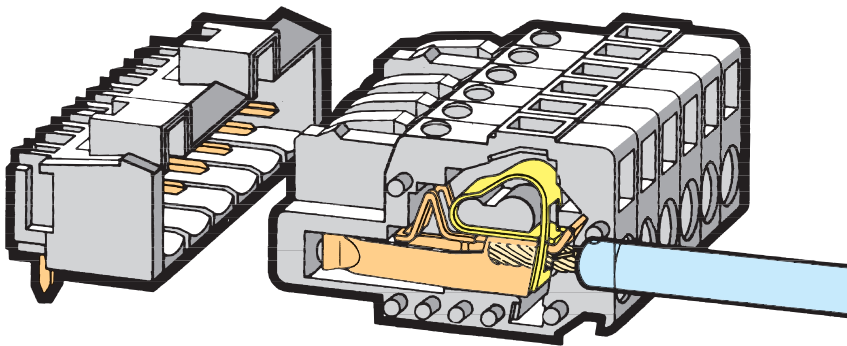


Inserting conductor - CAGE CLAMP® actuation via 231-291 push-buttons.

721, 722 and 723 Series

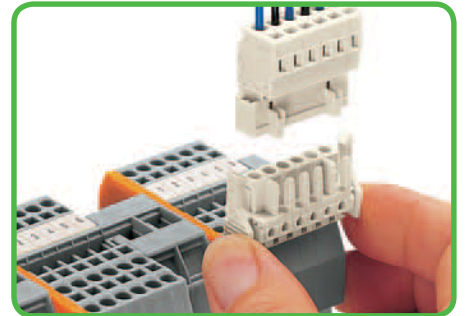
100% protected against mismatching

CAGE CLAMP®

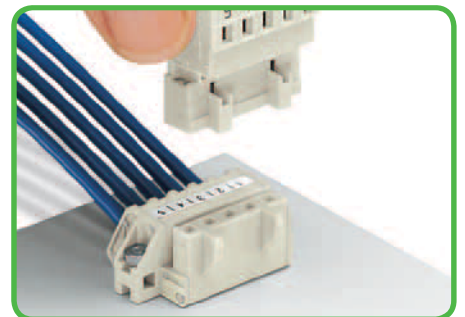


MCS-MIDI

Pin spacing 5 mm and 7.5 mm



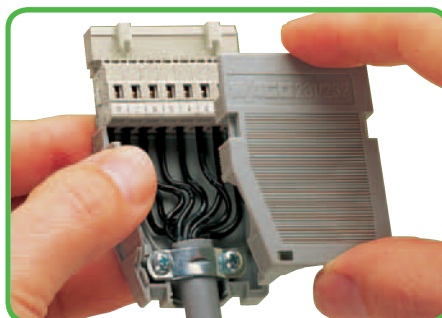
Connectors for 280 Series rail-mounted terminal blocks.



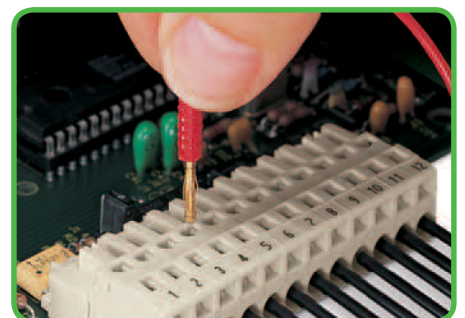
Angled female connector for panel mounting.



Male connector with strain relief plate.



Strain relief housing shown with a male connector equipped with CAGE CLAMP®.



Testing - female connector with CAGE CLAMP®. Vertical insertion of Ø 2 mm and Ø 2.3 mm test plugs.



fine-stranded,  
tip-bonded



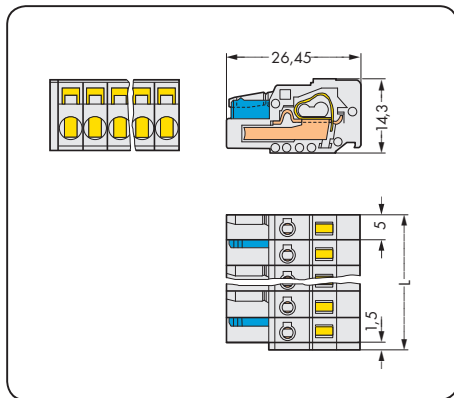
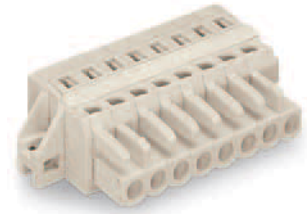
fine-stranded with  
crimped ferrules  
(gas-tight)



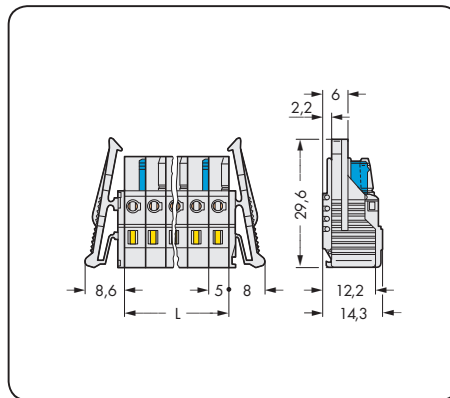
fine-stranded with  
crimped pin terminal  
(gas-tight)

# Female Connectors MCS-MIDI

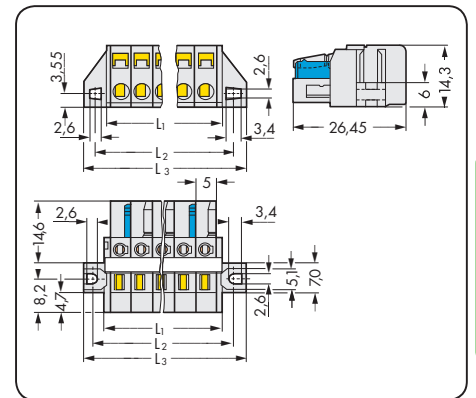
| Pin spacing 5 mm / 0.197 in |             | With locking levers<br>Pin spacing 5 mm / 0.197 in |             | With fixing flanges,<br>for racks and through-panel mounting<br>Pin spacing 5 mm / 0.197 in |             |
|-----------------------------|-------------|--|-------------|---|-------------|
| 0.08 - 2.5 mm <sup>2</sup>  | AWG 28 - 12 | 0.08 - 2.5 mm <sup>2</sup>                         | AWG 28 - 12 | 0.08 - 2.5 mm <sup>2</sup>  | AWG 28 - 12 |
| 320 V/4 kV/2 16 A           | 300 V/15 A  | 320 V/4 kV/2 16 A                                  | 300 V/15 A  | 320 V/4 kV/2 16 A   | 300 V/15 A  |



L = (pole no. x pin spacing) + 1.5 mm



L = pole no. x pin spacing



L<sub>1</sub> = (pole no. x pin spacing) + 3 mm  
L<sub>2</sub> = (pole no. x pin spacing) + 8.8 mm  
L<sub>3</sub> = (pole no. x pin spacing) + 14.8 mm

| Pole No.                                  | Item No.        | Pack. Unit | Pole No.  | Item No.        | Pack. Unit | Pole No.  | Item No.        | Pack. Unit |
|---|-----------------|------------|---|-----------------|------------|---|-----------------|------------|
| Female connector,<br>light gray           |                 |            | Female connector with locking levers,<br>light gray |                 |            | Female connector with fixing flanges,<br>for racks and through-panel mounting,<br>with reinforcing strips, light gray |                 |            |
| 2   | 721-102/026-000 | 100        | 2   | 721-102/037-000 | 100        | 2   | 721-102/031-000 | 100        |
| 3   | 721-103/026-000 | 100        | 3   | 721-103/037-000 | 50         | 3   | 721-103/031-000 | 50         |
| 4   | 721-104/026-000 | 100        | 4   | 721-104/037-000 | 50         | 4   | 721-104/031-000 | 50         |
| 5   | 721-105/026-000 | 100        | 5   | 721-105/037-000 | 50         | 5   | 721-105/031-000 | 50         |
| 6   | 721-106/026-000 | 50         | 6   | 721-106/037-000 | 50         | 6   | 721-106/027-000 | 50         |
| 7   | 721-107/026-000 | 50         | 7   | 721-107/037-000 | 50         | 7   | 721-107/027-000 | 50         |
| 8   | 721-108/026-000 | 50         | 8   | 721-108/037-000 | 25         | 8   | 721-108/027-000 | 50         |
| 9   | 721-109/026-000 | 50         | 9   | 721-109/037-000 | 25         | 9   | 721-109/027-000 | 25         |
| 10  | 721-110/026-000 | 50         | 10  | 721-110/037-000 | 25         | 10  | 721-110/027-000 | 25         |
| 11  | 721-111/026-000 | 25         | 11  | 721-111/037-000 | 25         | 11  | 721-111/027-000 | 25         |
| 12  | 721-112/026-000 | 25         | 12  | 721-112/037-000 | 25         | 12  | 721-112/027-000 | 25         |
| 13  | 721-113/026-000 | 25         | 13  | 721-113/037-000 | 25         | 13  | 721-113/027-000 | 25         |
| 14  | 721-114/026-000 | 25         | 14  | 721-114/037-000 | 25         | 14  | 721-114/027-000 | 25         |
| 15  | 721-115/026-000 | 25         | 15  | 721-115/037-000 | 25         | 15  | 721-115/027-000 | 25         |
| 16  | 721-116/026-000 | 25         | 16  | 721-116/037-000 | 10         | 16  | 721-116/027-000 | 10         |
| 20  | 721-120/026-000 | 10         | 20  | 721-120/037-000 | 10         | 20  | 721-120/027-000 | 10         |
| 2-pole female connectors - one latch only |                 |            |   |                 |            | Item no. for 2- to 5-pole female connectors identical to item no. for panel mounting without reinforcing strips.      |                 |            |
|   |                 |            |   |                 |            | For cutout dimensions, see page 485, table 1.   |                 |            |