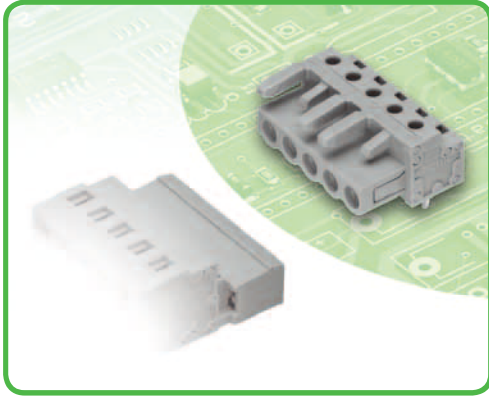


# 6 Female Headers with Solder Pins

## Pin Spacing 5 mm

### MCS-MIDI Classic

410



- Horizontal or vertical PCB mounting via straight or angled solder pins
- For “board-to-board” and “board-to-wire” connections
- Touch-proof PCB outputs
- Easy-to-identify PCB inputs and outputs
- With coding fingers

#### Technical data:

Pin Spacing	5 mm / 5.08 mm 0.197 in / 0.2 in		
Rating based on	IEC/EN 60664-1		
Overvoltage category	III	III	II
Pollution degree	3	2	2
Rated voltage	320 V	320 V	630 V
Rated surge voltage	4 kV	4 kV	4 kV
Nominal current	12 A	12 A	12 A
Approvals per	UL/CSA		
Use group UL 1059	B	C	D
Rated voltage	300 V	-	300 V
Nominal current UL	15 A	-	10 A
Nominal current CSA	15 A	-	10 A

The MCS-MIDI connection system is UL 1977 approved and capable of up to 600 V for factory wiring.

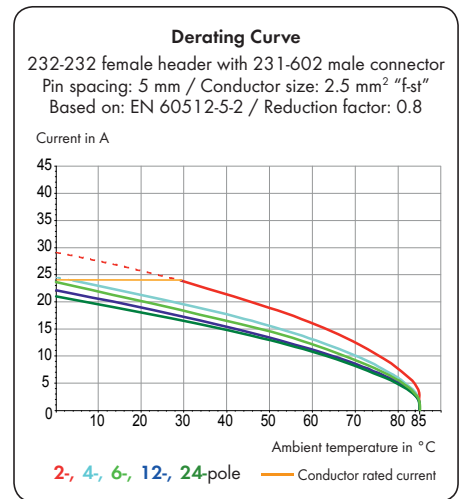
#### Solder pin data:

Solder pin: length/width	5 mm / 0.6 x 1 mm
Solder pin: drilled hole diameter	1.3 <sup>+0.1</sup> mm

#### Material data:

Material group	I
Insulating material	Nylon 6.6 (PA 6.6)
Flammability rating per UL 94	V0
Lower/Upper temperature limit	-60°C / +85°C
Contact material	Copper alloy
Contact plating	tin-plated
MCS connectors are also available upon request with gold-plated or partially gold-plated contact surfaces.	
Depending on the version requested, “item no. suffix ... /010-000” is added to the “basic item no.”	

MCS - MULTI CONNECTION SYSTEM includes connectors **without** breaking capacity in accordance with IEC 61984. When used as intended, these connectors shall not be connected/disconnected when live or under load. The circuit design should ensure header pins, which can be touched, are not live in unmated condition.



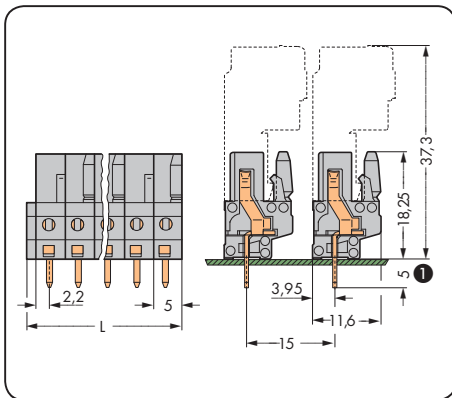
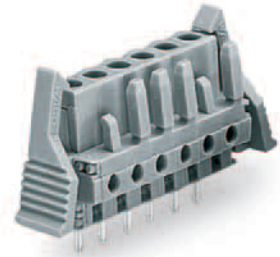
#### MCS-MIDI accessories:

#### Page:

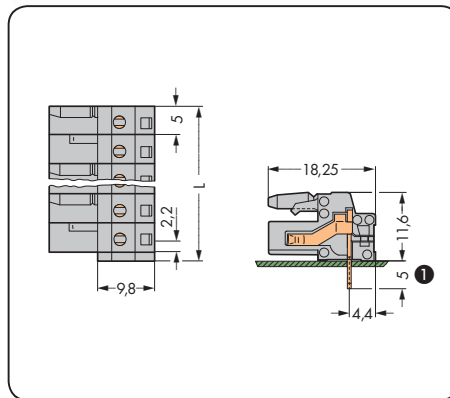
Marking accessories	540 - 543
Test plug adapter	474
Test plugs	538
Screws	546

# Female Headers with Solder Pins MCS-MIDI Classic

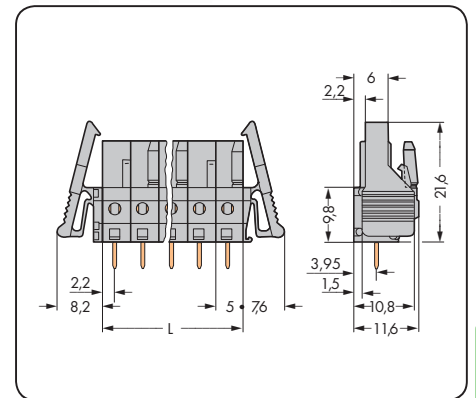
With straight solder pins Pin spacing 5 mm / 0.197 in		With angled solder pins Pin spacing 5 mm / 0.197 in		With straight solder pins and locking levers Pin spacing 5 mm / 0.197 in	
320 V/4 kV/2 12 A	300 V/15 A	320 V/4 kV/2 12 A	300 V/15 A	320 V/4 kV/2 12 A	300 V/15 A



L = (pole no. x pin spacing) + 1.5 mm



L = (pole no. x pin spacing) + 1.5 mm  
Distance to first solder pin: 2.2 mm



L = pole no. x pin spacing

Pole No.	Item No.	Pack. Unit	Pole No.	Item No.	Pack. Unit	Pole No.	Item No.	Pack. Unit
Female header with straight solder pins, gray			Female header with angled solder pins, gray			Female header with straight solder pins and locking levers, gray		
2	232-132	100	2	232-232	100	2	232-132/039-000	100
3	232-133	100	3	232-233	100	3	232-133/039-000	50
4	232-134	100	4	232-234	100	4	232-134/039-000	50
5	232-135	100	5	232-235	100	5	232-135/039-000	50
6	232-136	50	6	232-236	50	6	232-136/039-000	50
7	232-137	50	7	232-237	50	7	232-137/039-000	50
8	232-138	50	8	232-238	50	8	232-138/039-000	50
9	232-139	50	9	232-238	50	9	232-139/039-000	25
10	232-140	50	10	232-240	50	10	232-140/039-000	25
11	232-141	25	11	232-241	25	11	232-141/039-000	25
12	232-142	25	12	232-242	25	12	232-142/039-000	25
13	233-143	25	13	232-243	25	13	232-143/039-000	25
14	232-144	25	14	232-244	25	14	232-144/039-000	25
15	232-145	25	15	232-245	25	15	232-145/039-000	25
16	232-146	25	16	232-246	25	16	232-146/039-000	10
17	232-147	25	17	232-247	25	17	232-147/039-000	10
18	232-148	25	18	232-248	25	18	232-148/039-000	10
19	232-149	10	19	232-249	10	19	232-149/039-000	10
20	232-150	10	20	232-250	10	20	232-150/039-000	10
21	232-151	10	21	232-251	10	21	232-151/039-000	10
22	232-152	10	22	232-252	10	22	232-152/039-000	10
23	232-153	10	23	232-253	10	23	232-153/039-000	10
24	232-154	10	24	232-254	10	24	232-154/039-000	10

2- to 3-pole female headers - one latch only

① MCS-MIDI female headers with solder pins are also available with 3.8 mm pin projection. Add or insert item no. suffix .../045-000.