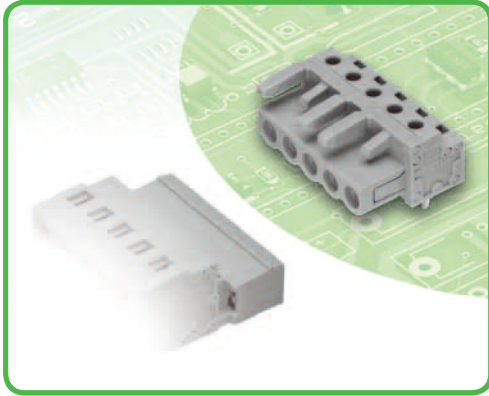


6 Female Headers with Solder Pins

Pin Spacing 5 mm

MCS-MIDI Classic

410



- Horizontal or vertical PCB mounting via straight or angled solder pins
- For “board-to-board” and “board-to-wire” connections
- Touch-proof PCB outputs
- Easy-to-identify PCB inputs and outputs
- With coding fingers

Technical data:

Pin Spacing	5 mm / 5.08 mm 0.197 in / 0.2 in		
Rating based on	IEC/EN 60664-1		
Overvoltage category	III	III	II
Pollution degree	3	2	2
Rated voltage	320 V	320 V	630 V
Rated surge voltage	4 kV	4 kV	4 kV
Nominal current	12 A	12 A	12 A
Approvals per	UL/CSA		
Use group UL 1059	B	C	D
Rated voltage	300 V	-	300 V
Nominal current UL	15 A	-	10 A
Nominal current CSA	15 A	-	10 A

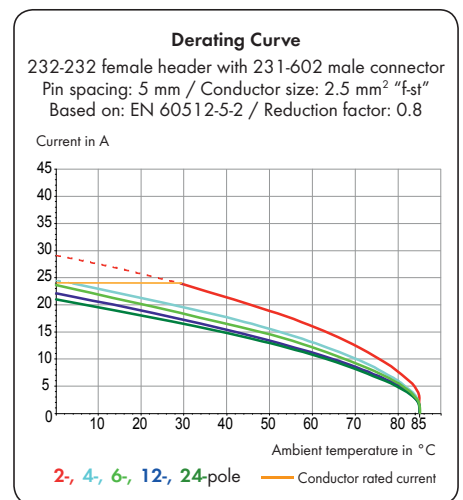
The MCS-MIDI connection system is UL 1977 approved and capable of up to 600 V for factory wiring.

Solder pin data:

Solder pin: length/width	5 mm / 0.6 x 1 mm
Solder pin: drilled hole diameter	1.3 ^{+0.1} mm

Material data:

Material group	I
Insulating material	Nylon 6.6 (PA 6.6)
Flammability rating per UL 94	V0
Lower/Upper temperature limit	-60°C / +85°C
Contact material	Copper alloy
Contact plating	tin-plated
MCS connectors are also available upon request with gold-plated or partially gold-plated contact surfaces.	
Depending on the version requested, “item no. suffix ... /010-000” is added to the “basic item no.”	



MCS-MIDI accessories:

Page:

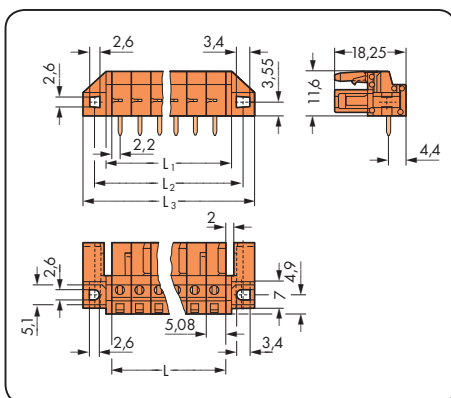
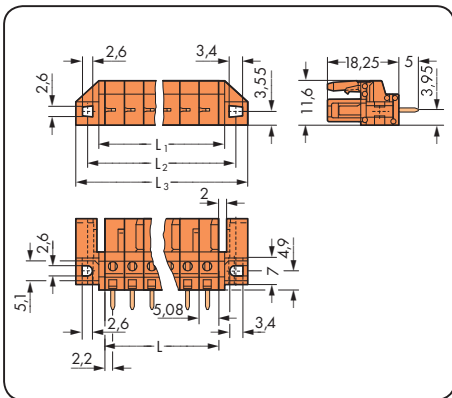
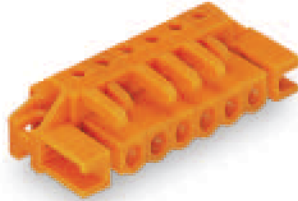
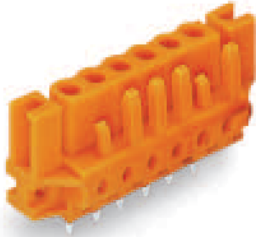
Marking accessories	540 - 543
Test plug adapter	474
Test plugs	538
Screws	546

MCS - MULTI CONNECTION SYSTEM includes connectors **without** breaking capacity in accordance with IEC 61984. When used as intended, these connectors shall not be connected/disconnected when live or under load. The circuit design should ensure header pins, which can be touched, are not live in unmated condition.

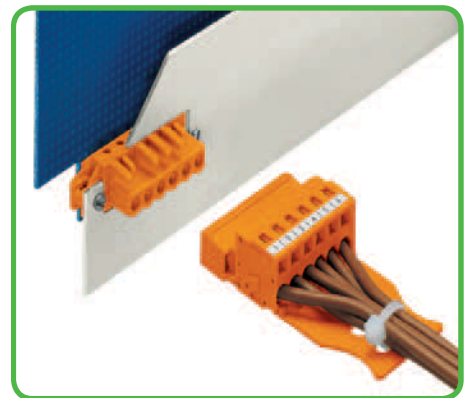
6 Female Headers with Solder Pins MCS-MIDI Classic

416

With straight solder pins and spacers Pin spacing 5.08 mm / 0.2 in		With angled solder pins and spacers Pin spacing 5.08 mm / 0.2 in	
320 V/4 kV/2 12 A	300 V/15 A	320 V/4 kV/2 12 A	300 V/15 A



L = pole no. x pin spacing
 $L_1 = L + 3 \text{ mm}$
 $L_2 = L + 8.8 \text{ mm}$
 $L_3 = L + 14.8 \text{ mm}$

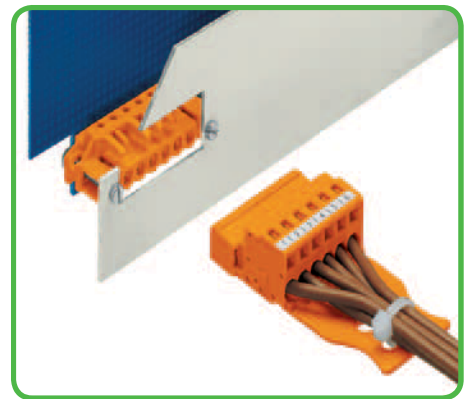


Depending on the application and type of flange, female headers are now suitable for through-panel mounting ...

Pole No.	Item No.	Pack. Unit	Pole No.	Item No.	Pack. Unit
Female header with straight solder pins and spacers, for flush mounting, orange			Female header with angled solder pins and spacers, for flush mounting, orange		
2	232-162/047-000	100	2	232-262/047-000	100
3	232-163/047-000	50	3	232-263/047-000	50
4	232-164/047-000	50	4	232-264/047-000	50
5	232-165/047-000	50	5	232-265/047-000	50
6	232-166/047-000	50	6	232-266/047-000	50
7	232-167/047-000	50	7	232-267/047-000	50
8	232-168/047-000	50	8	232-268/047-000	50
9	232-169/047-000	25	9	232-269/047-000	25
10	232-170/047-000	25	10	232-270/047-000	25
11	232-171/047-000	25	11	232-271/047-000	25
12	232-172/047-000	25	12	232-272/047-000	25
13	232-173/047-000	25	13	232-273/047-000	25
14	232-174/047-000	25	14	232-274/047-000	25
15	232-175/047-000	25	15	232-275/047-000	25
16	232-176/047-000	10	16	232-276/047-000	10
17	232-177/047-000	10	17	232-277/047-000	10
18	232-178/047-000	10	18	232-278/047-000	10
19	232-179/047-000	10	19	232-279/047-000	10
20	232-180/047-000	10	20	232-280/047-000	10
21	232-181/047-000	10	21	232-281/047-000	10
22	232-182/047-000	10	22	232-282/047-000	10
23	232-183/047-000	10	23	232-283/047-000	10
24	232-184/047-000	10	24	232-284/047-000	10

For cutout dimensions, see page 486, table 3.

2- to 3-pole female headers - one latch only



... or flush mounting.