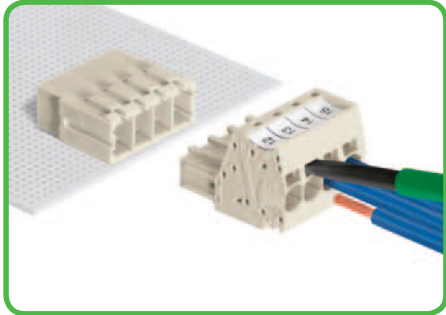
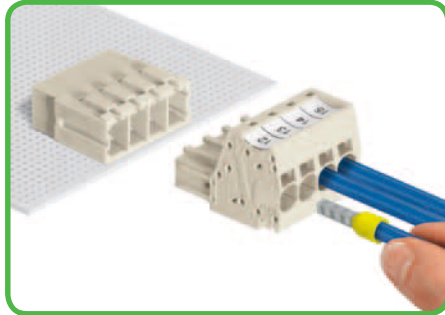


Description and Handling

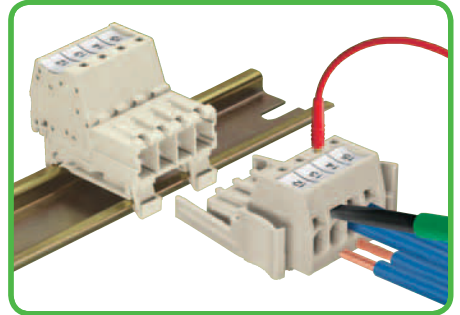
MCS - MULTI CONNECTION SYSTEM MAXI



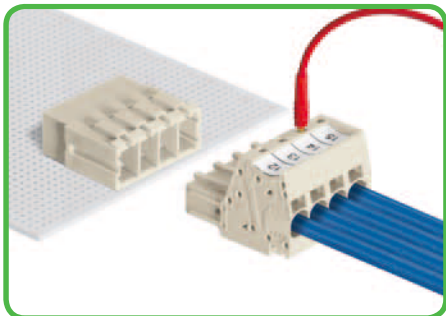
Inserting fine-stranded conductors via 5.5 x 0.8 mm screwdriver.



Inserting solid and ferruled conductors via push-in termination - no operating tool needed.



Male connector with CAGE CLAMP®S mounted on DIN 35-rail.



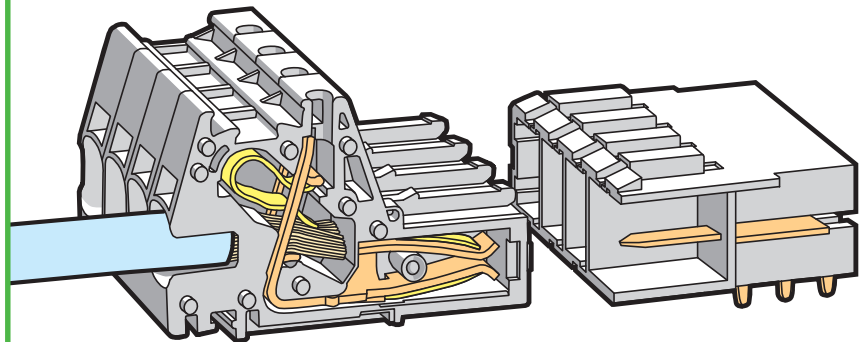
Testing with Ø 2 mm test plug.



Break or cut off coding pin from female connector . . .

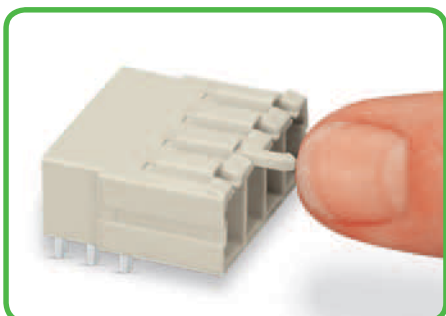
831 Series

100% protected against mismatching



MCS-MAXI

Pin spacing 7.62 mm



. . . Insert coding pin into male header (break first) until it engages.



Marking via WMB or miniature WSB marker strips.



Marking via factory direct printing.

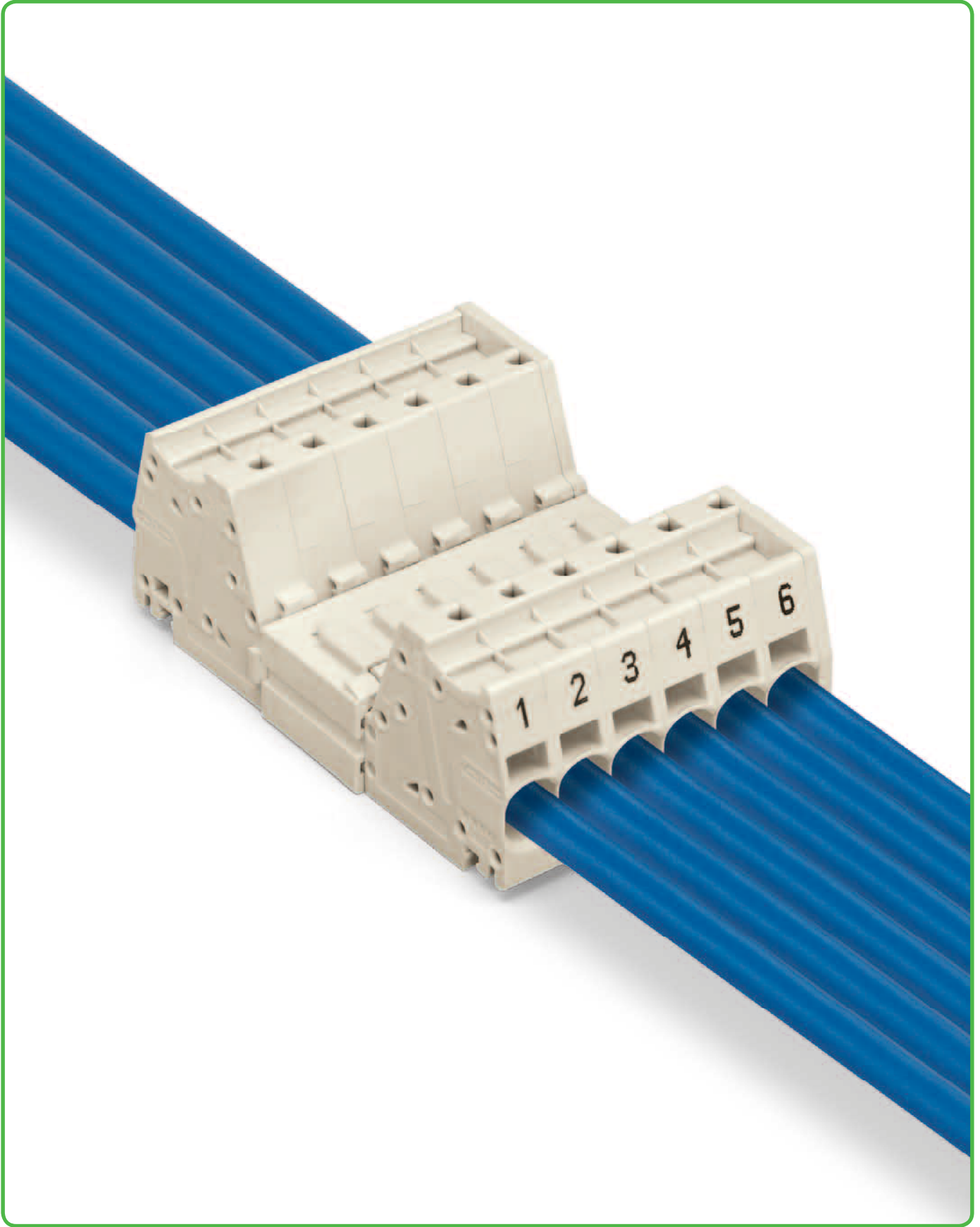
CAGE CLAMP®S clamps the following copper conductors:*

solid

stranded

fine-stranded, also with tinned single strands

* For aluminum conductors, see notes in Section 11.



fine-stranded,
tip-bonded



fine-stranded with
crimped ferrules
(gas-tight)

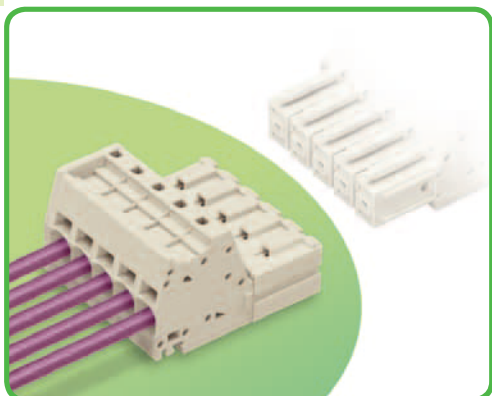


fine-stranded with
crimped pin terminal
(gas-tight)

Male Connectors

Pin spacing 7.62 mm

MCS-MAXI



- Universal connection for all conductor types
- Simple, push-in terminations of solid and ferruled conductors
- Integrated test ports for \varnothing 2 mm test plugs
- 600 V to UL 1059
- 100% protected against mismatching
- Coding option available

Technical data:

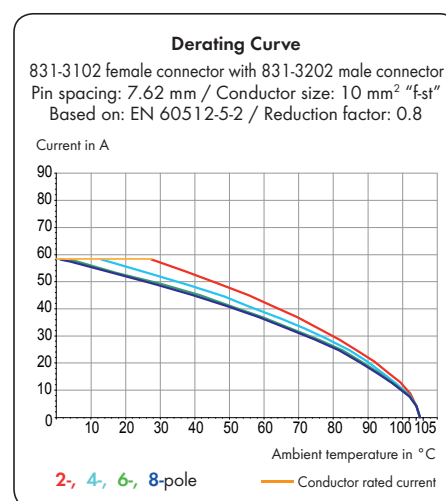
Pin Spacing	7.62 mm 0.3 in		
Rating per	IEC/EN 60664-1		
Overtoltage category	III	III	II
Pollution degree	3	2	2
Rated voltage	800 V	1000 V	1000 V
Rated surge voltage	8 kV	8 kV	8 kV
Nominal current	41 A	41 A	41 A
Approvals per	UL/CSA		
Use group UL 1059	B	C	D
Rated voltage	-	600 V	-
Nominal current UL	-	42 A	-
Nominal current CSA	-	50 A	-

Conductor data:

Connection technology	CAGE CLAMP®S
Conductor size: solid	0.5 - 10 mm ²
Conductor size: fine-stranded	0.5 - 10 mm ²
Conductor size: fine-stranded	0.5 - 6.0 mm ² (with insulated ferrule)
Conductor size: fine-stranded	0.5 - 6.0 mm ² (with uninsulated ferrule)
AWG	20 - 8
Strip length	13 - 15 mm / 0.52 - 0.58 in

Material data:

Material group	I
Insulating material	Nylon 6.6 (PA 6.6)
Flammability rating per UL 94	V0
Lower/Upper temperature limit	-60°C / +105°C
Clamping spring material	Chrome-nickel spring steel (CrNi)
Contact material	Electrolytic copper (E _{cu})
Contact plating	tin-plated



MCS-MAXI accessories:

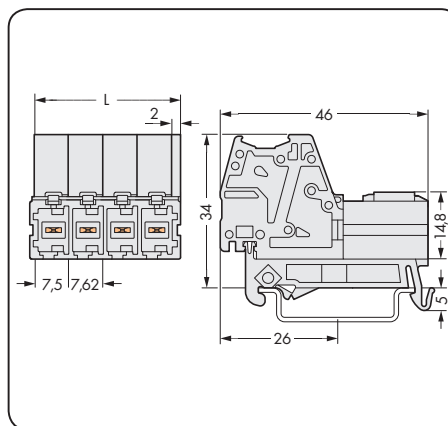
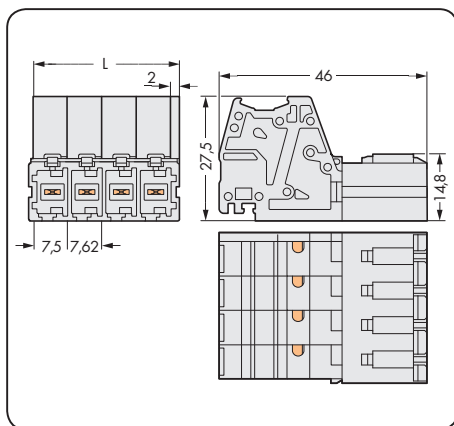
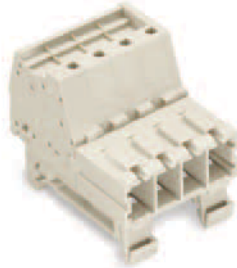
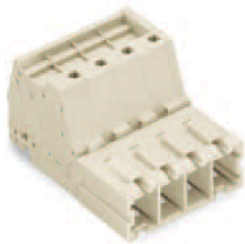
Page:

Marking accessories	540 - 543
Operating tool	526 - 528
Direct marking	497
Test plug, \varnothing 2 mm	538

MCS - MULTI CONNECTION SYSTEM includes connectors **without** breaking capacity in accordance with IEC 61984. When used as intended, these connectors shall not be connected/disconnected when live or under load. The circuit design should ensure male connector pins, which can be touched, are not live in unmated condition.

Male Connectors MCS-MAXI

Pin spacing 7.62 mm / 0.3 in 0.5 - 10 mm ² AWG 20 - 8 1000 V/ 8 kV/2 41 A 600 V/42 A		With integrated adapter for DIN 35-rail mounting Pin spacing 7.62 mm / 0.3 in 0.5 - 10 mm ² AWG 20 - 8 1000 V/ 8 kV/2 41 A 600 V/42 A		Pole marking 1 - pole no. of male connectors for conductor termination
--	--	---	--	---



$L = (\text{pole no.} - 1) \times \text{pin spacing} + 9.5 \text{ mm}$

Pole Marking Perpendicular to Conductor Entry

MCS-MAXI male connectors can be marked via miniature WSB or WMB markers (Section 10), or via marker strips. Other custom marking options are available upon request.

Pole No.	Item No.	Pack. Unit
Marker strips, pole no. - 1		
2	2009-110/762-852	50
3	2009-110/762-853	50
4	2009-110/762-854	50
5	2009-110/762-855	50
6	2009-110/762-856	50
7	2009-110/762-857	50
8	2009-110/762-858	50

Pole No.	Item No.	Pack. Unit	Pole No.	Item No.	Pack. Unit
Male connector, light gray			Male connector with integrated adapter for DIN 35-rail mounting, light gray		
2	831-3202	48	2	831-3202/007-000	48
3	831-3203	48	3	831-3203/007-000	48
4	831-3204	24	4	831-3204/007-000	24
5	831-3205	24	5	831-3205/007-000	24
6	831-3206	24	6	831-3206/007-000	24
7	831-3207	12	7	831-3207/007-000	12
8	831-3208	12	8	831-3208/007-000	12
9	831-3109	12	9	831-3609/007-000	12

Product Accessories	Item No.	Pack. Unit
Mounting adapter for DIN 35-rail		
	831-137	48

Marking Parallel to Conductor Entry Item No. Suffix: /... - 9034

Ordering examples:

Male connector,
7.62 mm pin spacing, 6-pole, light gray
831-3206/000-9034

Male connector for DIN 35-rail mounting,
7.62 mm pin spacing, 6-pole, light gray
831-3206/007-9034-9034

