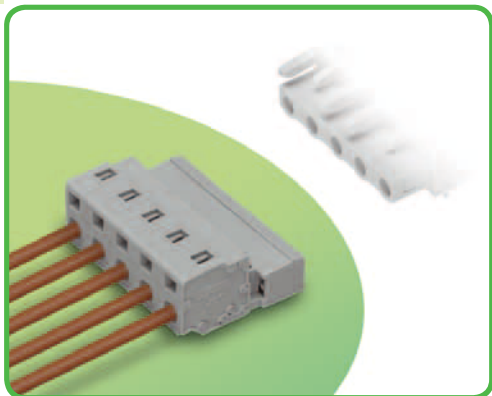


Male Connectors Pin Spacing 7.5 mm, 7.62 mm MCS-MIDI Classic



- Universal connection for all conductor types
- Easy cable pre-assembly and on-unit wiring via vertical and horizontal CAGE CLAMP® actuation
- For “wire-to-wire” and “wire-to-board” connections
- Versions available with snap-in mounting feet or fixing flanges for panel or through-panel mounting
- With coding keys

Technical data:

Pin Spacing	7.5 mm 0.295 in			7.62 mm 0.3 in		
	IEC/EN 60664-1			IEC/EN 60664-1		
Rating per	III	III	II	III	III	II
Overvoltage category	III	III	II	III	III	II
Pollution degree	3	2	2	3	2	2
Rated voltage	500 V	630 V	1000 V	500 V	630 V	1000 V
Rated surge voltage	6 kV	6 kV	6 kV	6 kV	6 kV	6 kV
Nominal current	12 A	12 A	12 A	12 A	12 A	12 A
Approvals per	UL/CSA			UL/CSA		
Use group UL 1059	B	C	D	B	C	D
Rated voltage	300 V	-	300 V	300 V	-	300 V
Nominal current UL	15 A	-	10 A	15 A	-	10 A
Nominal current CSA	15 A	-	10 A	15 A	-	10 A

The MCS-MIDI connection system is UL 1977 approved and capable of up to 600 V for factory wiring.

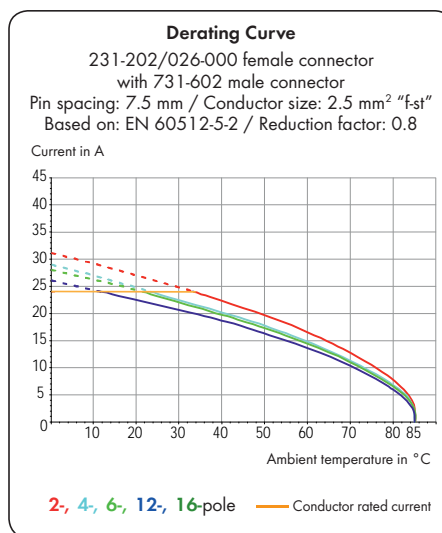
Conductor data:

Connection technology	CAGE CLAMP®	
Conductor size: solid	0.08 - 2.5 mm ²	
Conductor size: fine-stranded	0.08 - 2.5 mm ²	
Conductor size: fine-stranded	0.25 - 1.5 mm ² (with insulated ferrule)	
Conductor size: fine-stranded	0.25 - 2.5 mm ² (with uninsulated ferrule)	
AWG	28 - 12	12: THHN, THWN
Strip length	8 - 9 mm / 0.31 - 0.35 in	

Material data:

Material group	I
Insulating material	Nylon 6.6 (PA 6.6)
Flammability rating per UL 94	V0
Lower/Upper temperature limit	-60°C / +100°C
Clamping spring material	Chrome-nickel spring steel (CrNi)
Contact material	Electrolytic copper (E _{cu})
Contact plating	tin-plated
MCS connectors are also available upon request with gold-plated or partially gold-plated contact surfaces.	
Depending on the version requested, “item no. suffix . . . /010-000” is added to the “basic item no.”	

MCS - MULTI CONNECTION SYSTEM includes connectors **without** breaking capacity in accordance with IEC 61984. When used as intended, these connectors shall not be connected/disconnected when live or under load. The circuit design should ensure header pins, which can be touched, are not live in unmated condition.

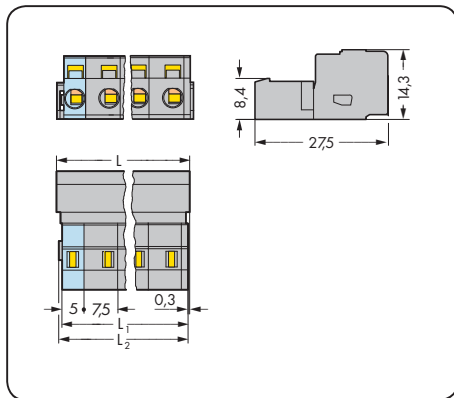
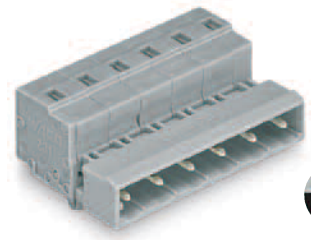
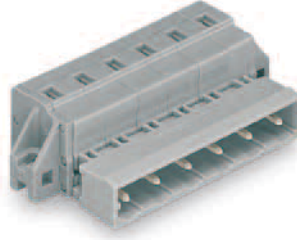
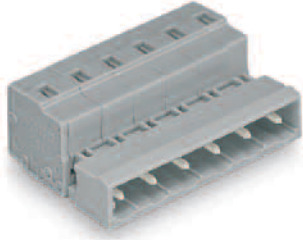


MCS-MIDI accessories:

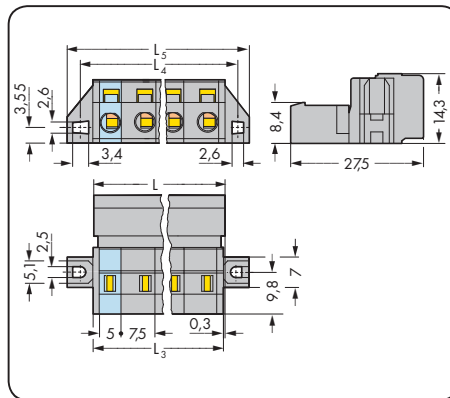
Page:

Marking accessories	540 - 543
Operating tools	466 - 467
Separators	468
Direct marking	358 - 360
Insulation stop	469
Coding keys	468
Screws	546

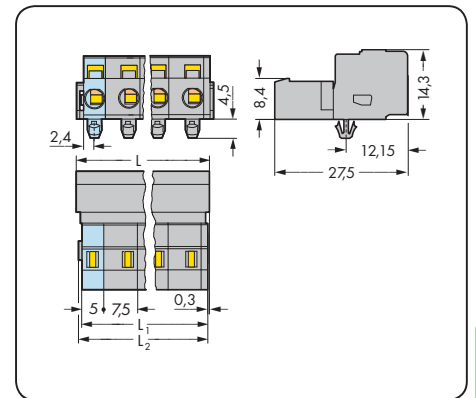
Pin spacing 7.5 mm / 0.295 in		With fixing flanges Pin spacing 7.5 mm / 0.295 in		With snap-in mounting feet Pin spacing 7.5 mm / 0.295 in	
0.08 - 2.5 mm ²	AWG 28 - 12	0.08 - 2.5 mm ²	AWG 28 - 12	0.08 - 2.5 mm ²	AWG 28 - 12
630 V/6 kV/2 12 A	300 V/15 A	630 V/6 kV/2 12 A	300 V/15 A	630 V/6 kV/2 12 A	300 V/15 A



$L = (\text{pole no.} - 1) \times \text{pin spacing} + 8.2 \text{ mm}$
 $L_1 = L - 1.7 \text{ mm}$
 $L_2 = L - 1.2 \text{ mm}$



$L = (\text{pole no.} - 1) \times \text{pin spacing} + 8.2 \text{ mm}$
 $L_3 = L - 0.2 \text{ mm}$
 $L_4 = L_3 + 5.8 \text{ mm}$
 $L_5 = L_3 + 11.8 \text{ mm}$



$L = (\text{pole no.} - 1) \times \text{pin spacing} + 8.2 \text{ mm}$
 $L_1 = L - 1.7 \text{ mm}$
 $L_2 = L - 1.2 \text{ mm}$

Pole No.	Item No.	Pack. Unit	Pole No.	Item No.	Pack. Unit	Pole No.	Item No.	Pack. Unit
Male connector, gray			Male connector with fixing flanges, gray			Male connector with snap-in mounting feet, for 0.6 - 1.2 mm plate thickness, Ø 3.5 mm mounting holes, gray		
2	731-602	100	2	731-602/019-000	50	2	731-602/018-000	100
3	731-603	100	3	731-603/019-000	50	3	731-603/018-000	100
4	731-604	50	4	731-604/019-000	50	4	731-604/018-000	50
5	731-605	50	5	731-605/019-000	50	5	731-605/018-000	50
6	731-606	50	6	731-606/019-000	25	6	731-606/018-000	50
7	731-607	50	7	731-607/019-000	25	7	731-607/018-000	50
8	731-608	25	8	731-608/019-000	25	8	731-608/018-000	25
9	731-609	25	9	731-609/019-000	25	9	731-609/018-000	25
10	731-610	25	10	731-610/019-000	25	10	731-610/018-000	25
11	731-611	25	11	731-611/019-000	10	11	731-611/018-000	25
12	731-612	25	12	731-612/019-000	10	12	731-612/018-000	25
13	731-613	10	13	731-613/019-000	10	13	731-613/018-000	10
16	731-616	10	16	731-616/019-000	10	16	731-616/018-000	10
For cutout dimensions, see page 484, table 1.								

Product Accessories	Page
Mounting adapter for DIN 35 rail, min. length 3 poles (209-137)	475