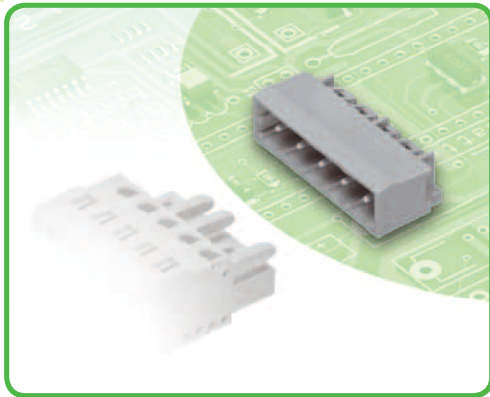


Male Headers with Solder Pins

Pin Spacing 5 mm, 5.08 mm

MCS-MIDI Classic



- Horizontal or vertical PCB mounting via straight or angled solder pins
- 1.2 x 1.2 mm solder pins allow nominal current up to 16 A, enhancing stability of shorter headers
- Enclosed on each side, the pin housing design prevents mismatching
- With coding keys

Technical data:

1 x 1 mm solder pin:

1.2 x 1.2 mm solder pin:

| Pin Spacing | 5 mm / 5.08 mm 0.197 in / 0.2 in | | | 5 mm / 5.08 mm 0.197 in / 0.2 in | | |
|----------------------|-------------------------------------|-------|-------|-------------------------------------|-------|-------|
| | IEC/EN 60664-1 | | | IEC/EN 60664-1 | | |
| Rating per | III | III | II | III | III | II |
| Overtoltage category | III | III | II | III | III | II |
| Pollution degree | 3 | 2 | 2 | 3 | 2 | 2 |
| Rated voltage | 320 V | 320 V | 630 V | 250 V | 320 V | 630 V |
| Rated surge voltage | 4 kV | 4 kV | 4 kV | 4 kV | 4 kV | 4 kV |
| Nominal current | 12 A | 12 A | 12 A | 16 A | 16 A | 16 A |
| Approvals per | UL/CSA | | | UL/CSA | | |
| Use group UL 1059 | B | C | D | B | C | D |
| Rated voltage | 300 V | - | 300 V | 300 V | - | 300 V |
| Nominal current UL | 10 A | - | 10 A | 15 A | - | 10 A |
| Nominal current CSA | 10 A | - | 10 A | 15 A | - | 10 A |

The MCS-MIDI connection system is UL 1977 approved and capable of up to 600 V for factory wiring.

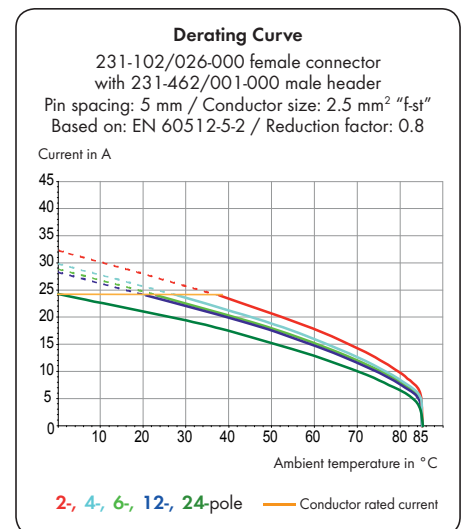
Solder pin data:

| | |
|-----------------------------------|--------------------------------|
| Solder pin: length/width | 5 mm / 1 x 1 mm (straight) |
| Solder pin: length/width | 3.8 mm / 1 x 1 mm (angled) |
| Solder pin: drilled hole diameter | 1.4 ^{+0.1} mm |
| Solder pin: length/width | 5 mm / 1.2 x 1.2 mm (straight) |
| Solder pin: length/width | 3.8 mm / 1.2 x 1.2 mm (angled) |
| Solder pin: drilled hole diameter | 1.7 ^{+0.1} mm |

Material data:

| | |
|--|--|
| Material group | I |
| Insulating material | Nylon 6.6 (PA 6.6) |
| Flammability rating per UL 94 | V0 |
| Lower/Upper temperature limit | -60°C / +100°C |
| Contact material | Electrolytic copper (E _{cu}) |
| Contact plating | tin-plated |
| MCS connectors are also available upon request with gold-plated or partially gold-plated contact surfaces. | |
| Depending on the version requested, "item no. suffix ... /010-000" is added to the "basic item no." | |

MCS - MULTI CONNECTION SYSTEM includes connectors **without** breaking capacity in accordance with IEC 61984. When used as intended, these connectors shall not be connected/disconnected when live or under load. The circuit design should ensure header pins, which can be touched, are not live in unmated condition.



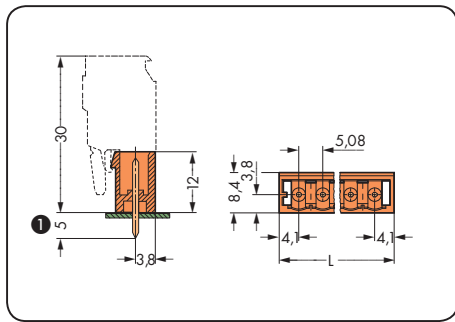
MCS-MIDI accessories:

Page:

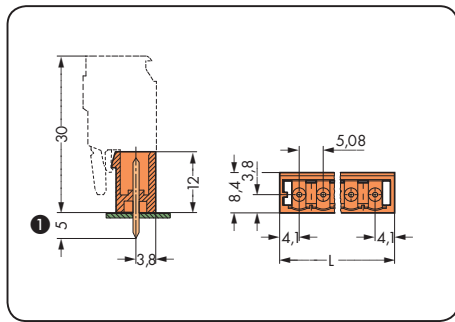
| | |
|-----------------|-----|
| Fixing elements | 469 |
| Separators | 468 |
| Coding keys | 468 |
| Screws | 546 |

Male Headers with Solder Pins MCS-MIDI Classic

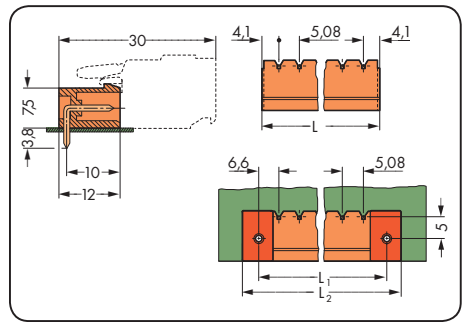
| With 1 x 1 mm straight solder pins Pin spacing 5.08 mm / 0.197 in | | With 1.2 x 1.2 mm straight solder pins Pin spacing 5.08 mm / 0.2 in | | With 1 x 1 mm angled solder pins Pin spacing 5.08 mm / 0.2 in | |
|--|------------|--|------------|--|------------|
| 320 V/4 kV/2 12 A | 300 V/10 A | 320 V/4 kV/2 16 A | 300 V/15 A | 320 V/4 kV/2 12 A | 300 V/10 A |



$L = (\text{pole no.} - 1) \times \text{pin spacing} + 8.2 \text{ mm}$



$L = (\text{pole no.} - 1) \times \text{pin spacing} + 8.2 \text{ mm}$



$L = (\text{pole no.} - 1) \times \text{pin spacing} + 8.2 \text{ mm}$
 $L_1 = L + 5 \text{ mm}$
 $L_2 = L_1 + 7.4 \text{ mm}$

| Pole No. | Item No. | Pack. Unit | Pole No. | Item No. | Pack. Unit | Pole No. | Item No. | Pack. Unit |
|---|-----------------|------------|---|-----------------|------------|---|-----------------|------------|
| Male header with 1 x 1 mm straight solder pins, orange | | | Male header with 1.2 x 1.2 mm straight solder pins, orange | | | Male header with 1 x 1 mm angled solder pins, orange | | |
| 2 | 231-332/001-000 | 200 | 2 | 231-362/001-000 | 200 | 2 | 231-532/001-000 | 200 |
| 3 | 231-333/001-000 | 200 | 3 | 231-363/001-000 | 200 | 3 | 231-533/001-000 | 200 |
| 4 | 231-334/001-000 | 200 | 4 | 231-364/001-000 | 200 | 4 | 231-534/001-000 | 200 |
| 5 | 231-335/001-000 | 200 | 5 | 231-365/001-000 | 200 | 5 | 231-535/001-000 | 200 |
| 6 | 231-336/001-000 | 100 | 6 | 231-366/001-000 | 100 | 6 | 231-536/001-000 | 100 |
| 7 | 231-337/001-000 | 100 | 7 | 231-367/001-000 | 100 | 7 | 231-537/001-000 | 100 |
| 8 | 231-338/001-000 | 100 | 8 | 231-368/001-000 | 100 | 8 | 231-538/001-000 | 100 |
| 9 | 231-339/001-000 | 100 | 9 | 231-369/001-000 | 100 | 9 | 231-539/001-000 | 100 |
| 10 | 231-340/001-000 | 100 | 10 | 231-370/001-000 | 100 | 10 | 231-540/001-000 | 100 |
| 11 | 231-341/001-000 | 100 | 11 | 231-371/001-000 | 100 | 11 | 231-541/001-000 | 100 |
| 12 | 231-342/001-000 | 100 | 12 | 231-372/001-000 | 100 | 12 | 231-542/001-000 | 100 |
| 13 | 231-343/001-000 | 50 | 13 | 231-373/001-000 | 50 | 13 | 231-543/001-000 | 50 |
| 14 | 231-344/001-000 | 50 | 14 | 231-374/001-000 | 50 | 14 | 231-544/001-000 | 50 |
| 15 | 231-345/001-000 | 50 | 15 | 231-375/001-000 | 50 | 15 | 231-545/001-000 | 50 |
| 16 | 231-346/001-000 | 50 | 16 | 231-376/001-000 | 50 | 16 | 231-546/001-000 | 50 |
| 17 | 231-347/001-000 | 50 | 17 | 231-377/001-000 | 50 | 17 | 231-547/001-000 | 50 |
| 18 | 231-348/001-000 | 50 | 18 | 231-378/001-000 | 50 | 18 | 231-548/001-000 | 50 |
| 19 | 231-349/001-000 | 50 | 19 | 231-379/001-000 | 50 | 19 | 231-549/001-000 | 50 |
| 20 | 231-350/001-000 | 50 | 20 | 231-380/001-000 | 50 | 20 | 231-550/001-000 | 50 |
| 21 | 231-351/001-000 | 50 | 21 | 231-381/001-000 | 50 | 21 | 231-551/001-000 | 50 |
| 22 | 231-352/001-000 | 50 | 22 | 231-382/001-000 | 50 | 22 | 231-552/001-000 | 50 |
| 23 | 231-353/001-000 | 50 | 23 | 231-383/001-000 | 50 | 23 | 231-553/001-000 | 50 |
| 24 | 231-354/001-000 | 50 | 24 | 231-384/001-000 | 50 | 24 | 231-554/001-000 | 50 |

① MCS-MIDI male headers with straight solder pins are also available with 3.8 mm pin projection. Replace item no. suffix .../001-000 with .../046-000.